

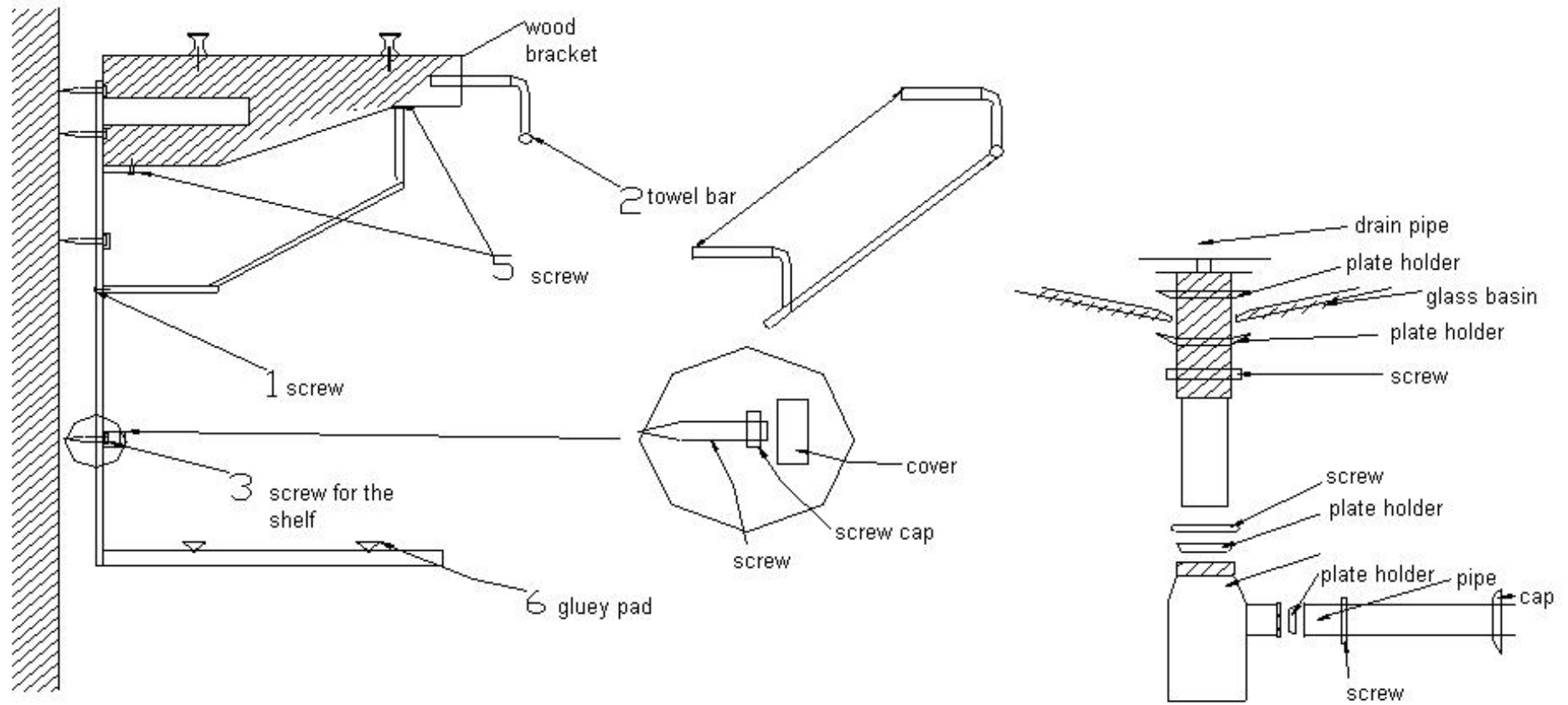


## DLVG-101 Installation Instructions



### **Mounting Process:**

1. Locate the desired height to mount the sink brackets. Place a mark.
2. Make sure the mounting screws go inside the studs or any reinforcement behind the wall to withstand the weight of the glass countertop with the glass basin.
3. Place the bottom shelf on the brackets to determine at which distance to drill the holes for the wall mounting brackets. Mark the drill holes for the brackets.
4. Secure the wall mounting brackets to the wall.
5. Place the towel bar and fasten it.
6. Before putting the glass countertop, make sure you put the rubber gaskets in between the metal glass holders and the glass countertop.
7. Place the mounting ring, washer and the glass basin on top of the glass countertop.
8. Connect trap to drain assembly. Hand tight to check alignment.
9. Secure the faucet in place. Connect hot and cold water lines.
10. Mount the mirror at desired position and attach the mirror shelves next to the mirror.



**Product Description**

Model No. G101

- (1) 12mm golden color glass bowl
- (2) 19mm arc glass counter top
- (3) Stainless steel and solid wood bracket
- (4) Wooden color glass shelf
- (5) Chrome finish towel
- (6) Matching mirror and mirror shelf
- (7) Pop-up drain and T-trap
- (8) Optional faucet
- (9) Mirror dimensions: 35.43" x 21.65"

Note: Dimensions shown for location of supplies and waste are suggested.

