

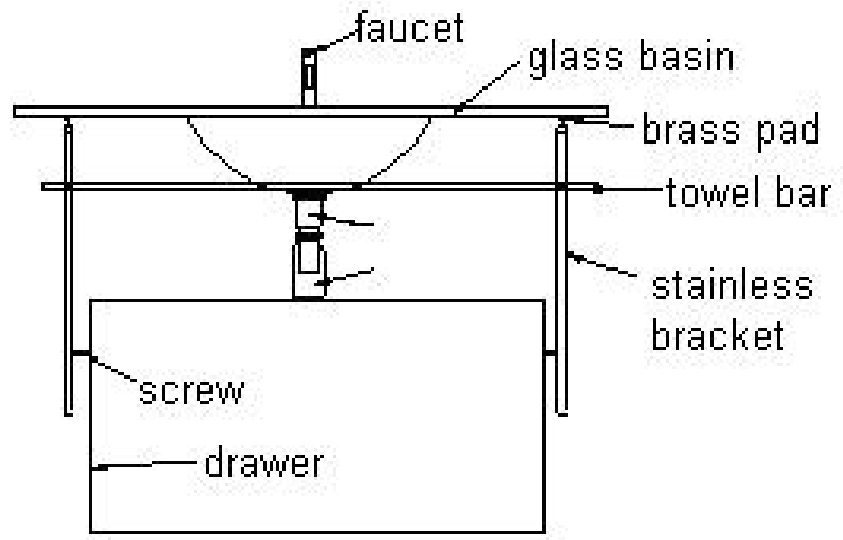
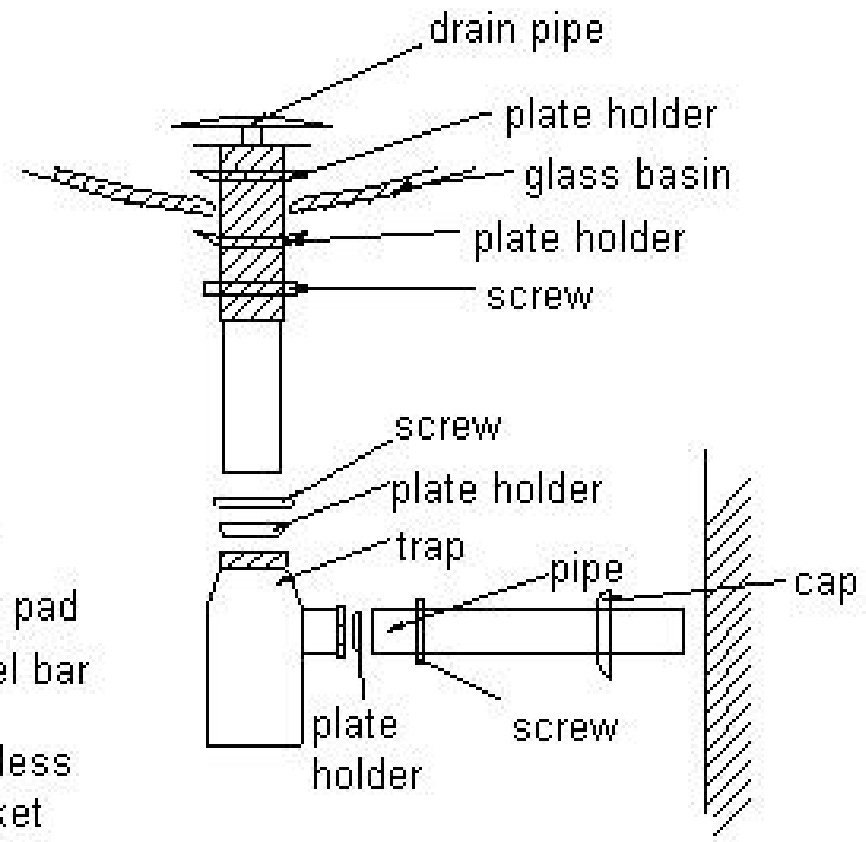
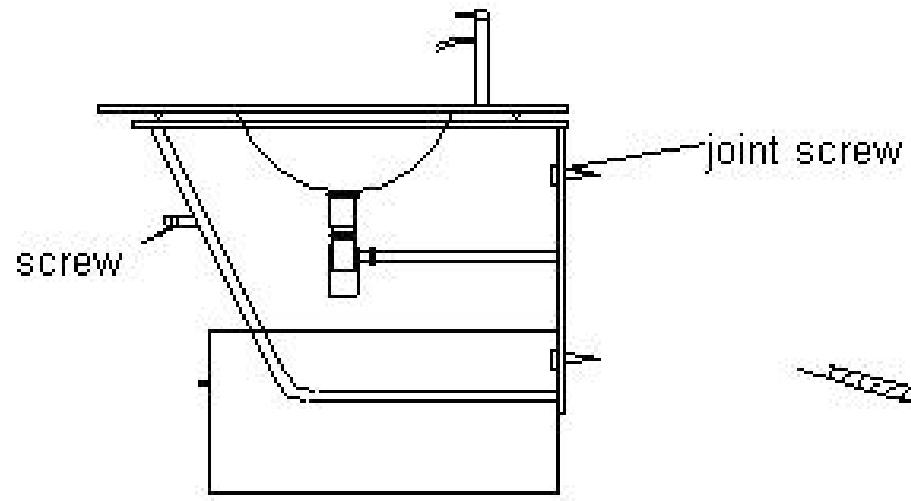


DLVG-108 Installation Instructions



Mounting process:

1. Locate the desired height to mount the sink brackets. Place a mark.
2. Fasten one of the wall brackets to the drawer. Locate the position of the metal brackets to further locate the drill holes. Make sure the mounting screws go inside the studs or any reinforcement behind the wall to withstand the weight of the glass countertop with the glass basin.
3. You will need to disassemble the drawer from the wall brackets to secure the wall brackets with the joint screws.
4. Mark the drill holes for the metal wall brackets and secure them to the wall with joint screws.
5. Place the countertop with the integrated sink on top of the wall brackets keeping in mind to place the rubber gaskets in between the brackets and the glass.
6. Connect the plumbing and hook up hot and cold water supply.
7. Locate the mirror at the desirable position and drill the holes for the screws.
8. Put the cabinet together.



Product Description

Model No. G108

- (1) 19mm clear one piece glass basin
- (2) Stainless steel bracket
- (3) Wooden drawer
- (4) Chrome finish towel
- (5) Matching mirror
- (6) Black walnut color cabinet
- (7) Pop-up drain and T-trap
- (8) Optional faucet
- (9) Mirror dimensions: 35.43" x 31.5"

Note: Dimensions shown for location of supplies and waste are suggested.

