

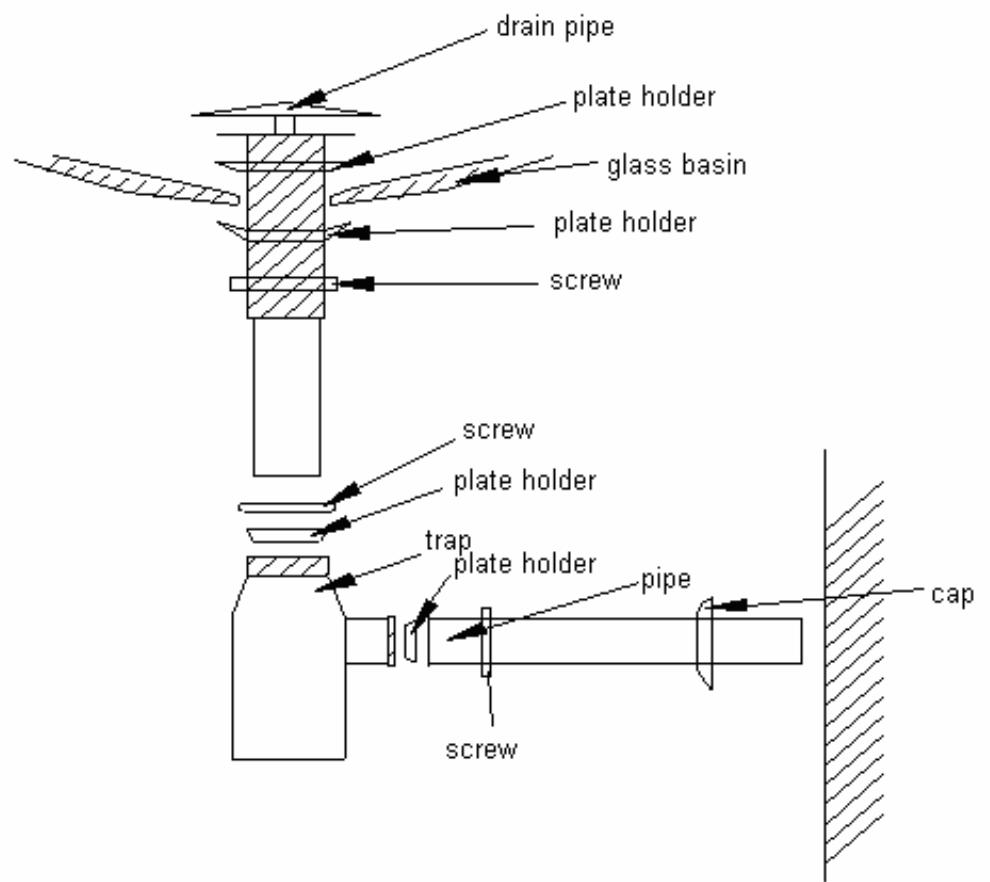
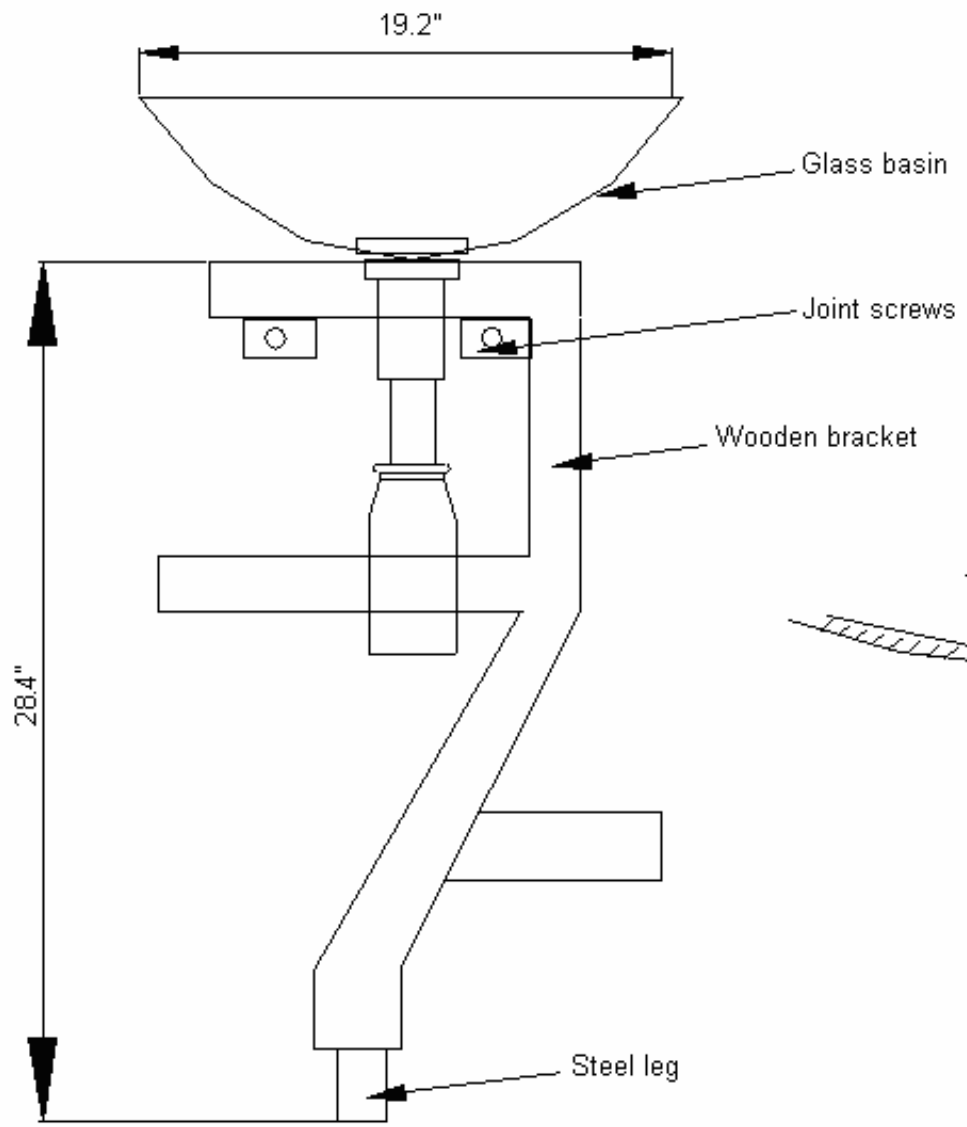


## DLVG-208 Installation Instructions



### **Mounting Process:**

1. Secure the stainless steel legs.
2. Fasten the wall brackets to the wall to secure the wooden stall with shelves.
3. Place the mounting ring, washer and the glass basin on top of the glass countertop.
4. Connect trap to drain assembly. Hand tight to check alignment.
5. Secure the faucet in place. Connect hot and cold water lines.
6. Mount the mirror at desired position.



**Product Description**

**Model No. DLVG-208**

- (1) 12mm transparent glass bowl
- (2) Solid wood bracket
- (3) Chrome finish towel
- (4) Matching mirror and light
- (5) Pop-up drain and T-trap
- (6) Optional faucet
- (7) Mirror dimensions: 35.43" x 23.62"

**Note:** Dimensions shown for location of supplies and waste are suggested.

