

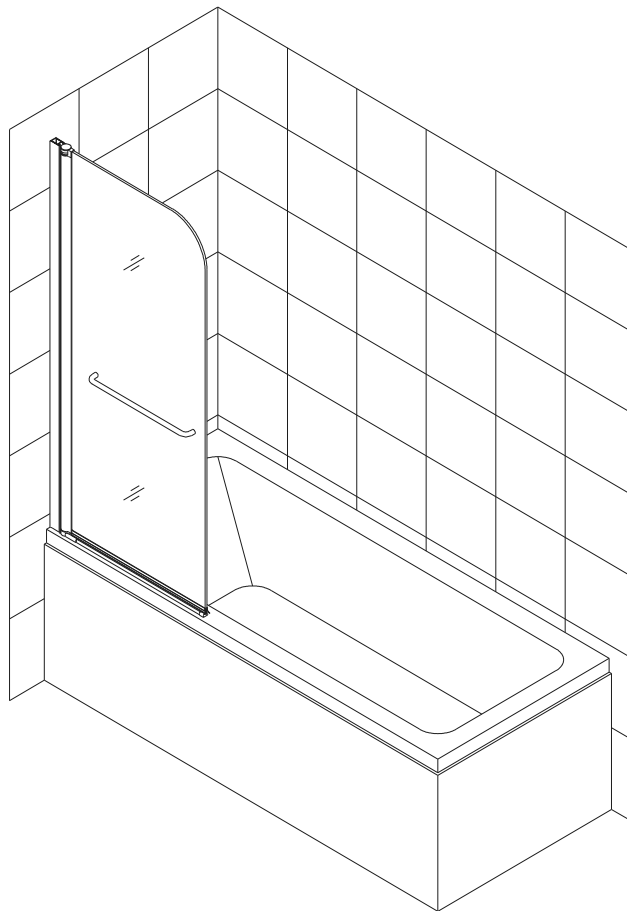


AQUASWING

SHOWER DOOR INSTALLATION INSTRUCTIONS

IMPORTANT

DreamLine® reserves the right to alter, modify or redesign products at any time without prior notice. For the latest up-to-date technical drawings, manuals or additional details please refer to your model's web page on DreamLine.com.



Left hand installation shown

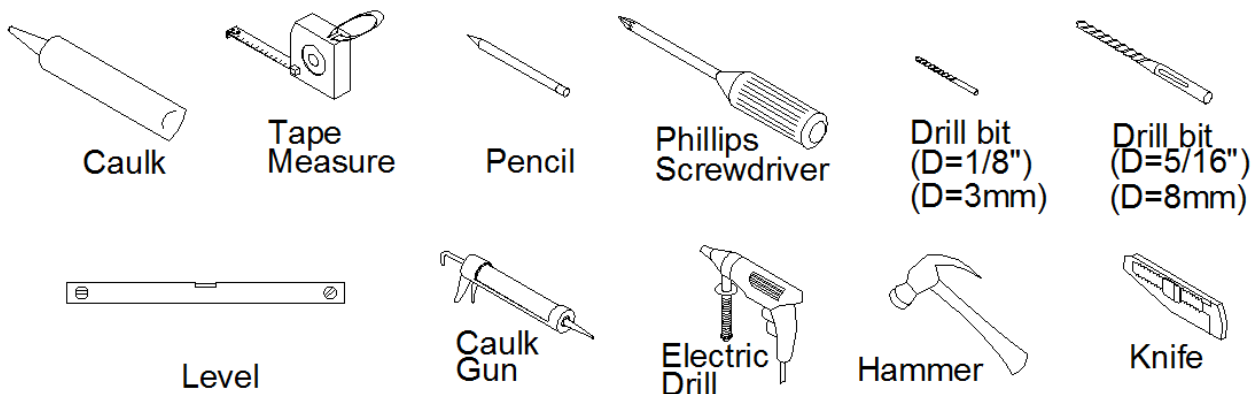
Please read these instructions carefully before installing. If you have any questions regarding installation, please contact our technical support specialists Monday through Friday 8:00 AM – 7:00 PM EST at Phone: 1-866-731-2244, Fax: 1-866-857-3638 or e-mail our technical support group at Support@DreamLine.com

For more information about DreamLine® products please visit DreamLine.com

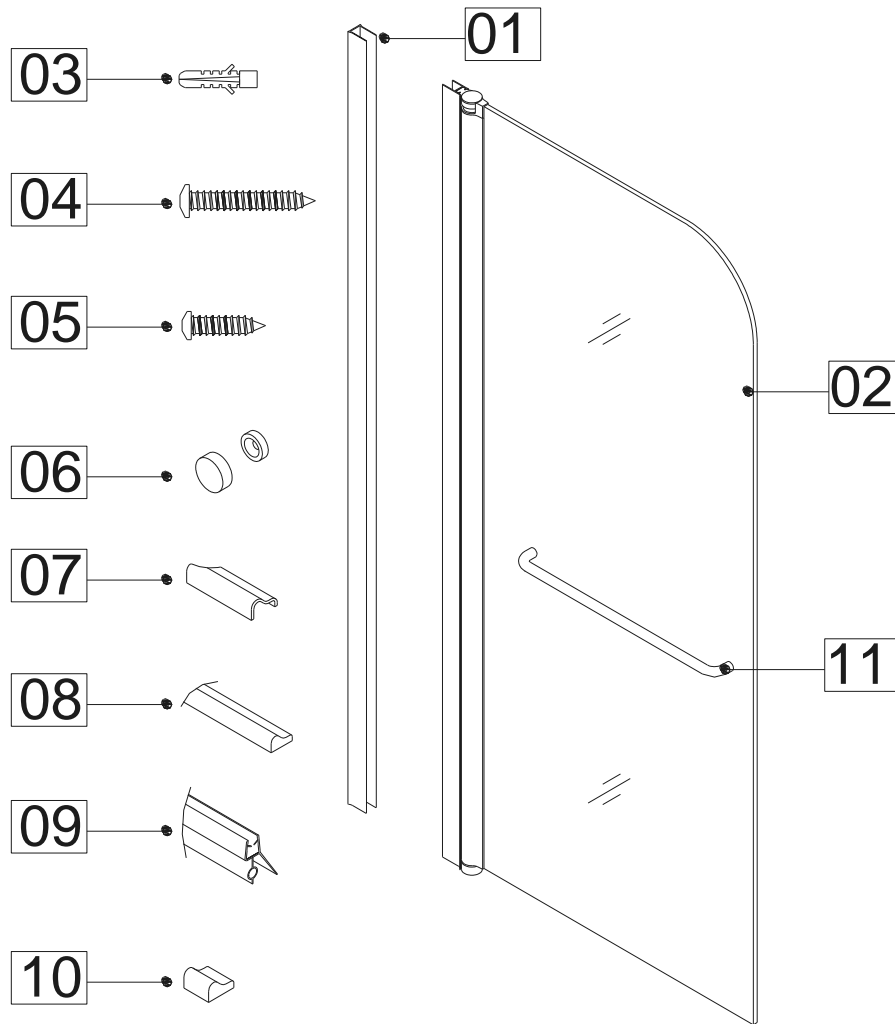
Preparation

1. Prior to installation, examine all boxes and packages for shipping damage and compare the piece count with your packing slip. After opening all boxes and packages read this introduction carefully. Check that all of the needed parts are included in the package by checking off the components on the "Detailed Diagram of Shower Door Components". If the unit has been damaged, has a finishing defect, or has missing parts, please contact our customer support department within **3 business days** of the delivery date. Please note that **DreamLine® will not replace any damaged products or missing parts free of charge after 3 business days or if the product has been installed.** Feel free to contact DreamLine® if you have any questions, and please provide an order number, job name or other proof of purchase to help us identify your original order.
2. **Please note that you should consult your local building codes with questions on installation compliance standards. Building and plumbing codes may vary by location, and DreamLine® is not responsible for code compliance standards for your project and will not accept any returns.**
3. Please make sure that prior to beginning the installation, the surfaces are leveled and solid and will be able to support the total weight of the unit. Also make sure the walls are at right angles. Irregular installation surface level or improper angle of side walls will result in serious problems for your installation. Please, note that some adjustments and drilling might be necessary during the installation process.
4. **This model has 3/8" of adjustment for out-of-plumb wall conditions within the wall profiles.**

Tools Required



Detailed Diagram of Shower door Components



Packing list

01	Wall profile	1pc	07	Threshold connector (left/right)	1set
02	Glass door with Hinged glass profile	1set	08	Aluminum threshold	1pc
03	Wall anchor	4pcs	09	Bottom anti-water strip	1pc
04	Big head screw ST4.2x55	4pcs	10	Threshold end cover (left/right)	1set
05	Round head screw ST4.2x16	3pcs	11	Handle	1pc
06	Decorative plug and washer	3sets			

NOTE: Unpack your unit carefully and inspect it. Identify all parts using the detailed diagram and packing list in this manual as a reference. Before discarding the carton, check for small hardware bags that tend to fall to the bottom of the box. If any parts are damaged or missing, please contact DreamLine® for replacement. The shipping boxes may contain extra parts not used in your model configuration.

NOTE: Retain these installation instructions for future reference.

Shower door installation

1. Prepare your finished opening for installation. Clean all surfaces and remove any debris or construction materials. See Fig 1.

NOTE: This model is reversible for left or right hand installation. This manual will show the left hand installation. For a right hand installation, simply begin on the opposite wall and reverse the orientation of the parts as necessary.

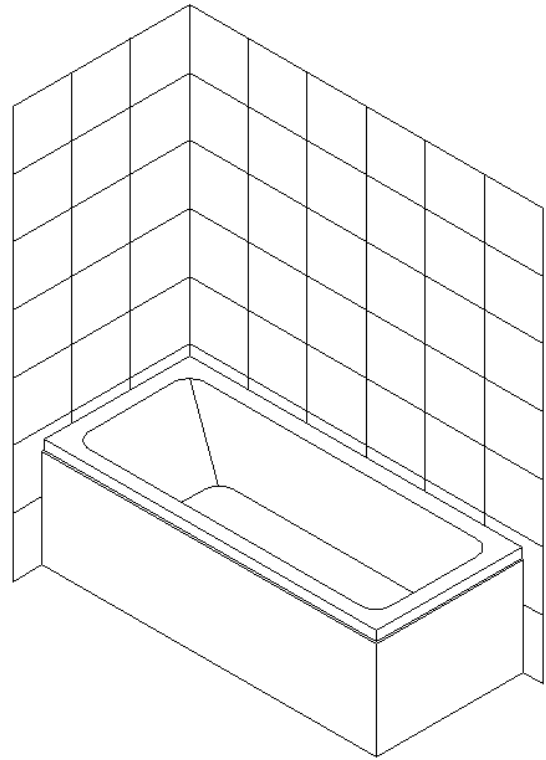


Fig 1

2. Using a level, position the **Wall profile (01)** on the tub deck and against the wall, in line with your threshold/tub deck. This unit requires 1" of flat threshold space for installation
See Fig 2.

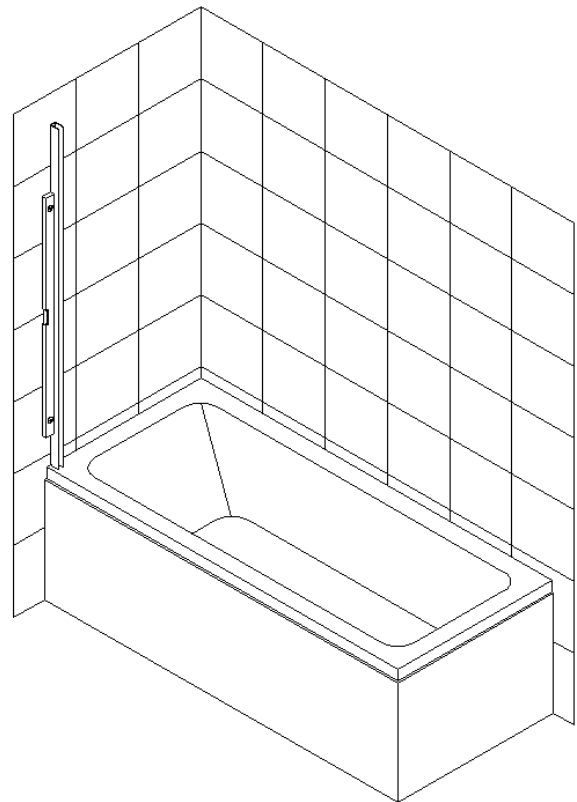


Fig 2

3. Mark the drill holes on the wall through the predrilled holes in the **Wall profile (01)**. Now drill holes in the wall using a **Φ5/16 drill bit** and insert the **Wall anchors (03)**. Apply silicone along the back of the **Wall profile** and into the drill holes. Fasten the **Wall profile** to the wall with the **Big head Screw ST4.2x40 (04)**. See Fig 3.

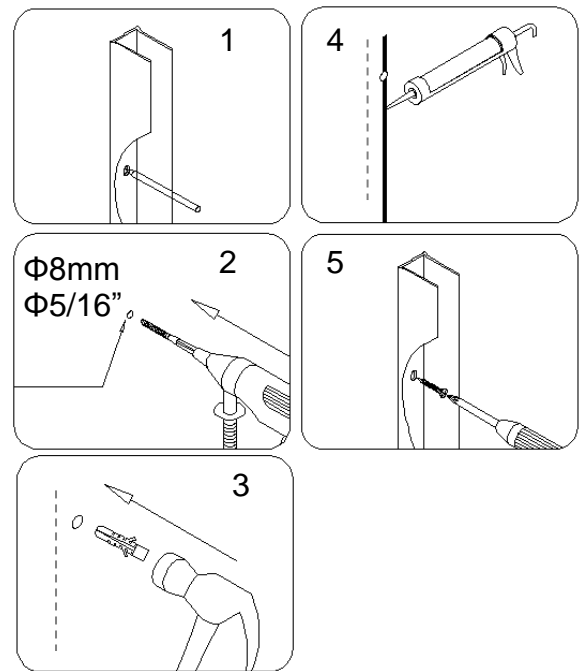
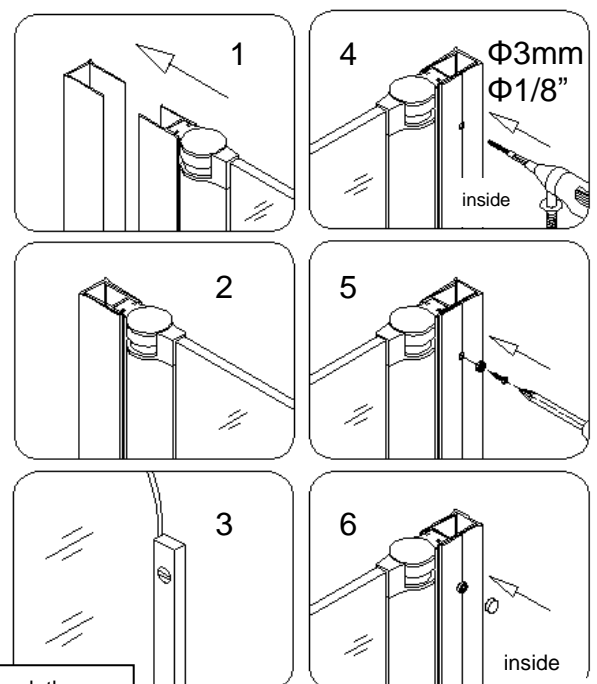


Fig 3

4. Slide the assembled **Glass door with Hinged glass profile (02)** into the groove of the **Wall profile (01)** and level it vertically (Fig 4.3). Make final adjustment (up to 1/2") if required keeping the door glass level. Drill the holes through the first layer of the **Wall profile (01)** and into the **Hinged glass profile** using an **Φ1/8 drill bit**. Secure the **Wall profile** and the **Hinged Glass profile** with the **Round head screws ST4.2x16 (05)** and washers. Cover the screw heads with the **Decorative Covers (06)**. See Fig 4.



Check the installed door glass for level

Fig 4

5. Snap the **Aluminum threshold (08)** into the **Threshold connector (07)** and **Threshold end cover (10)**.

Left hand installation shown

Run a bead of Waterproof silicone along the bottom of the **Aluminum threshold**. Attach the **Aluminum threshold** onto the tub, parallel to the tub edge with the **Threshold connector** tight to the bottom and even with the outside of the **Hinged glass profile** (Fig. 5.4). Run a bead of Waterproof silicone along the connection of the **Threshold connector** and Hinged glass profile. See Fig 5.

Note: Allow the silicone to fully cure before operating the door to prevent dislodging the threshold from the tub deck. You may even consider using painter's tape or similar to hold the threshold tightly in place while it sets.

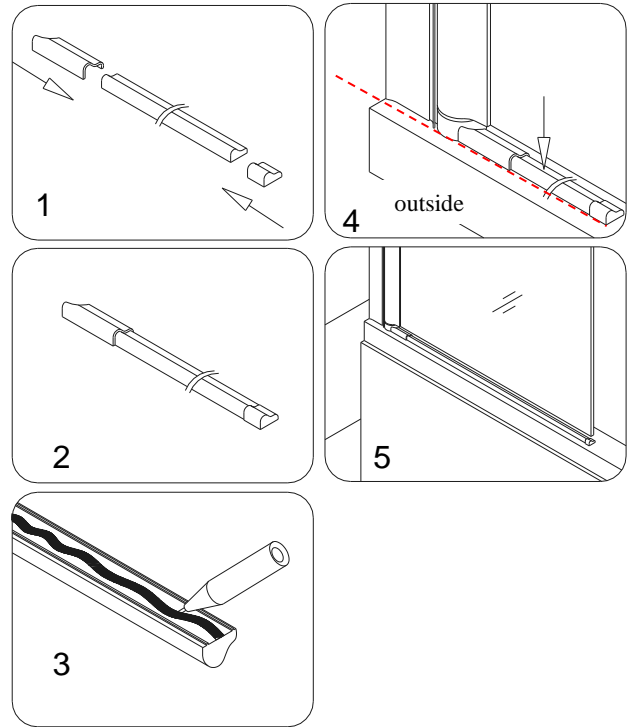


Fig 5

6. After the silicone fully sets, attach the **Bottom anti-water strip (09)** to the bottom edge of the **Glass door**.

See Fig 6.

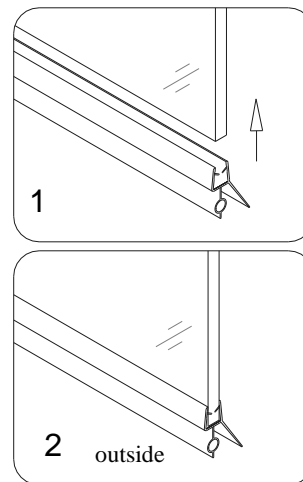


Fig 6

7. Mount the **Handle (11)** onto the outside of the **Glass door (02)**. See Fig 7 and Fig 8.

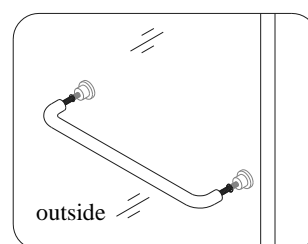


Fig 7

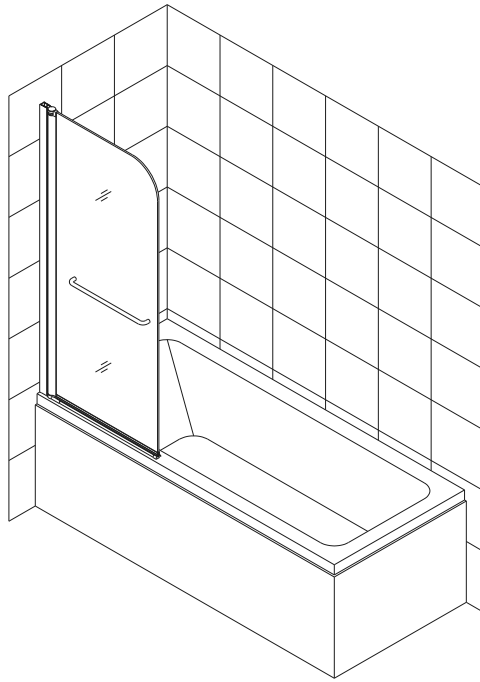


Fig 8

8. Allow 24 hours for the silicone to fully cure before using your new shower.

See Fig 9 and See Fig 10.

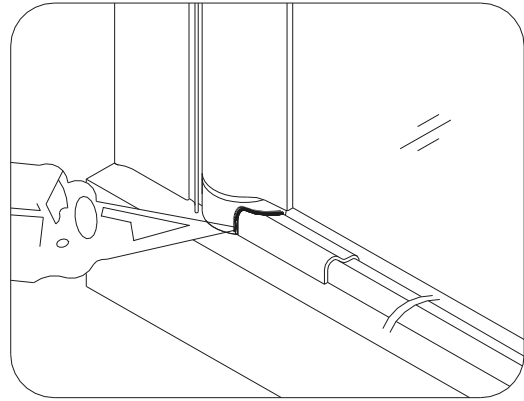


Fig 9

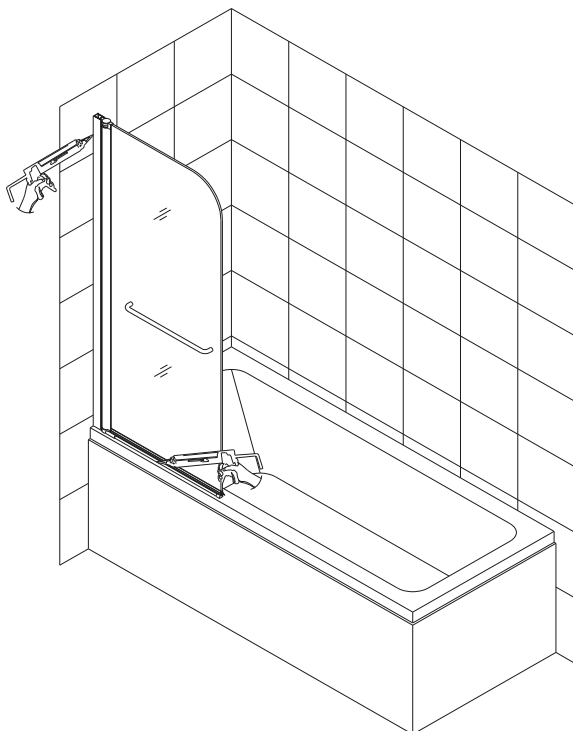
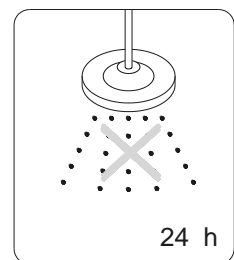
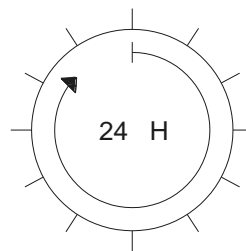


Fig 10



Product Maintenance

BASES and BACKWALLS: To ensure a long life for your acrylic back walls: wipe them off after each use with a soft cloth. To clean the acrylic back walls use non-abrasive sprays or cream based cleaners. Never use abrasive cleansers, metal brushes or scrapers that could scratch or dull the surface.

GLASS: To ensure long lasting life for your glass shower products: wipe them off after each use with a soft cloth. Rinse and wipe off the glass using either a soft cloth or a squeegee to prevent soap buildup and water spots. To prevent scratching the surface: never use abrasive cleaners and cleaning products that contain scouring agents. Never use bristle brushes or abrasive sponges.

HARDWARE: To ensure a long lasting finish: wipe off the metal parts after each use with a soft cloth. Do not use abrasive cleaners or cleaning products containing ammonia, bleach or acid. If accidentally used, rinse the surface as soon as possible to prevent finish peeling or corrosion. After cleaning the polished finishes, rinse thoroughly and wipe dry with soft cloth. Never use an abrasive sponges or cloth, steel wool or wired brushes as these may permanently scratch the surface.



TEL: [866-731-2244](tel:866-731-2244)

FAX: [866-857-3638](tel:866-857-3638)

DREAMLINE.COM

For more information on [DreamLine® Shower Doors](#) and [Enclosures](#) please visit DreamLine.com