

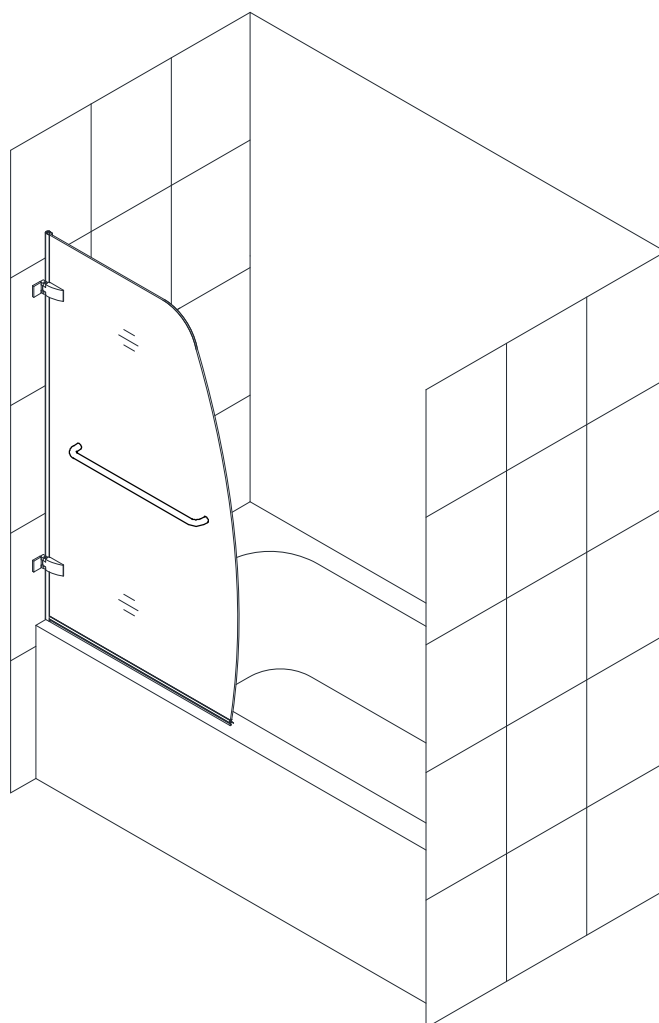


## AQUA UNO

### TUB DOOR INSTALLATION INSTRUCTIONS

#### IMPORTANT

DreamLine® reserves the right to alter, modify or redesign products at any time without prior notice. For the latest up-to-date technical drawings, manuals or any other details please refer to your model's web page on [BathAuthority.com](http://BathAuthority.com)



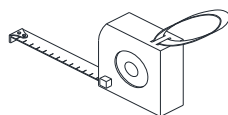
**Please read these instructions carefully before installing. If you have any questions regarding installation, please contact our technical support specialists Monday through Friday 8:00 AM – 7:00 PM EST at Phone: 1-866-731-2244, Fax: 1-866-857-3638 or e-mail our technical support group at [Support@BathAuthority.com](mailto:Support@BathAuthority.com)**

**For more information about DreamLine® products please visit [www.BathAuthority.com](http://www.BathAuthority.com)**

## **Preparation**

1. Prior to installation, examine all boxes and packages for shipping damage and compare the piece count with your packing slip. After opening all boxes and packages read this introduction carefully. Check that all of the needed parts are included in the package by checking off the components on the "Detailed Diagram of Shower Door Components". If the unit has been damaged, has a finishing defect, or has missing parts, please contact our customer support department within **3 business days** of the delivery date. **Please note that DreamLine® will not replace any damaged products or missing parts free of charge after 3 business days or if the product has been installed.** Feel free to contact DreamLine® if you have any questions, and please provide an order number, job name or other proof of purchase to help us identify your original order.
2. If this unit is going to be installed in a new construction, please, install all of the required plumbing and drainage before installing the shower. **Use a competent and licensed (if required by local code) plumber for all plumbing installation.**
3. Please note that you should consult your local building codes with questions about installation compliance standards. **Building and plumbing codes may vary by location, and DreamLine® is not responsible for code compliance standards for your project and will not accept any returns.**
4. Please make sure that prior to beginning the installation, the surfaces are leveled and solid and will be able to support the total weight of the unit. Also make sure the walls are at right angles. Irregular installation surface level, radius corners or improper angle of side walls will result in serious problems for your installation. Please, note that some adjustments and drilling may be necessary during the installation process.
5. This model does not have any adjustment for out-of-plumb conditions. Please check your opening with a level prior to beginning installation.
6. DO NOT attach the handle to the glass until instructed to do so in step #5. DO NOT attempt to lift the glass by the handle as this may result in damage to the glass and/or serious personal injury. Use an assistant or a professional-grade glass suction cup if necessary.

## **Tools Required**



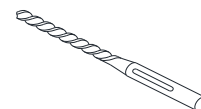
Tape Measure



Pencil



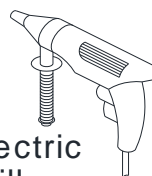
Phillips Screwdriver



Drill bit  
(Ø 5/16")



Level

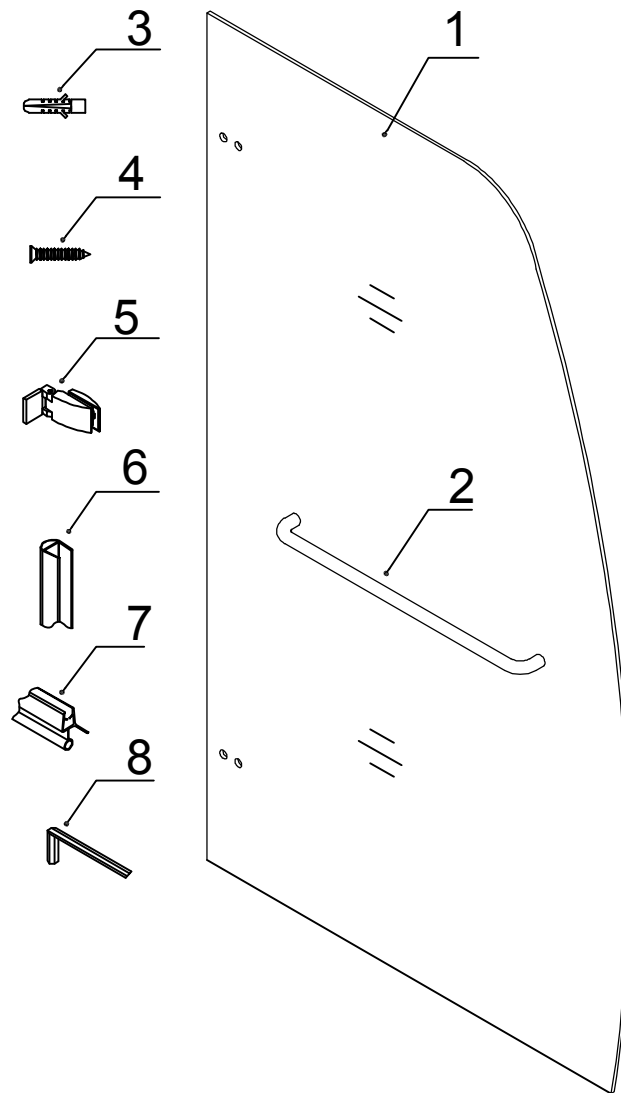


Electric Drill



Hammer

## Detailed Diagram of Tub Door Components



### Packing List

01	Glass door	1pc	05	Hinge	2pcs
02	Handle	1pc	06	Side anti-water strip	1pc
03	Wall anchor	6pcs	07	Bottom anti-water strip	1pc
04	Flat head screw ST4.2 X 60	6pcs	08	2mm, 4mm Hex wrench	1set

**NOTE:** Unpack your unit carefully and inspect it. Lay it out and identify all parts using the detailed diagram and packing list in this manual as a reference. Before discarding the carton, check for small hardware bags that may have fallen to the bottom of the box. If any parts are damaged or missing, please contact DreamLine® for replacement. The shipping boxes may contain extra parts not used in your model configuration.

**NOTE:** Retain these installation instructions for future reference.

## Tub Door Installation

1. Assemble the **Hinges (05)** onto the Glass door (01) using the pre-drilled holes and the bolts with the provided decorative cover.

To remove the decorative cover and reveal the bolts, loosen the set screw on the back side of the decorative cover using the **2mm Hex Wrench (08)**.

See Fig. 1 for details (as shown from the outside)

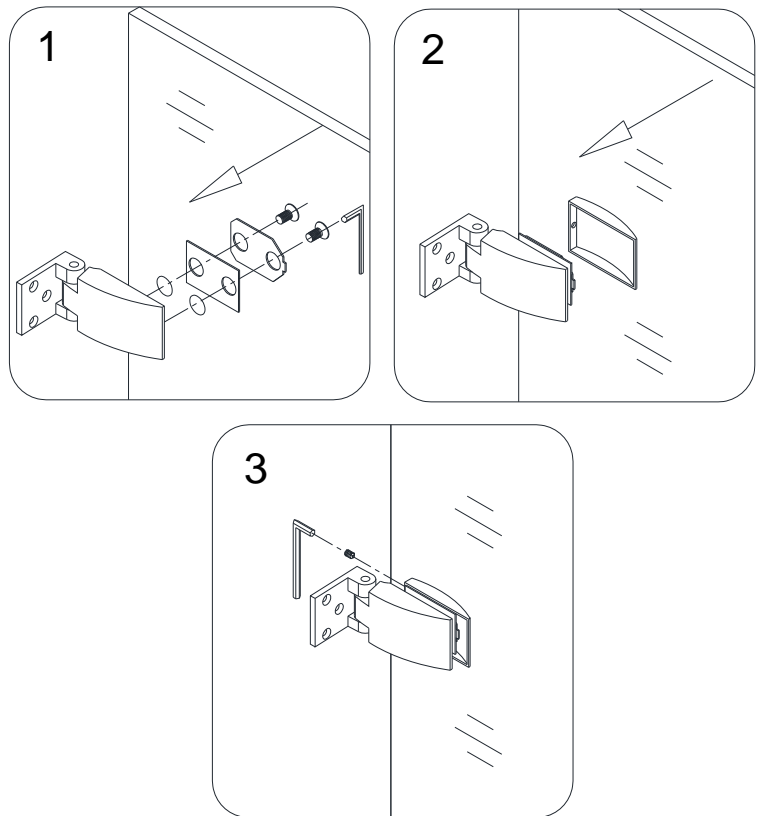


Fig. 1

2. Place a 5/8" thick wood or plastic shim on the bathtub deck to allow for proper spacing. Remove the decorative cover from the wall-connecting plate of the hinges to expose the holes for the wall connection. (Use a flat screw driver to pop the decorative cover open if necessary.)

Take the **Glass door (01)** with the assembled **Hinges (05)** and place it onto the 5/8" shim. Push the door with the hinged side against the wall and adjust its position. Check for plumb using a level.

**NOTE:**

Make sure that the door is leveled vertically.

See Fig. 2 for details.

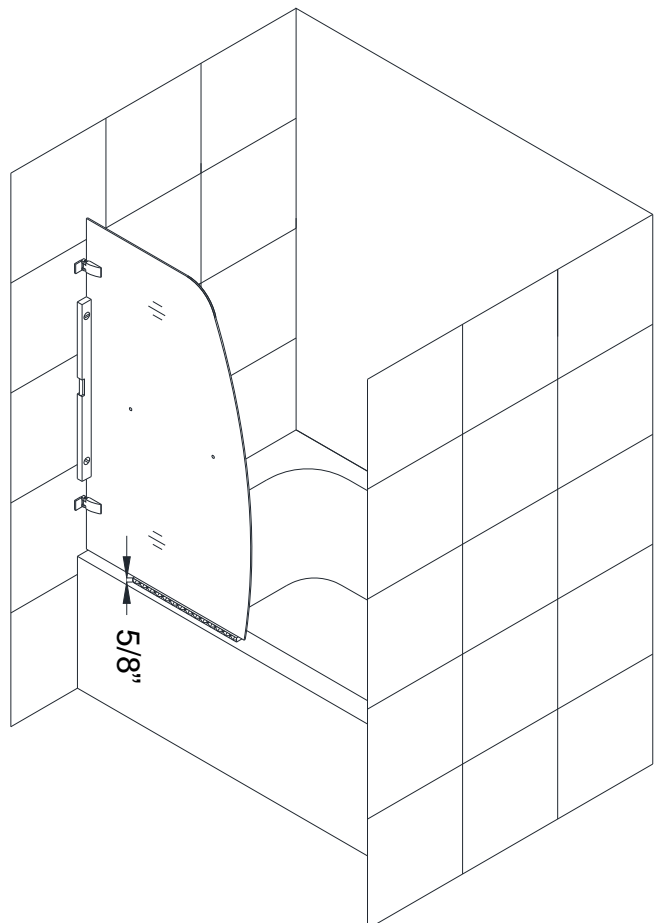


Fig. 2

3. Once the door is leveled, mark the holes for drilling on the wall.  
Set the **Glass door (01)** aside and drill the holes using a **Ø5/16" drill bit**. Insert the **Wall anchors (03)**.

See Fig. 3 for details.

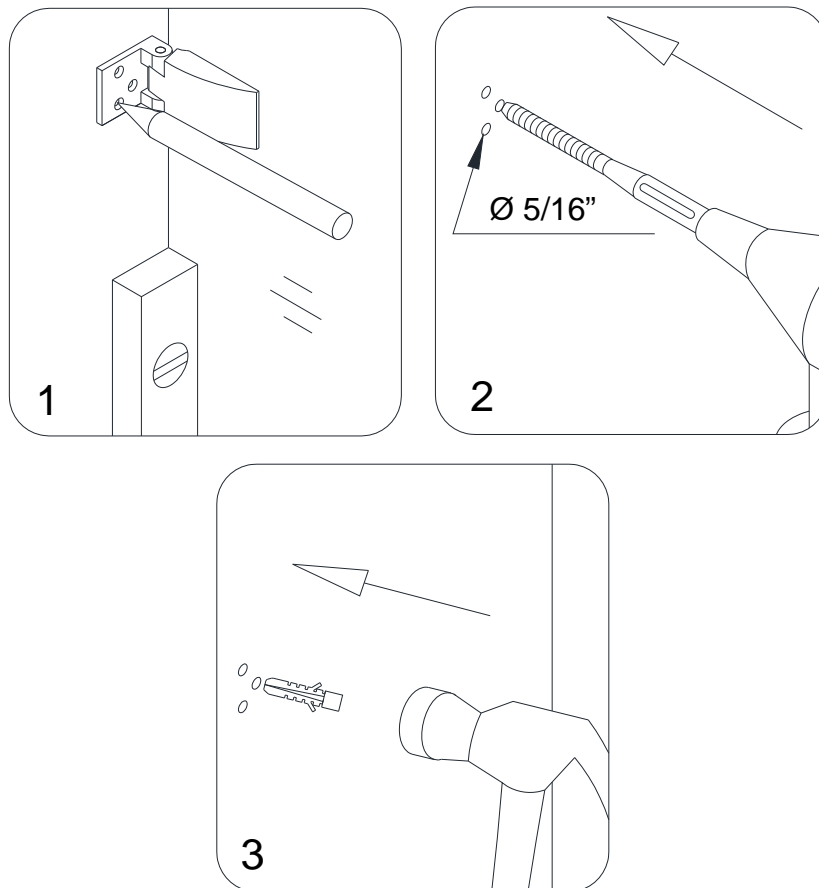


Fig. 3

4. Place the **Glass door (01)** back in to position and secure the **Hinges (05)** to the wall using the **Flat head screw ST5×60 (04)**.

Snap the decorative covers back onto the wall plates.

See Fig. 4 for details.

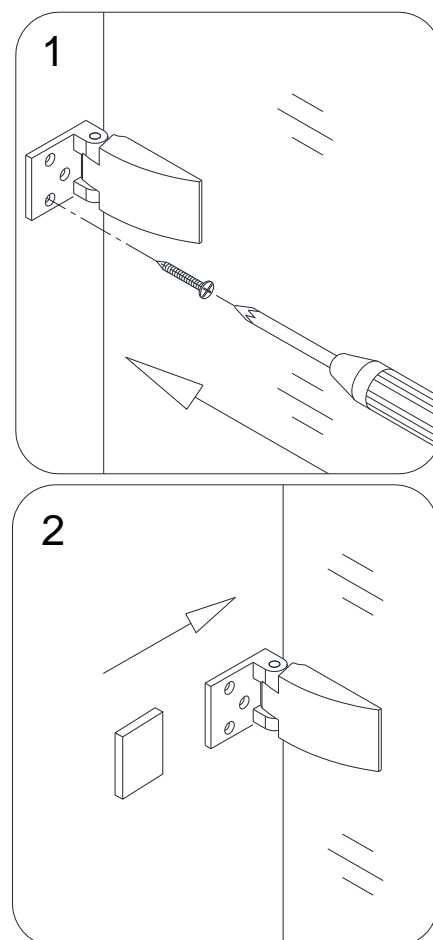


Fig. 4

5. Remove the 5/8" shims and open the door.

Attach the **Side anti-water strip (06)** over the vertical edge of the **Glass door (01)**.

Attach the **Bottom anti-water strip (07)** onto the bottom edge of the **Glass door (01)**.

Install the **Handle (02)** through the pre-drilled holes on the **Glass door (01)**.

See Fig. 5 and Fig. 6 for details.

**TIP:** Using a razor knife, notch the **Side anti-water strip (06)** at the bottom to fit around the **Bottom anti-water strip (07)** to prevent a gap at the corner.

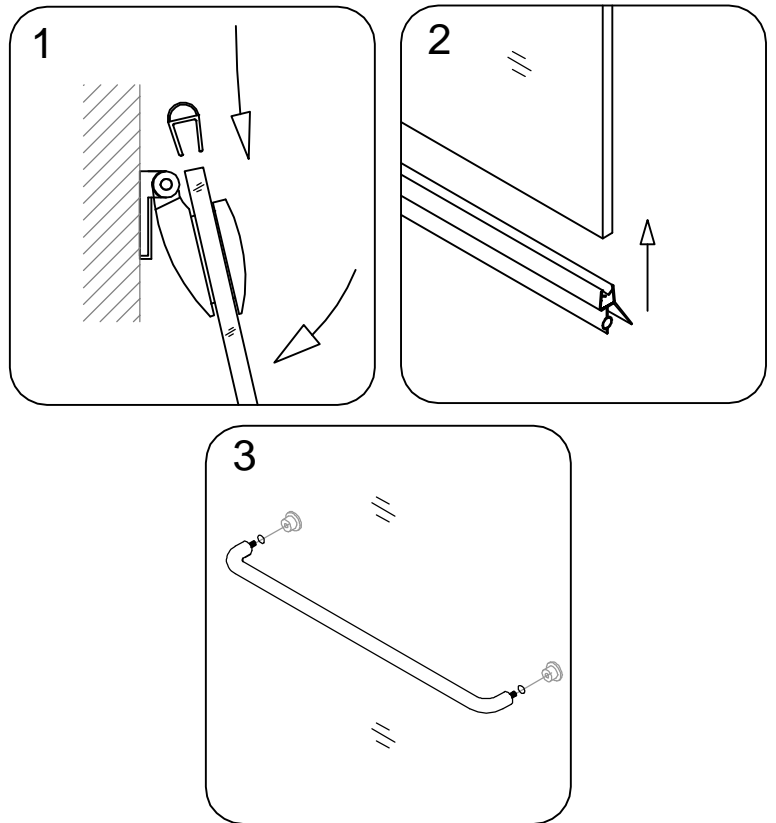


Fig. 5

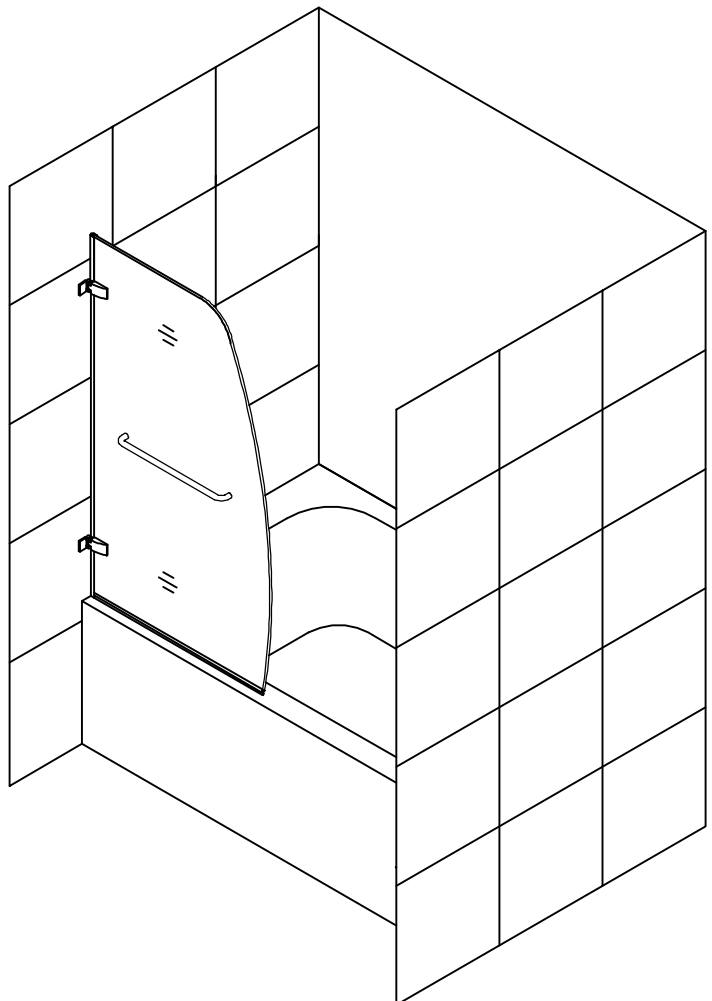


Fig. 6

## **Product maintenance**

**BASES and BACKWALLS:** To ensure a long life for your acrylic back walls: wipe them off after each use with a soft cloth. To clean the acrylic back walls use non-abrasive sprays or cream based cleaners. Never use abrasive cleansers, metal brushes or scrapers that could scratch or dull the surface.

**GLASS:** To ensure long lasting life for your glass shower products: wipe them off after each use with a soft cloth. Rinse and wipe off the glass using either a soft cloth or a squeegee to prevent soap buildup and water spots. To prevent scratching the surface: never use abrasive cleaners and cleaning products that contain scouring agents. Never use bristle brushes or abrasive sponges.

**HARDWARE:** To ensure a long lasting finish: wipe off the metal parts after each use with a soft cloth. Do not use abrasive cleaners or cleaning products containing ammonia, bleach or acid. If accidentally used, rinse the surface as soon as possible to prevent finish peeling or corrosion. After cleaning the shiny finishes, rinse thoroughly and wipe dry with soft cloth. Clean stainless steel surfaces at least once a week. When applying stainless steel cleaner or polish, work with (not across) the grain. Never use abrasive sponge or cloth, steel wool or wired brushes.



---

TEL: 866-731-2244  
FAX: 866-857-3638  
[WWW.BATHAUTHORITY.COM](http://WWW.BATHAUTHORITY.COM)

For more information on DreamLine® Shower Doors and Enclosure please visit [www.BathAuthority.com](http://www.BathAuthority.com)