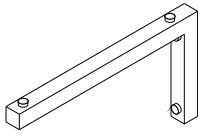
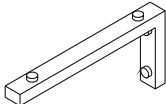
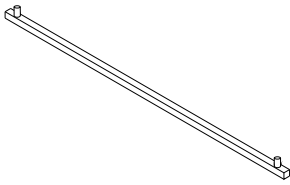
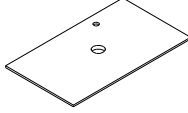
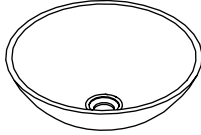
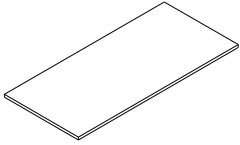
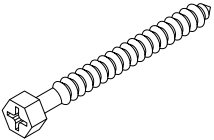
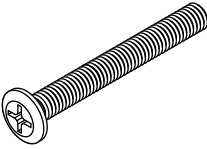
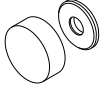
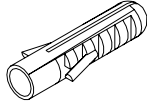
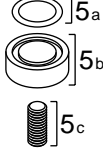


A  L&R	B  L&R	C 	D 	E  Bowl and mounting ring set are optional	F 
Base Bracket 2PCS	Shelf Bracket 2PC	Towel bar 1PC	Countertop 1PC	E: Bowl 1PC	Glass shelf 1PC

1 	2 	3 	4 	5 
Wood screw 4PCS	Bolt 2PCS	Cover set 4PCS	Anchors 4PCS	a: "O" Ring 8pcs b: Glass Support 8pcs c: Bolt 8pcs

! Need to have at least one stud or wall support !

