

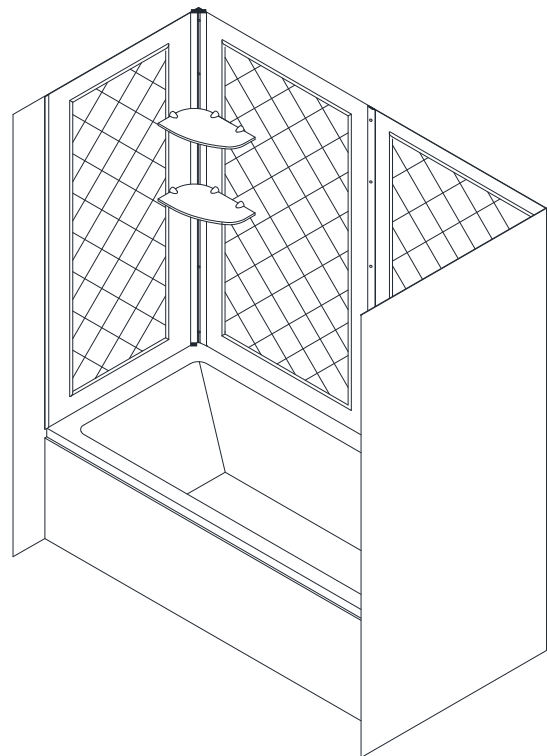
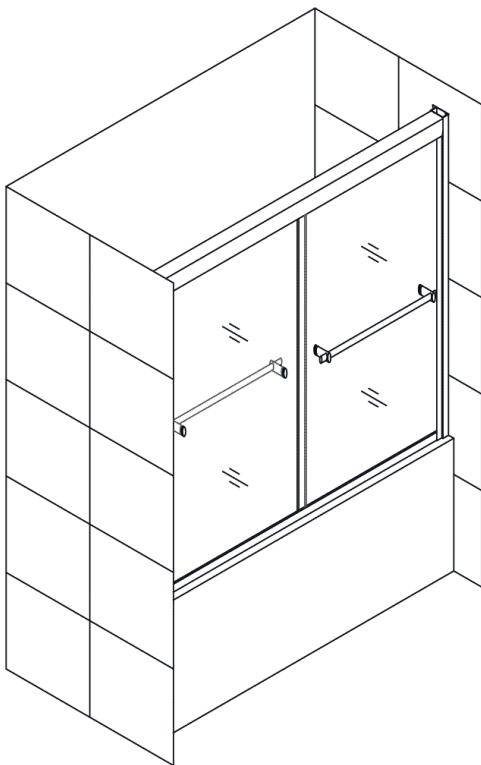


Duet Tub Door & QWALL-TUB Kit

Tub Door AND SHOWER BACKWALLS KIT INSTALLATION INSTRUCTIONS

IMPORTANT

DreamLine™ reserves the right to alter, modify or redesign products at any time without prior notice. For the latest up-to-date technical drawings, manuals or any other details please refer to the support.BathAuthority.com web page.



STEP 1: Install Shower Backwalls

[Shower Backwalls Installation Instructions](#)

STEP 2: Install Shower Door

[Shower Door Installation Instructions](#)

Please read these instructions carefully before installing. If you have any questions regarding installation, please call our technical support specialists Monday through Friday 9:00 AM – 5:00 PM EST at Phone: [1-866-731-2244](tel:1-866-731-2244), Fax: [1-866-227-1533](tel:1-866-227-1533) or e-mail our technical support group at support@BathAuthority.com.

For more information on [DreamLine Shower Kit](#) please visit www.BathAuthority.com

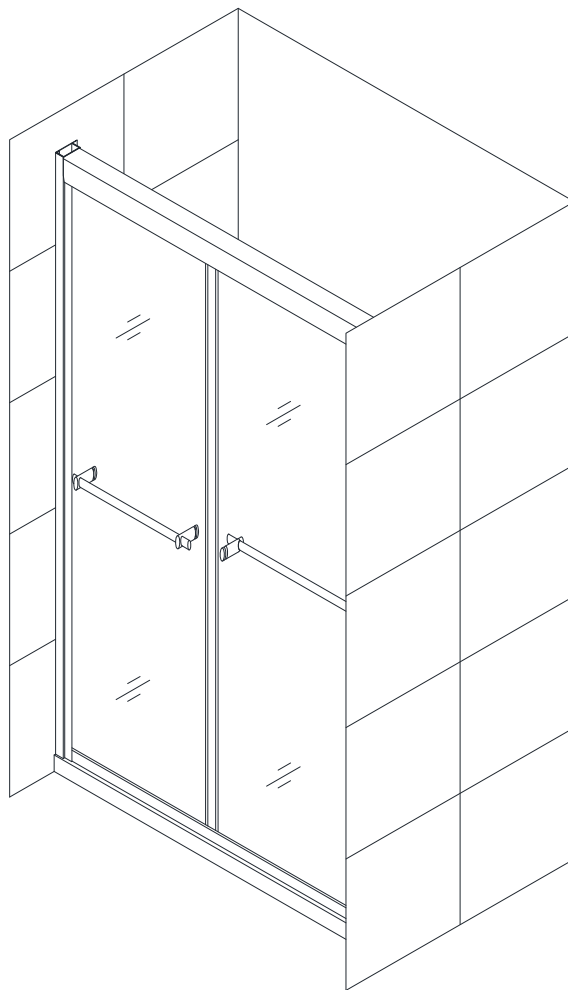


DUET

SHOWER DOOR INSTALLATION INSTRUCTIONS

IMPORTANT

DreamLine™ reserves the right to alter, modify or redesign products at any time without prior notice. For the latest up-to-date technical drawings, manuals or any other details please refer to the support.bathauthority.com web page.



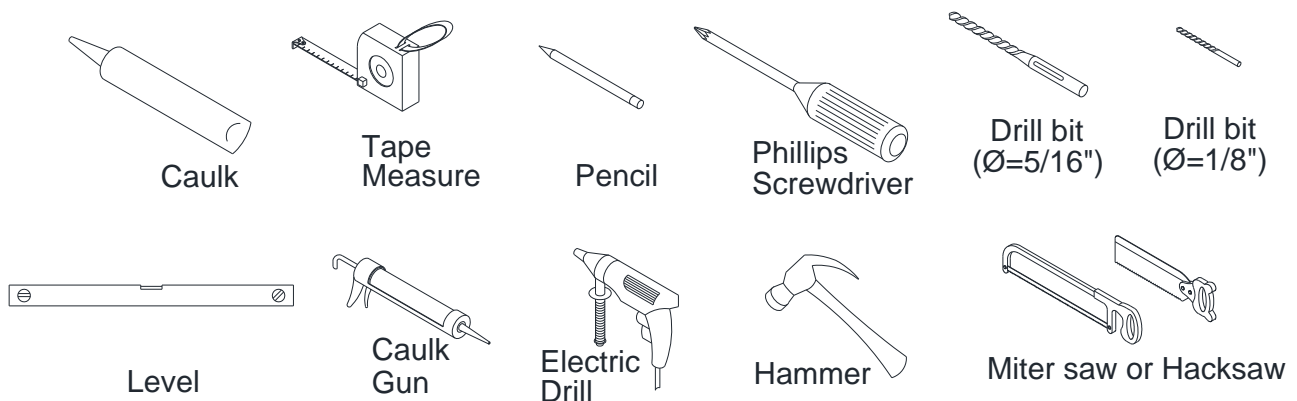
Please carefully read the instructions before installing. If you have any questions regarding installation, please call our technical support specialists Monday through Friday 9:00 AM – 5:00 PM EST at 1-866-731-8378, ext. 3 or e-mail our technical support group at support@BathAuthority.com.

For more information on [DreamLine™ Shower Doors](http://www.BathAuthority.com) please visit www.BathAuthority.com

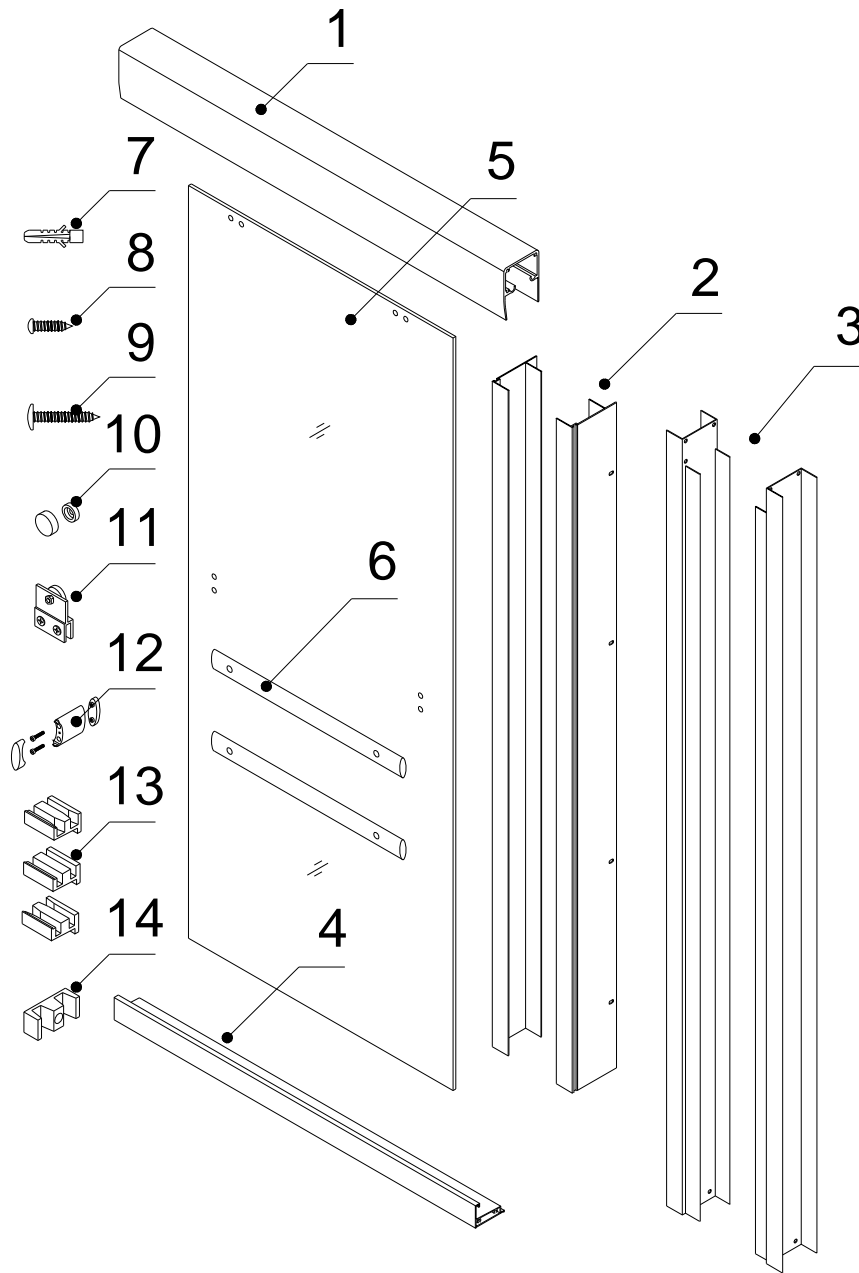
Preparation

1. After opening all boxes and packages, read this introduction carefully. Check that all of the needed parts are included in the package, by marking all the components on the "Detailed Diagram of Shower Door Components". Examine boxes and packages for shipping damage. If the unit has been damaged, has a finishing defect, or has missing parts, please contact our customer support department within 3 business days of the delivery date. Please note that **DreamLine™ will not replace any damaged products or missing parts free of charge after 3 business days or if the product has been installed.** Feel free to contact DreamLine™ if you have any questions.
2. **Please note that you should consult your local building codes with questions on installation compliance standards. Building and plumbing codes may vary by location, and DreamLine is not responsible for code compliance standards for your project.**
3. Please insure that prior to the installation the installation surface is leveled and solid and will be able to support the total weight of the unit. Also make sure the walls are at right angles. While some adjustment in leveling of the door is possible, irregular installation surface level or improper angle of side walls will result in serious problems for your installation. Please, note that some adjustments and drilling might be necessary during the installation process.
4. **Please, NOTE! This door has only ½" out-of-plumb adjustment. Make sure your walls are as close to being plumb as possible.**

Tools Required



Detailed Diagram of Shower Door Components



Packing List

01	Upper guide rail	1pc	08	Round head screw ST4.2×16	16pcs
02	Wall profile	2pcs	09	Round head screw ST4.2×30	18pcs
03	Glass profile	2pcs	10	Decorative cover	10pcs
04	Bottom guide rail	1pc	11	Roller	4pcs
05	Glass door	2pcs	12	Handle bracket	4pcs
06	Handle	2pcs	13	Guide block (left, right, middle)	1 set
07	Wall anchor	8pcs	14	Rubber stopper	6pcs

NOTE: Unpack your unit carefully and inspect it. Lay it out and identify all parts using the detailed diagram and packing list in your manual as a reference. Before discarding the carton, check for small hardware bags that tend to fall to the bottom of the box. If any parts are damaged or missing, please contact DreamLine™ for replacement.

Shower Door Installation

1. Measure the distance between two walls.
This distance is marked as "**W**".

See Fig. 1 for details.

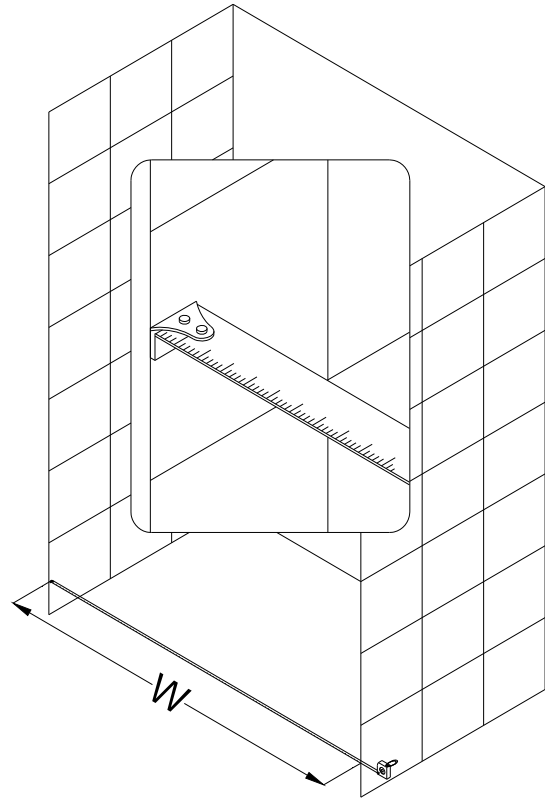


Fig. 1

2. The **Upper guide rail (01)** and the **Bottom guide rail (04)** has been precut for the installation between the walls with a distance of:

a) **48"**

If **W=48"**, then it is unnecessary to cut the **Guide rails** and you can continue to Step 3.

If **W<48"**, you will need to cut:

- **Upper guide rail (01)** from one end.

The cutting length will be **D**;

$$D=48''-W.$$

- **Bottom guide rail (04)** from both ends.

The cutting length will be **D/2**.

b) **60"**

If **W=60"**, then it is unnecessary to cut the **Guide rails** and you can continue to Step 3.

If **W<60"**, you will need to cut:

- **Upper guide rail (01)** from one end.

The cutting length will be **D**;

$$D=60''-W.$$

- **Bottom guide rail (04)** from both ends.

The cutting length will be **D/2**.

See Fig. 2 for details.

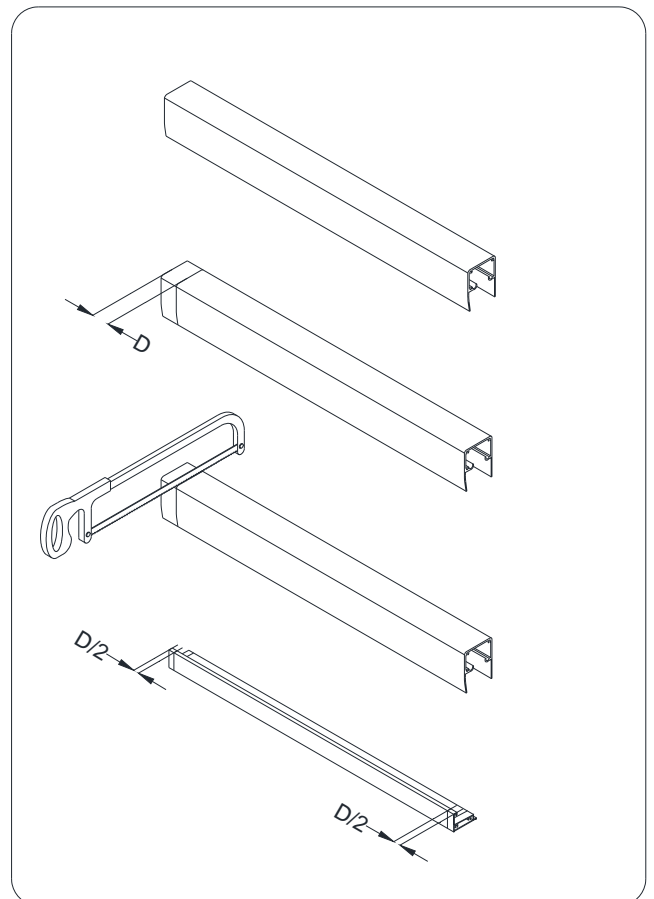


Fig. 2

3. Secure **Upper guide rail (01)** and **Bottom guide rail (04)** to the **Glass profiles (03)** with the **Flat head screws ST4.2x25 (09)**.

See Fig. 3 and Fig. 4 for details.

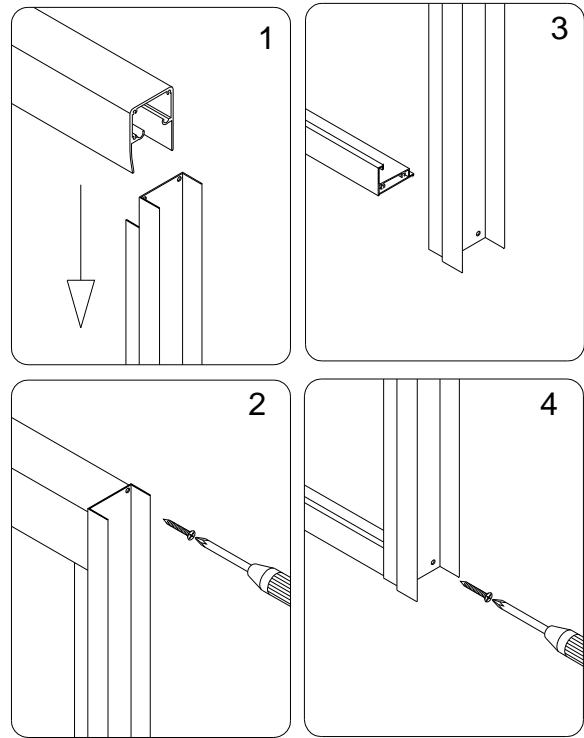


Fig. 3

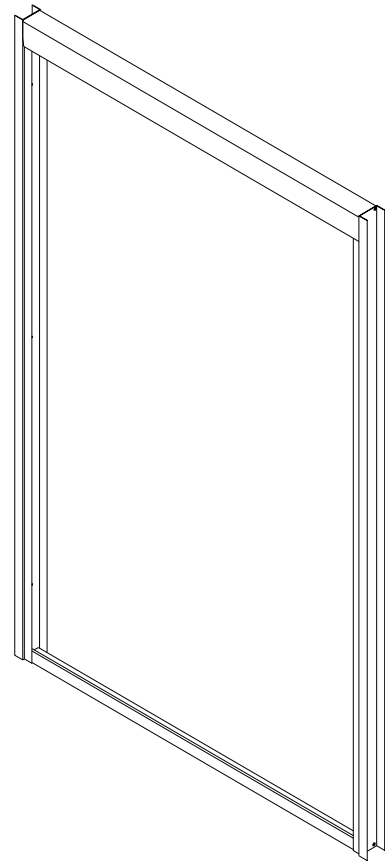


Fig. 4

4. Push the **Wall profiles (02)** all the way over the **Glass profiles (03)** at both sides. Make sure the flange of the wall profile faces inside the shower.

See Fig. 5 and Fig. 6 for details.

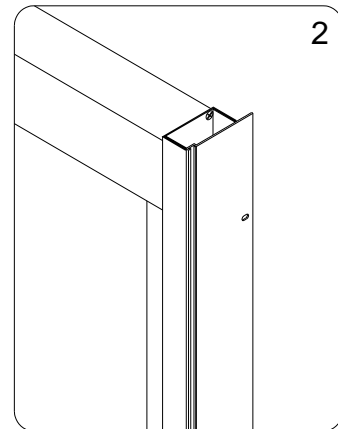
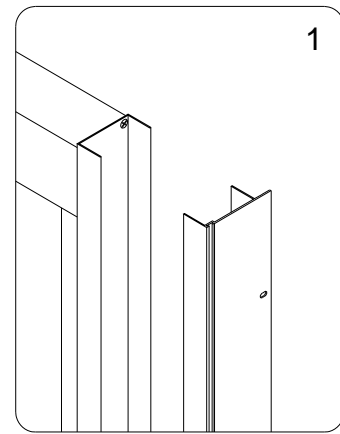


Fig. 5

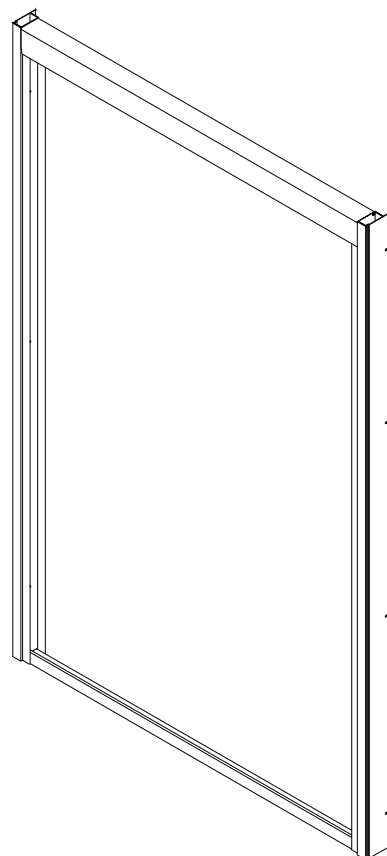


Fig. 6

5. Move the finished frame to the designated position and push it against the walls. If your top and bottom wall opening measurements are different or if the walls are out-of-plumb, make adjustment by slightly pulling the **Wall profiles** out of the **Glass Profiles**. Use the level to adjust the frame in the vertical position.

See Fig. 7 for details.

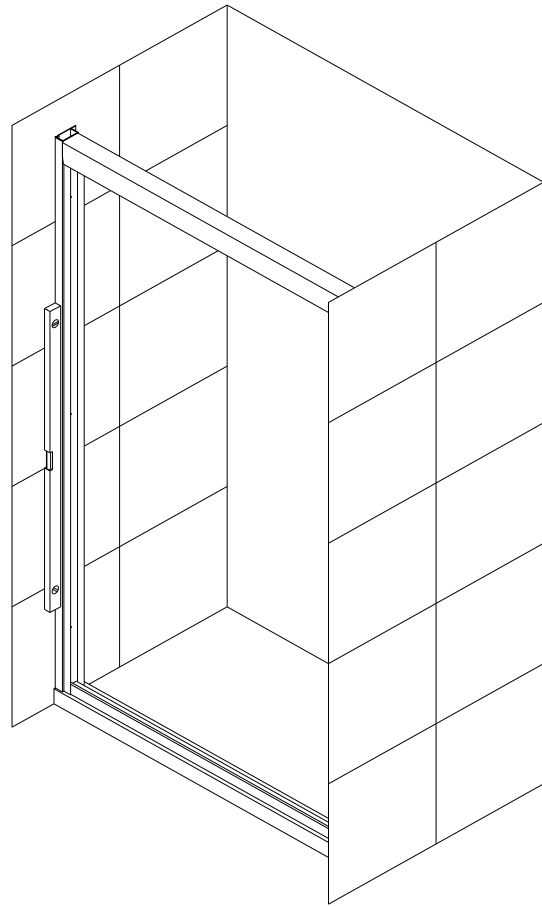


Fig. 7

6. Using help to hold this frame in the right position, mark the drill holes on the wall through the holes on the flange of the **Wall Profile**.

Gently set the assembled unit aside; drill the holes using $\text{Ø } 5/16''$ drill bit and insert the **Wall anchors (07)**.

See Fig. 8 for details.

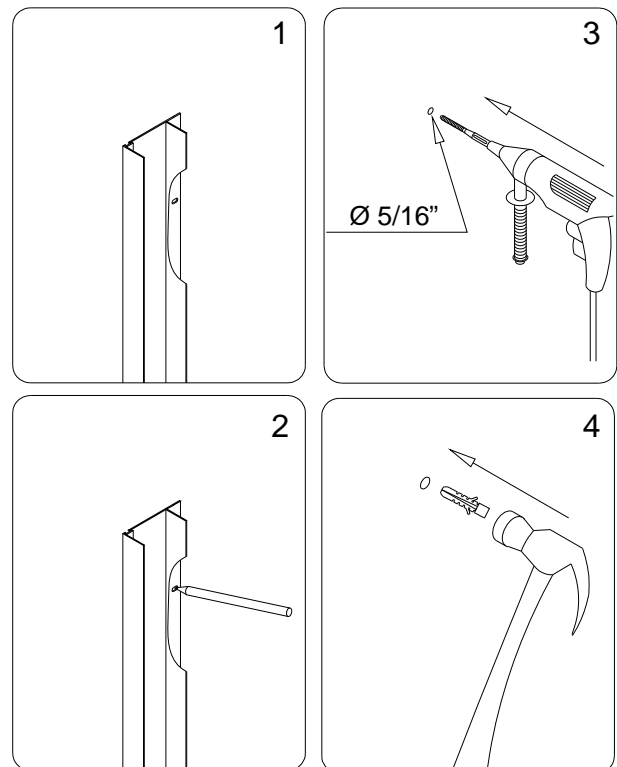


Fig. 8

7. Apply silicone along the wall profile and around the holes on the wall. Also apply silicone under the bottom guide rail. Place the shower frame back in to the designated position and secure it to the walls using **Round head screws ST4.2×30 (09)**.

See Fig. 9 for details.

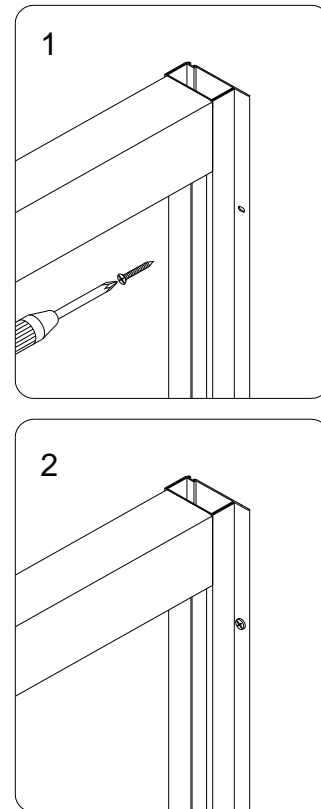


Fig. 9

8. Secure the **Rollers (11)** to the top of the **Glass door (05)**. Mind the position of the rollers. Attach the **Handle brackets (12)** to the **Glass doors (A & B)**. The handle brackets should face the same direction as the rollers. Then secure the **Handles (06)** to the **Handle brackets** using **Round head screw ST4.2×16 (08)**. Cover the holes with the **Decorative cover** provided.

See Fig. 10 for details.

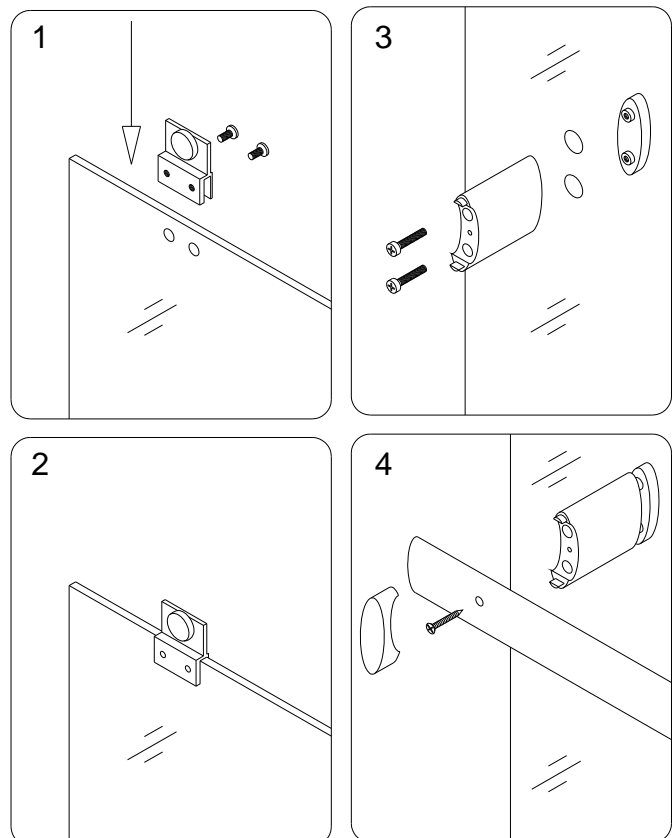


Fig. 10

PLEASE NOTE:

- On the outside **Glass door (A)** the **Handle** and the **Rollers** should face out.
- On the inside **Glass door (B)** the **Handle** and the **Rollers** should face inside.

See Fig. 11 and Fig. 12 for details.

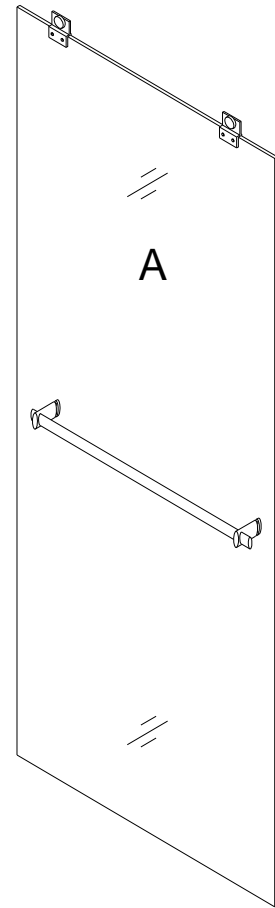


Fig. 11

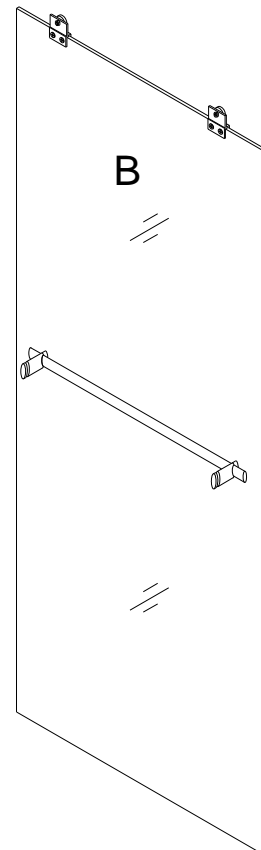


Fig. 12

9. One by one suspend both **Glass doors** onto the **Upper guide rail** as shown on Fig.13. Tilt the **Glass door (A)** a little to make the glass slide into the channel of guide rail. Suspend the **Glass door (B)** to the guide rail the same way.

See Fig. 13 and Fig. 14 for details

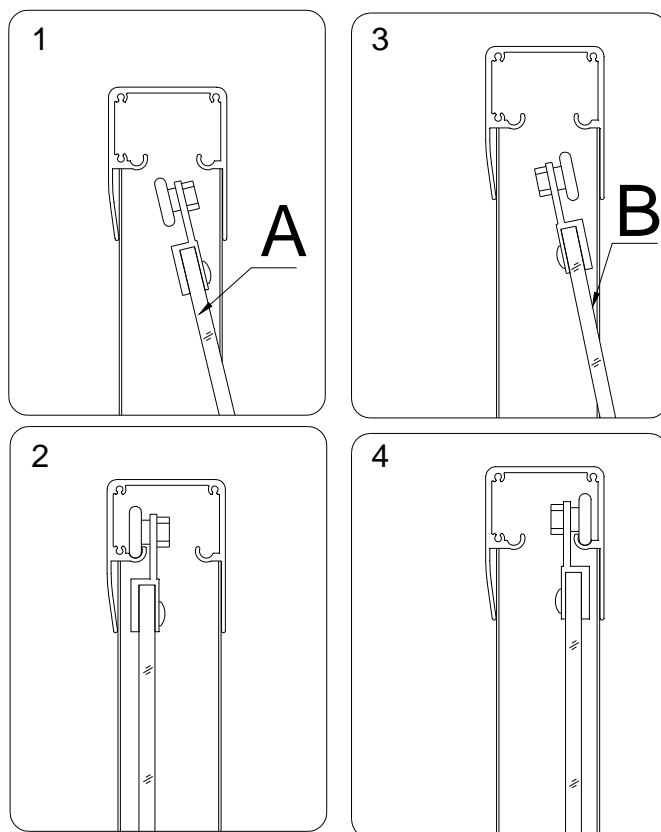


Fig. 13

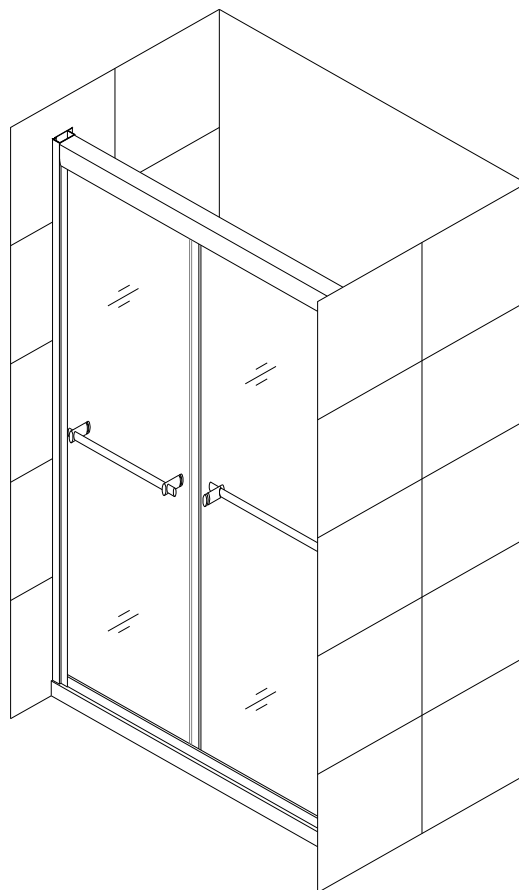


Fig. 14

10. Slide both **Glass Doors** to the right. Insert the **Left guide block (13)** into the channel on the left side of the **Guide rail** and secure it using the **Round head screw ST4.2 × 16 (08)**.

Cover the screw head with **Decorative cover (10)**.

See fig. 15 for details.

Repeat Step #10 to install the **Right guide block** and the **Middle guide block** to the **Guide rail**.

NOTE:

If the guide rail has been cut off in Step #2, go to Step #11

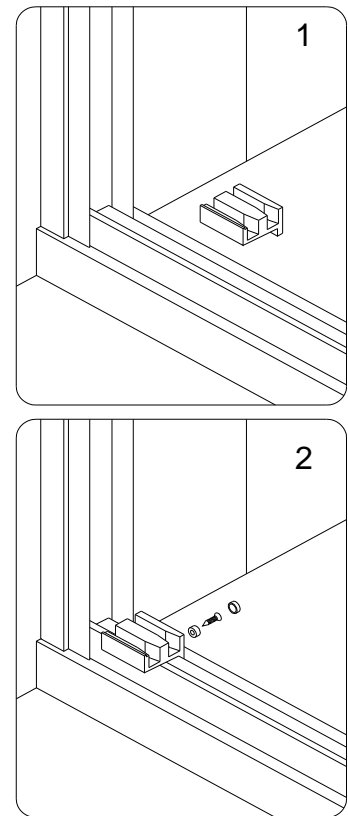


Fig. 15

11. If the guide rail has been cut off in Step 2, place the **Guide block (13)** to the end of the guide rail and mark the drill hole in the **Guide rail** through the pre-drilled hole on the block using 1/8" drill bit.

Drill the hole and secure the **Guide block** with the **Round head screw ST4.2×16**.

Cover the screw head with **Decorative cover (10)**.

See Fig. 16 for details.

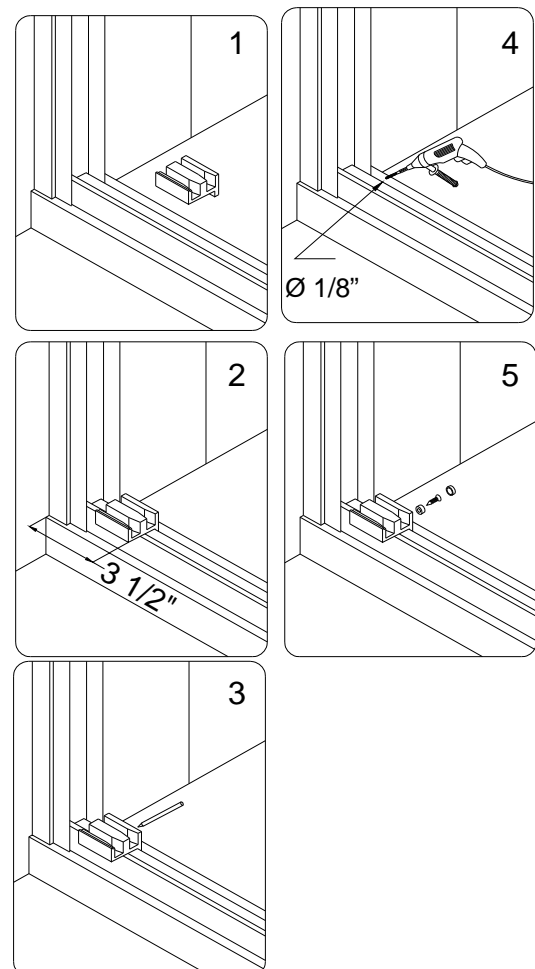


Fig. 16

12. Fasten the **Rubber stopper (14)** inside the groove of the **Wall profile** using the **Round head screw ST4.2×16 (08)**.

See Fig. 17 for details.

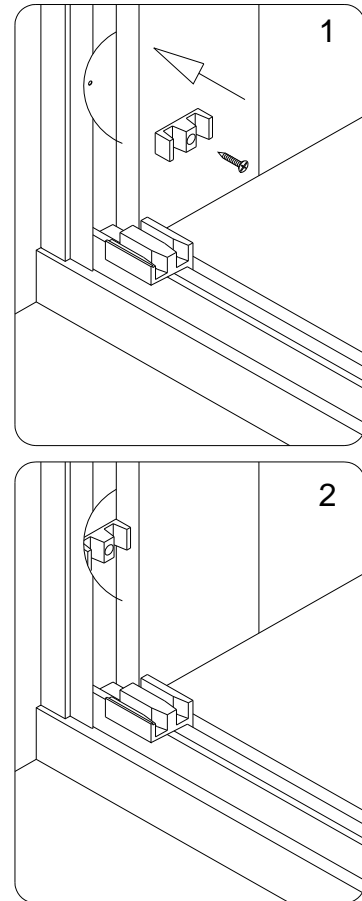


Fig. 17

13. Do the final adjustments of the assembled unit in the **Wall profiles**.

Drill the holes in the **Glass profiles** through the predrilled holes on the **Wall profile**.

ATTENTION: Make sure not to drill the holes throughout, only the first layer of the wall profile.

Secure the **Wall profile** to the **Glass profile** using the **Round head screw ST4.2×16 (08)** and cover it with the **Decorative cover (10)**.

See Fig. 18 for details.

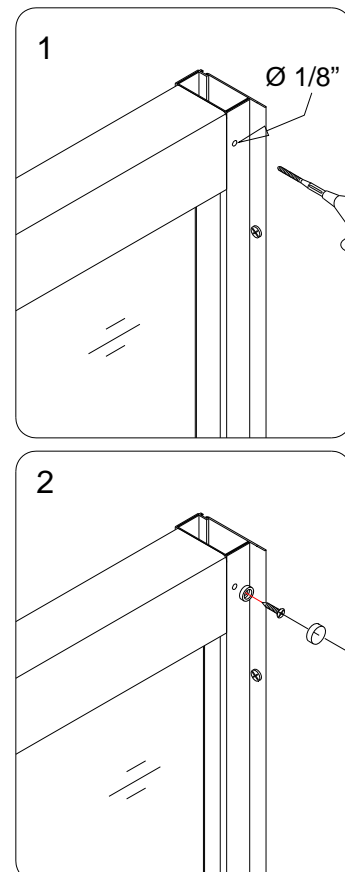


Fig. 18

14. Apply the sealant along the profiles and guide rails; on the seams between the bottom guide rail and the profiles as well as along the shower base or threshold.

See Fig. 19 for details.

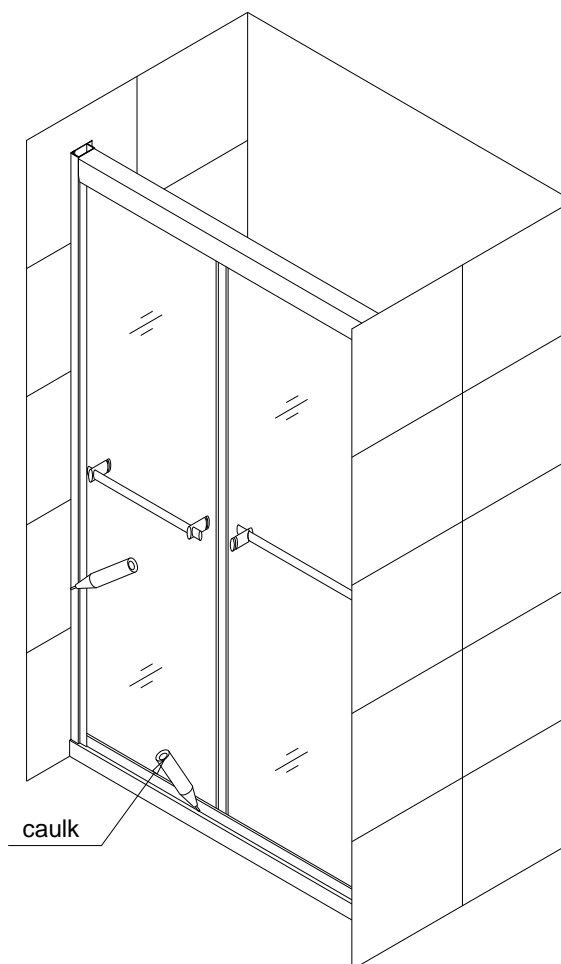


Fig. 19

Product Maintenance

To insure long lasting life for your acrylic back walls, wipe them off after each use with a soft cloth. To clean the acrylic back walls use non-abrasive sprays or cream based cleaners. Never use abrasive cleansers, metal brushes or scrapers that could scratch or dull the surface.

To insure long lasting life for your glass shower products, wipe them off after each use with a soft cloth. Rinse and wipe of the glass using either soft cloth or squeegee to prevent soap buildup. Never use abrasive cleaners and cleaning products that contain scoring agent because this may scratch the surface. Never use bristle brushes or abrasive sponges.

To assure a long lasting finish wipe off the metal parts after each use with a soft cloth. Do not use abrasive cleaners or cleaning products containing ammonia, bleach or acid. If accidentally used, rinse the surface as soon as possible to prevent finish peeling or corrosion. After cleaning the shiny finishes, rinse thoroughly and wipe dry with soft cloth. Clean stainless steel surfaces at least once a week. When applying stainless steel cleaner or polish, work with (not across) the grain. Never use abrasive sponge or cloth, steel wool or wired brushes.

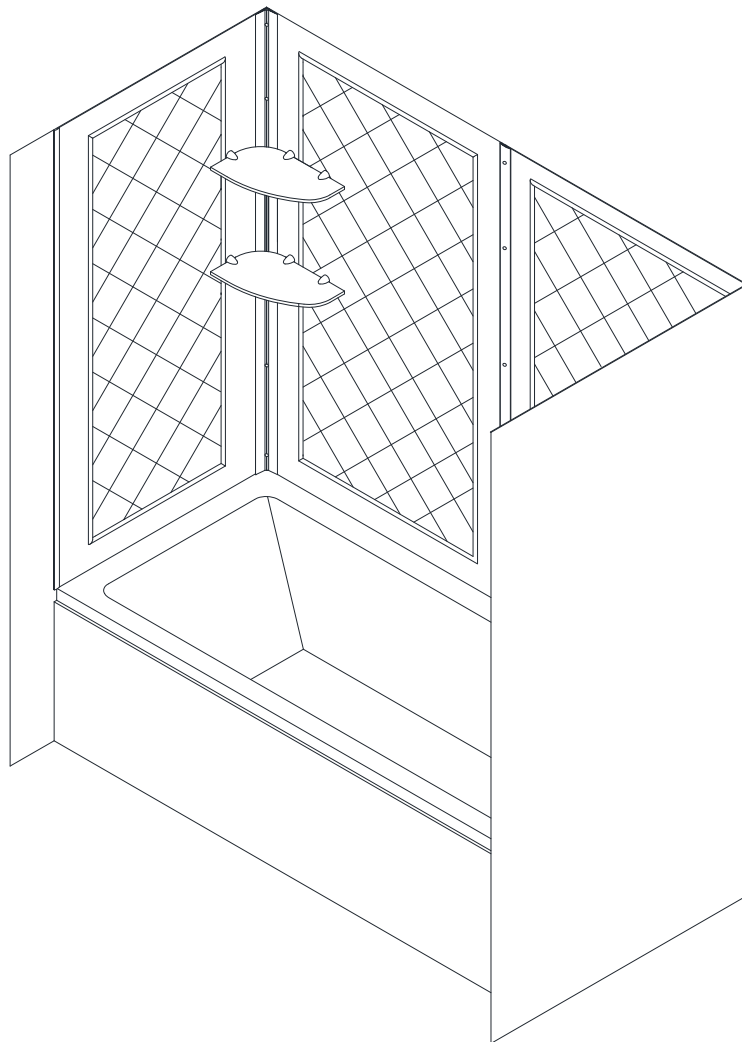


QWALL TUB

TUB ACRYLIC BACK WALL INSTALLATION INSTRUCTIONS

IMPORTANT

DreamLine™ reserves the right to alter, modify or redesign products at any time without prior notice. For the latest up-to-date technical drawings, manuals or any other details please refer to the support.BathAuthority.com web page.



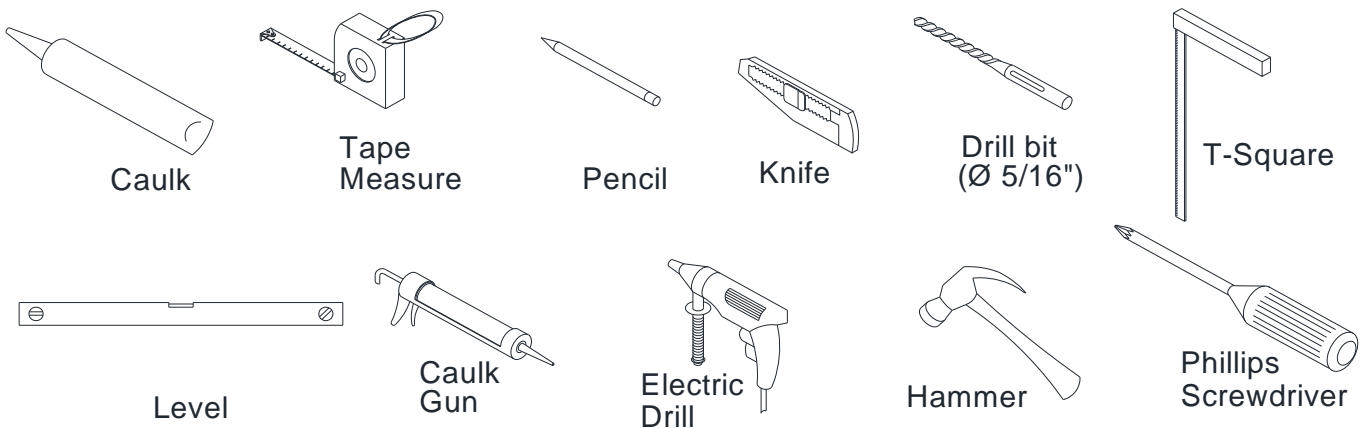
Please carefully read the instructions before installing. If you have any questions regarding installation, please call our technical support specialists Monday through Friday 9:00 AM – 5:00 PM EST at 1-866-731-8378, ext. 3 or e-mail our technical support group at support@BathAuthority.com.

For more information on [DreamLine™ Tub Back Wall](http://www.BathAuthority.com) please visit www.BathAuthority.com

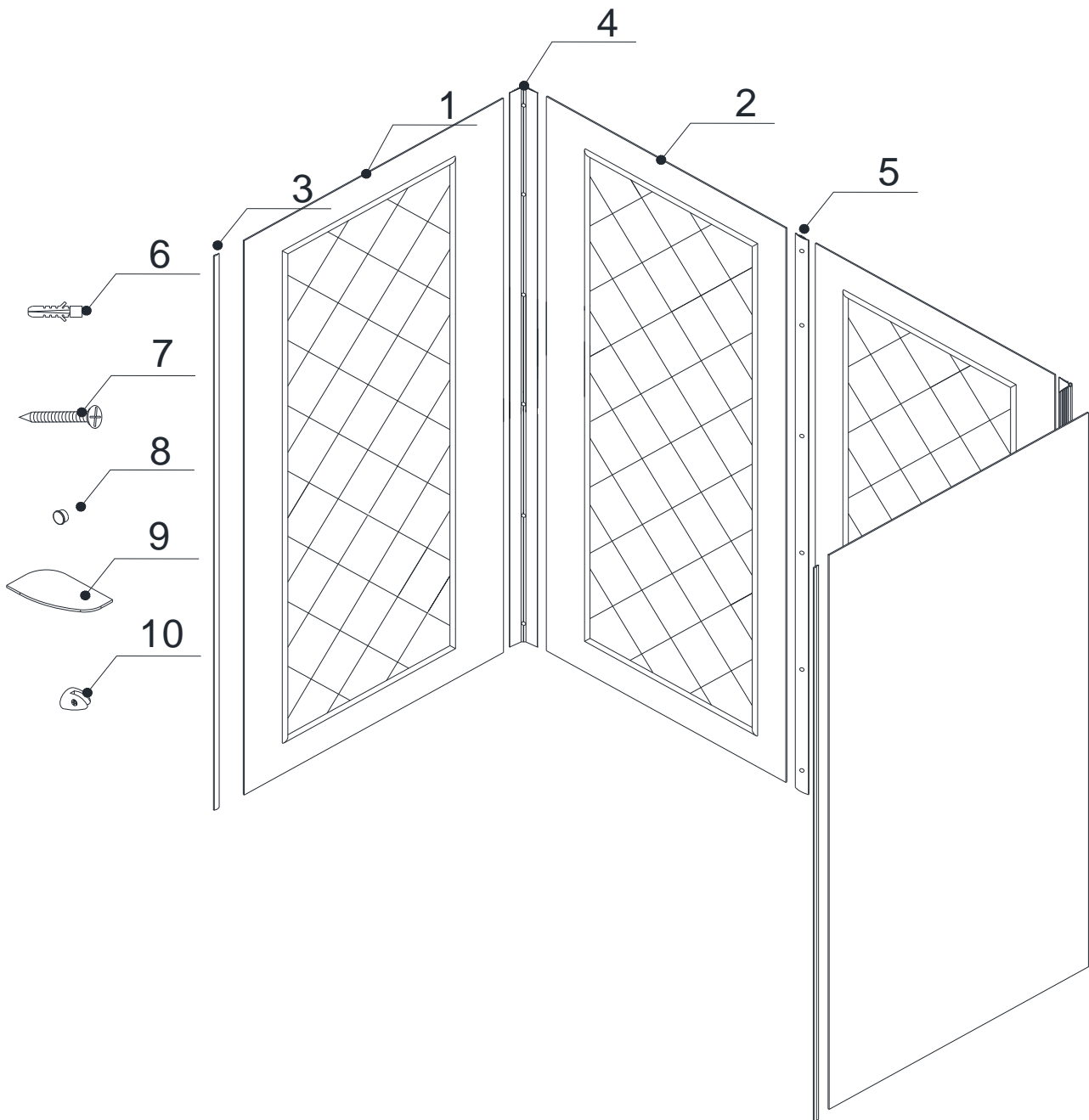
Preparation

1. After opening all boxes and packages, read this introduction carefully. Check that all of the needed parts are included in the package, by marking all the components on the "Detailed Diagram of Tub Back Wall Components". Examine boxes and packages for shipping damage. If the unit has been damaged, has a finishing defect, or has missing parts, please contact our customer support department within 3 business days of the delivery date. Please note that **DreamLine™ will not replace any damaged products or missing parts free of charge after 3 business days or if the product has been installed.** Feel free to contact DreamLine™ if you have any questions.
2. **Please note that you should consult your local building codes with questions on installation compliance standards. Building and plumbing codes may vary by location, and DreamLine is not responsible for code compliance standards for your project.**
3. This acrylic wall system is specially designed to be installed over any solid surface. If you are installing the acrylic walls over the existing tiles, remove all loose tiles before the installation. If you are installing over the existing painted walls, take all loose paint off. Please, note that some cutting and drilling might be necessary during the installation process.
4. Make sure to turn off the water supply, remove faucet, handles or any fixture trims protruding from the wall. Clean the surface removing soap film and dirt from all wall surfaces using regular household detergent, then wipe it dry.

Tools Required



Detailed Diagram of Tub Back Wall Components



Packing List

01	Side panel	2pcs	06	Wall anchor	21pcs
02	Back panel	2pcs	07	Countersunk screw ST4.2×30	21pcs
03	Decorative edge molding	2pcs	08	Decorative cover	15pcs
04	Corner cover	2pcs	09	Glass shelf	2pcs
05	Wall cover	1pc	10	Shelf bracket	6pcs

NOTE: Unpack your unit carefully and inspect it. Lay it out and identify all parts using the detailed diagram and packing list in your manual as a reference. Before discarding the carton, check for small hardware bags that tend to fall to the bottom of the box. If any parts are damaged or missing, please contact DreamLine™ for replacement.

Back Panel Installation Instruction

1. Measure the distance of the back wall of the tub (corner to corner)
The distance is "**W**"

See Fig. 1 for details.

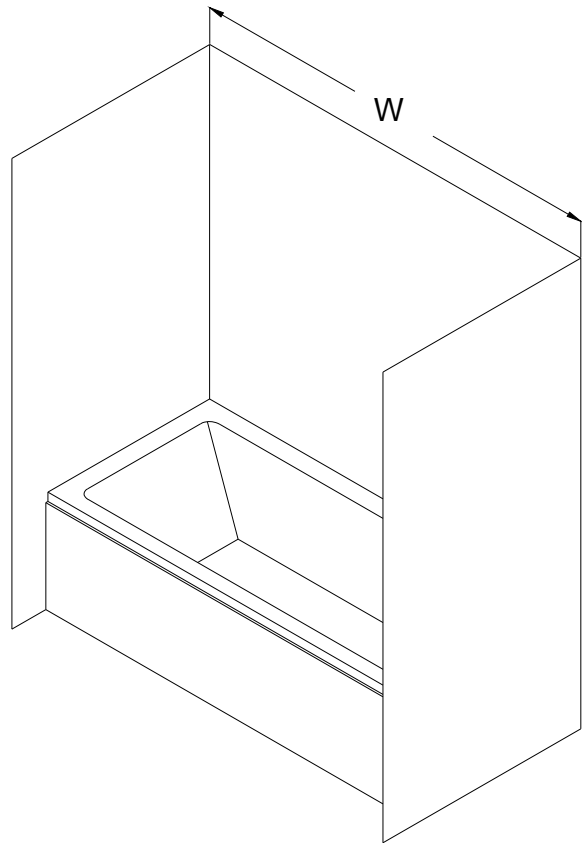


Fig. 1

2. Divide the **W** measurement by **2** (**W/2**). Place a mark on the back wall and draw a vertical line from top to bottom.

See Fig. 2 for details.

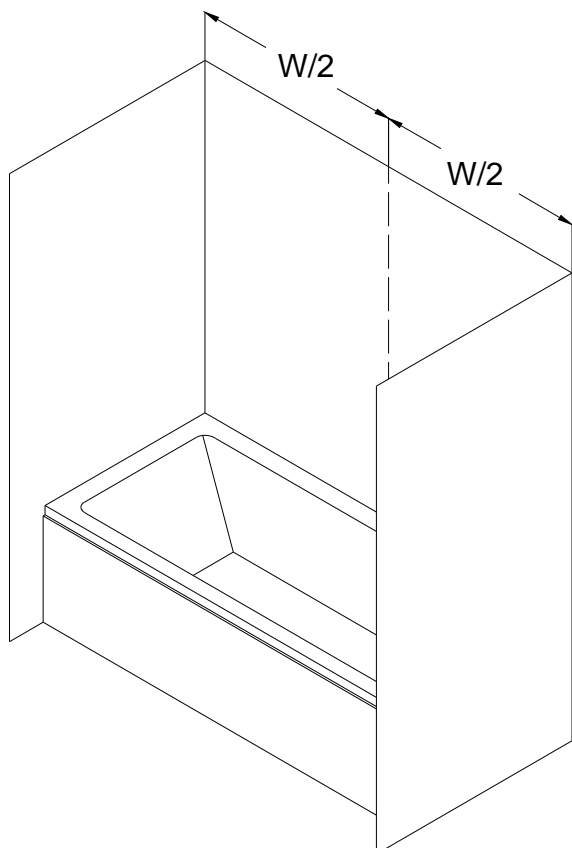


Fig. 2

3. Measure the side walls from the corner to the front point where the **Side panel (01)** is going to end. This distance is "**D**".

See Fig. 3 for details.

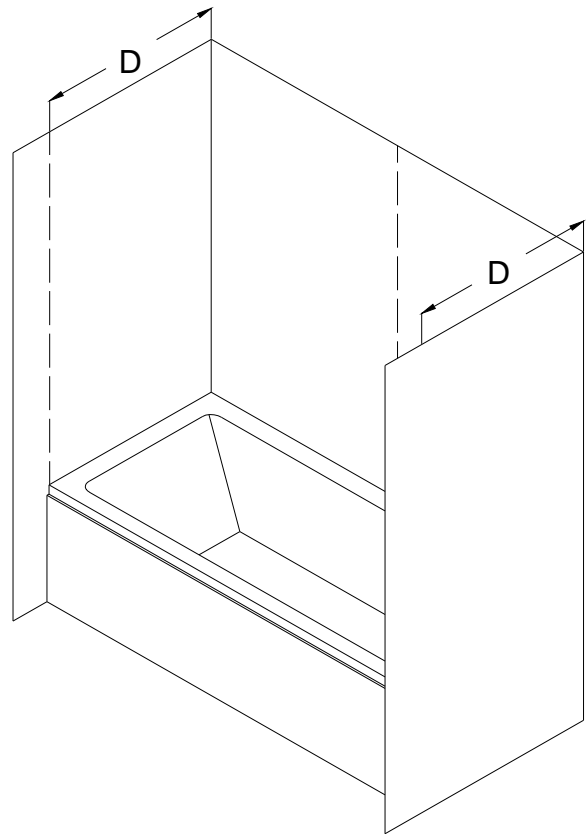


Fig. 3

4. Verify on which side of your tub wall the fixtures will be installed. Place a mark on the side wall (**NB: not the side panel!**) with a distance of **1" (one inch)** from the corner and draw a vertical line from top to bottom.

Take the exact measurements:

- from the fixture to the line: **(A, B, C)**
- from the fixture to the bottom: **(E, F).**

See Fig. 4 and Fig. 5 for details.

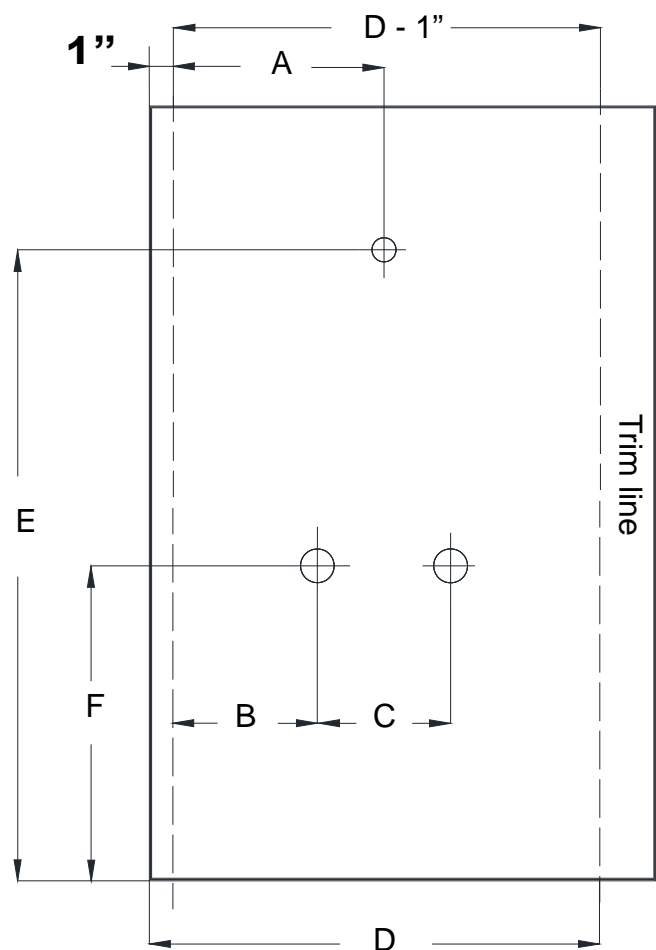


Fig. 4

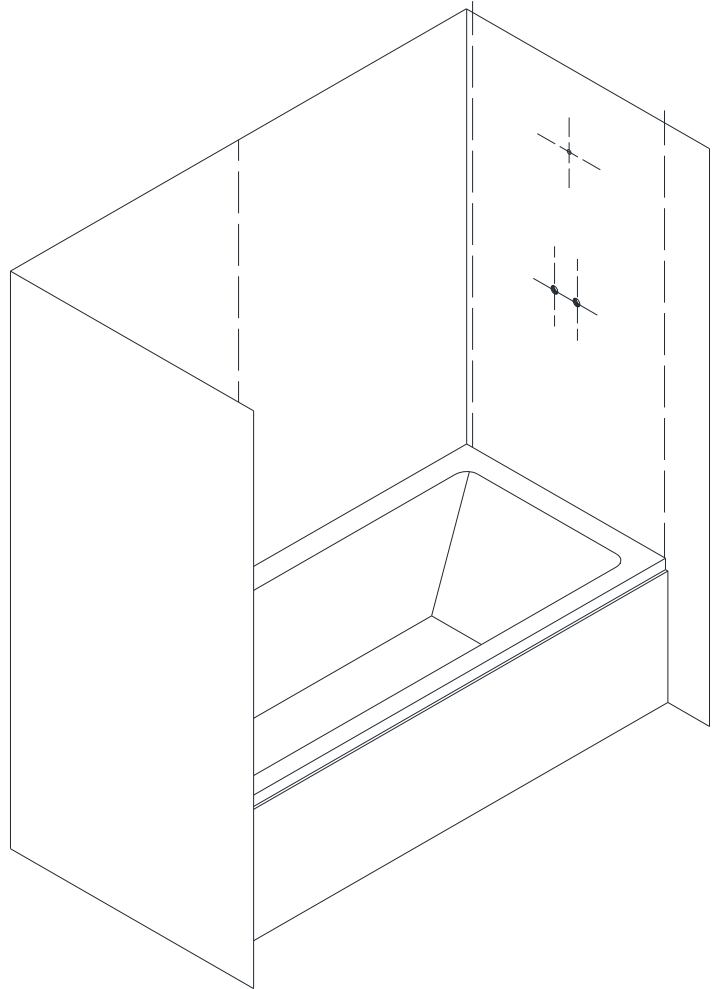


Fig. 5

5. Attach the **Center cover (05)** vertically at the center point along the line and mark the drilling holes through the predrilled holes on the **Center cover**.

Drill the holes using **Ø5/16"** drill bit and insert the **Wall Anchors (06)**.

See Fig. 6 and Fig. 7 for details.

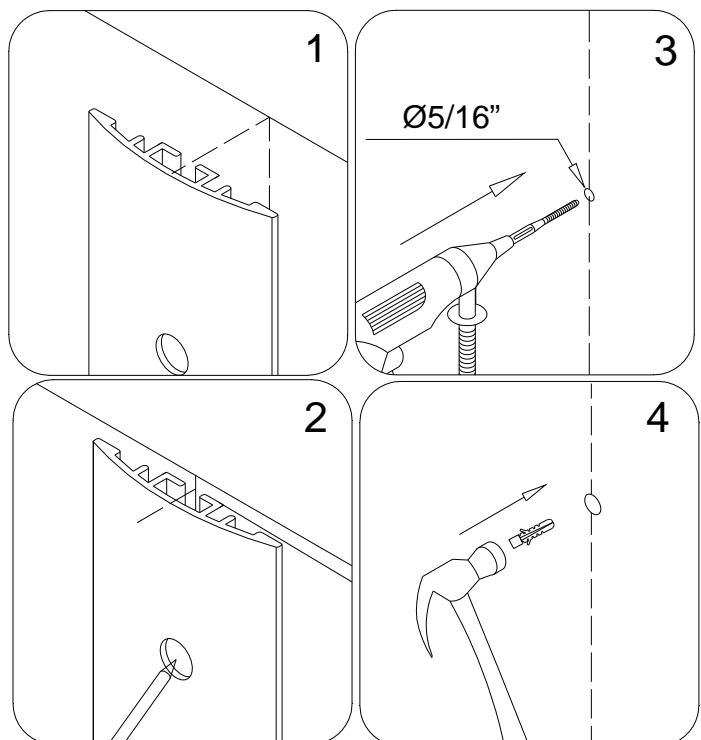


Fig. 6

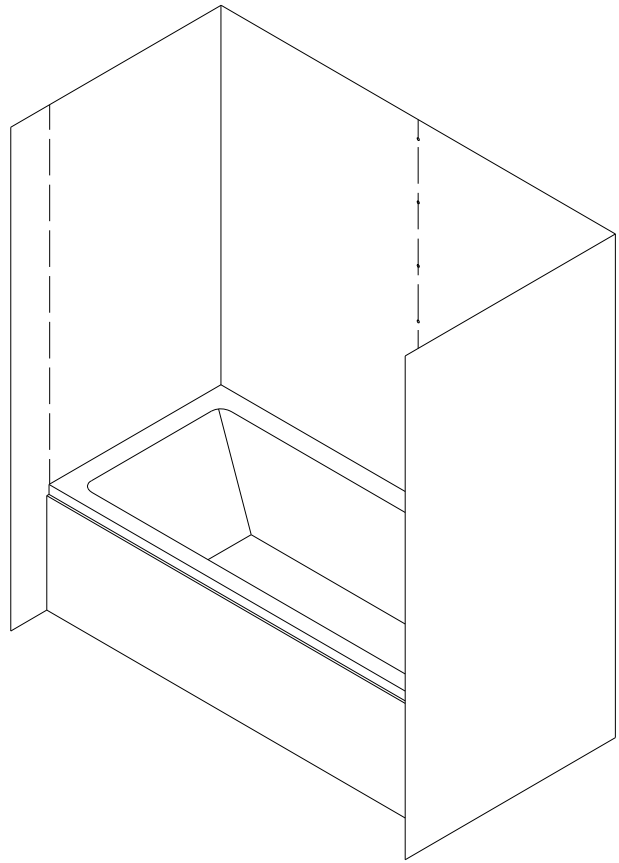


Fig. 7

6. Attach the **Corner cover (04)** to the corner of the wall and mark the drilling holes through the predrilled holes on the **Corner cover**. Drill the holes using **Ø5/16"** drill bit and insert the **Wall Anchors (06)**.

See Fig. 8 and Fig. 9 for details

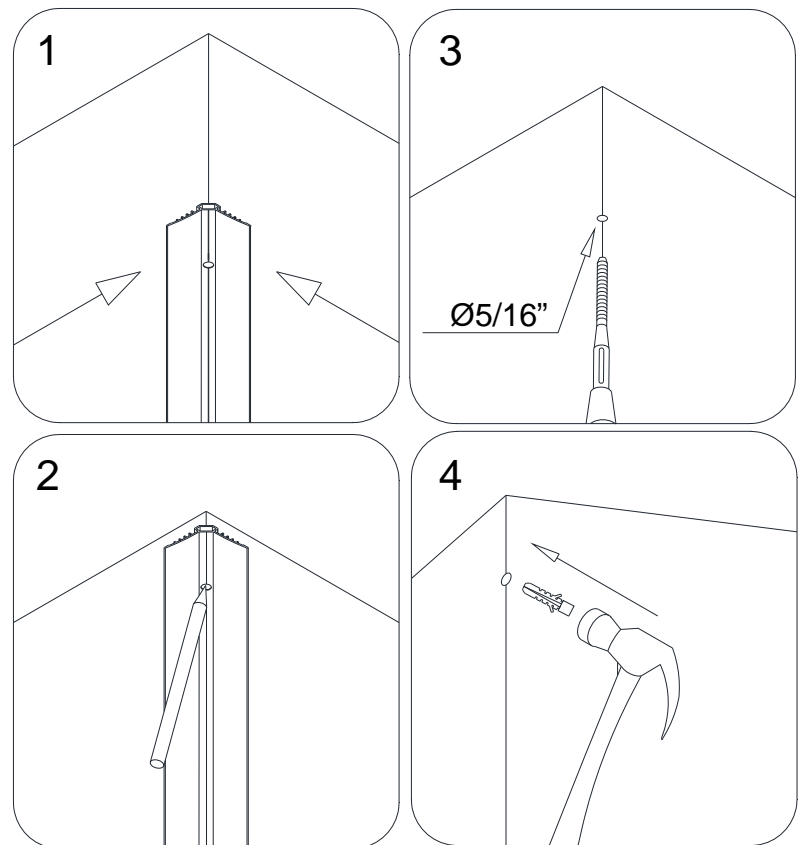


Fig. 8

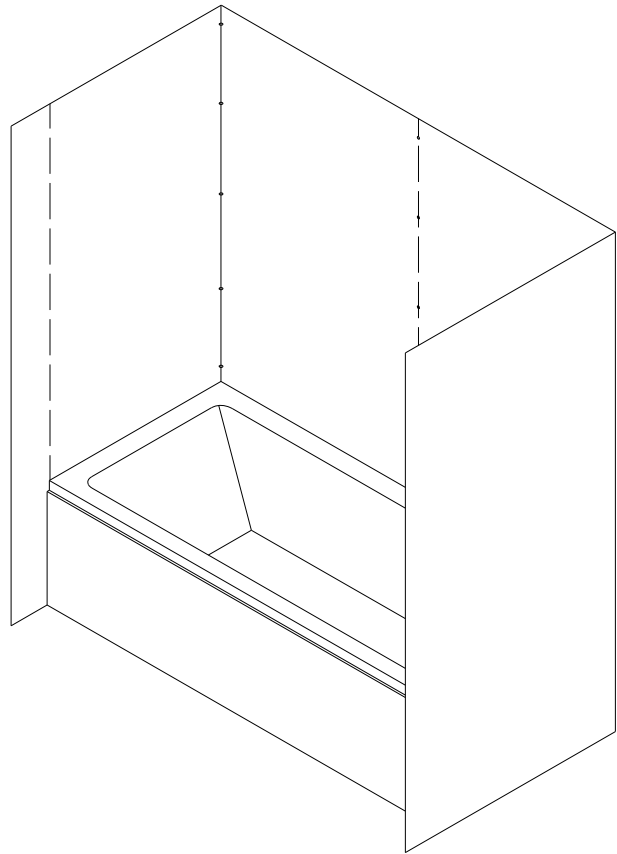


Fig. 9

7. Determine the position of both **Back panels (02)**.

NOTE:

- a) Narrow side of the **Back panel** cannot be trimmed and should face the center of the Back wall.
- b) Wide side of the **Back panel** can be trimmed to the size of the wall and should face the corner.

Place a mark on the wide side of the **Back panel** with a distance of **(W/2 - 1")** from the center edge of the **Back panel** to the wide side of the **Back panel** and draw a straight line from top to bottom.

See Fig. 10 for details.

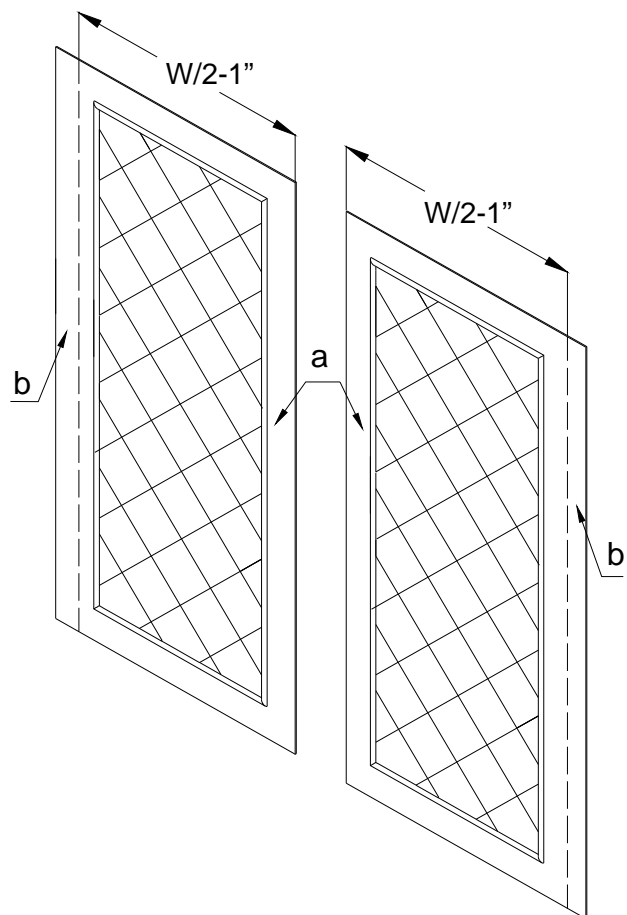


Fig. 10

8. Place the **Back panel (02)** on a flat piece of plywood or a particle board. Cut the side end of the **Back panel** by making a few deep scratches with a sharp industrial knife using a T-Square tool or a handheld jig saw.

See Fig. 11 and Fig. 12 for details.

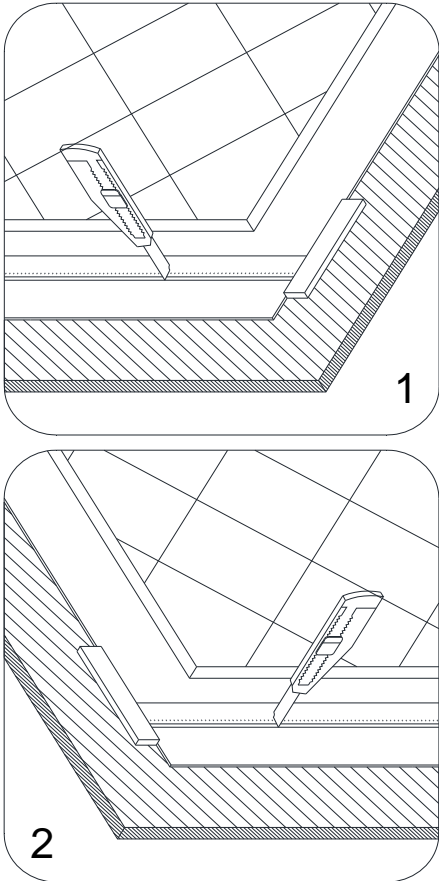


Fig. 11

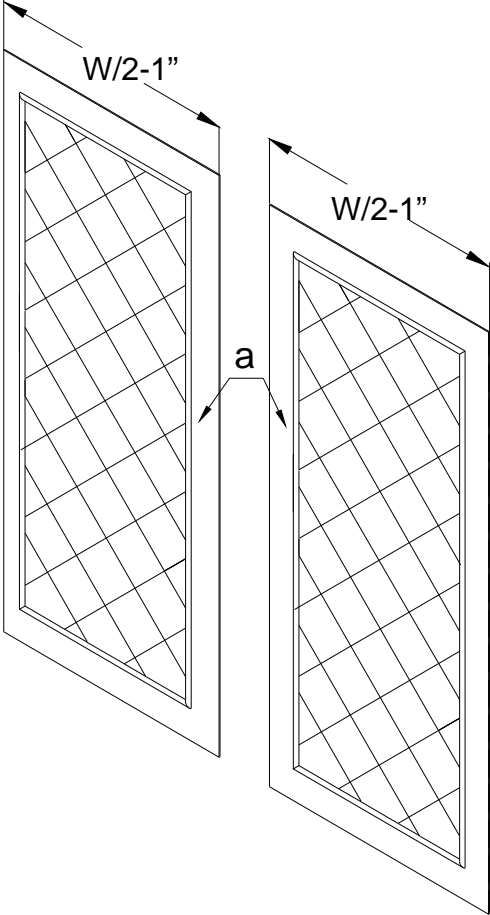


Fig. 12

9. Mount the **Center cover (05)** to the center of the back wall using the **Countersunk screws ST4.2×30 (07)**. Do not tighten the screws. Leave the **Center cover** loose on the wall.

See Fig. 13 for details.

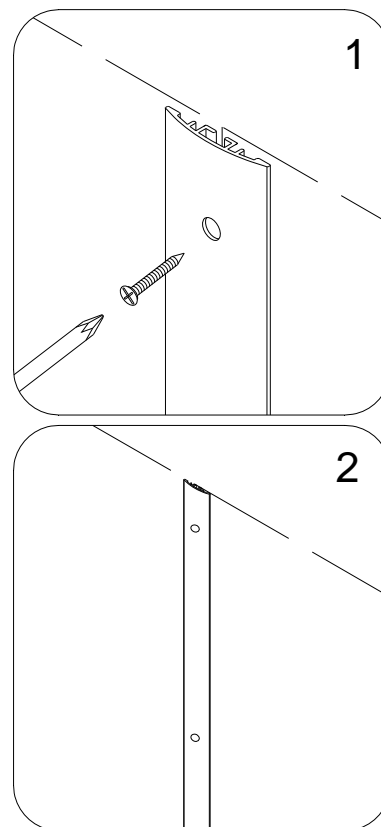


Fig. 13

10. Apply the sealant to the back of the left **Back panel (02)**.

See Fig. 14 for details.

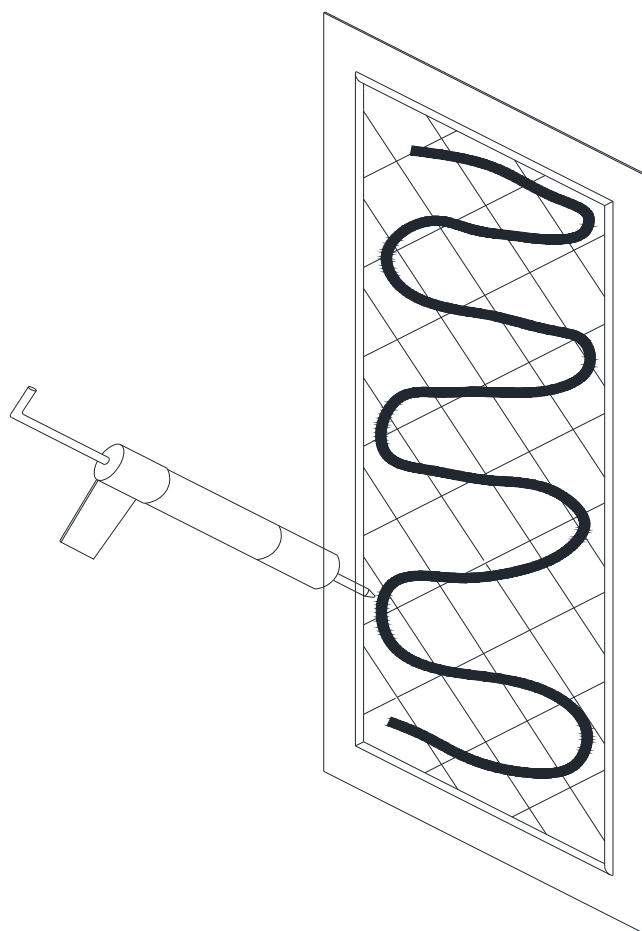


Fig. 14

11. Slide the right edge of the left **Back panel (02)** all the way behind the **Center cover (05)** and push the **Back panel** against the wall.

You can adjust the position of the **Back panel** before the sealant sets.

Apply equal pressure to the whole surface of the **Back panel** from top to bottom.

Fasten the **Corner cover (04)** to the left corner of the back wall using the **Countersunk screws ST4.2×30 (07)**. Do not tighten the screws.

See Fig. 15 for details.

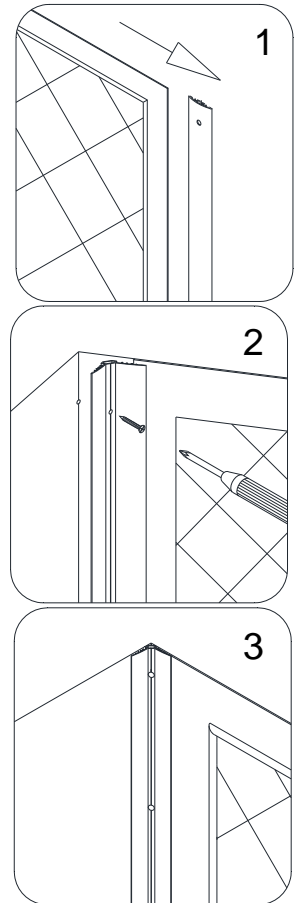


Fig. 15

12. Repeat Step 10 and Step 11 to install the right **Back panel (02)** to the right side of the back wall.

See Fig. 16 for details.

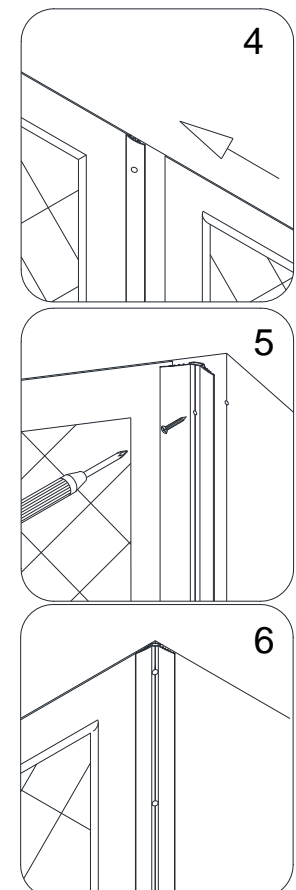


Fig. 16

13. Align both **Back panels** at the top and tighten the screws on the **Center cover (05)** to secure this assembly in place.

See Fig. 17 and Fig. 18 for details.

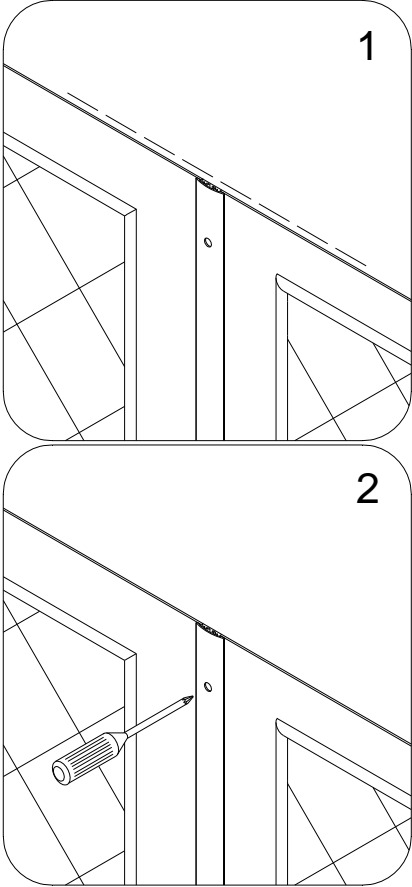


Fig. 17

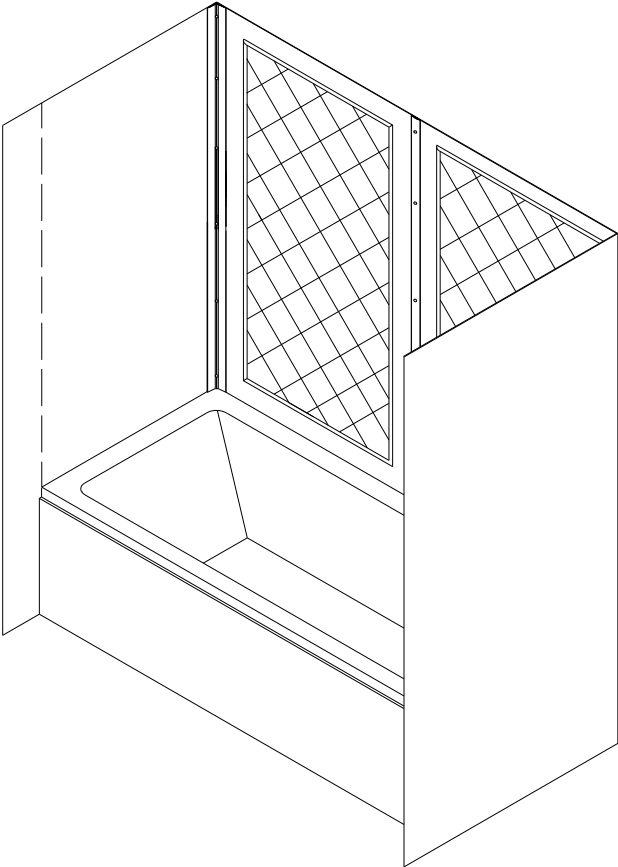


Fig. 18

14. Determine the position of both **Side panels (01)**.

NOTE:

- a) Narrow side of the **Side panel** cannot be trimmed and should face the corner of the side wall.
- b) Wide side of the **Side panel** can be trimmed to size of your measurements and should face the front of the tub.

Place a mark on the wide side of the **Side panel** with a distance of **D – 1"** from the corner side of the **Side panel** to the front edge and draw a straight line from top to bottom.

See Fig. 19 for details.

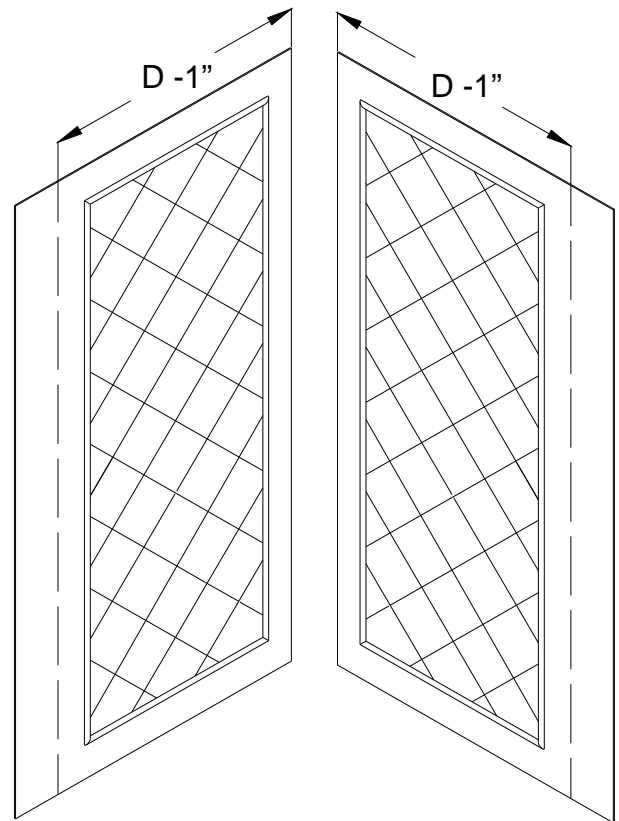


Fig. 19

15. Place the **Side panel (01)** on a flat piece of plywood or a particle board. Cut the side end of the **Side panel** by making a few deep scratches with a sharp industrial knife using a T-Square tool or a handheld jig saw.

See Fig. 20 and Fig. 21 for details.

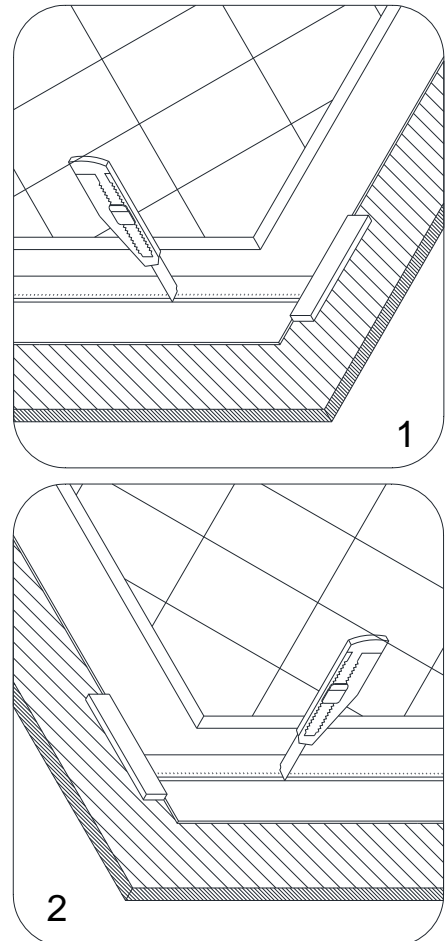


Fig. 20

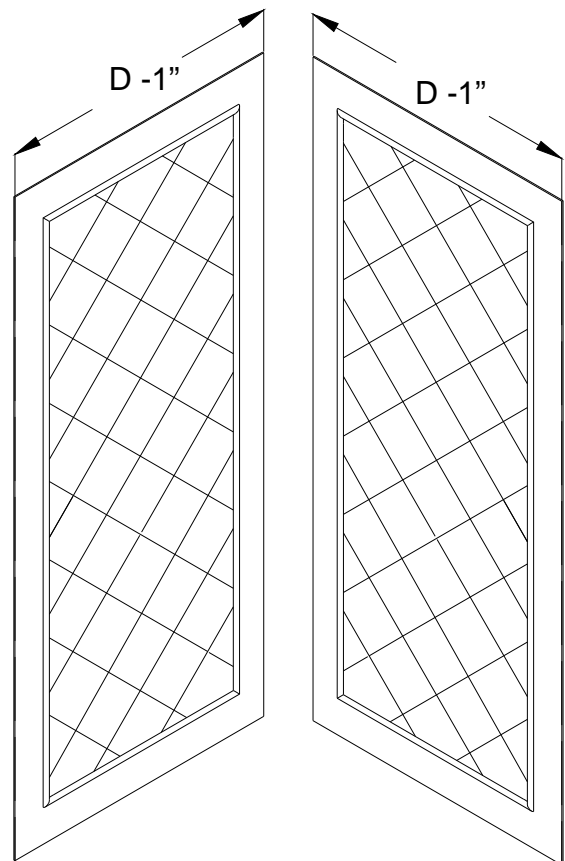


Fig. 21

16. Place the marks on the **Side panel (01)** which is going to the side wall with the fixtures according to the taken measurements in [Fig. 4](#).
Drill the holes in the **Side panel**. Mind using the proper diameter saw bit or a handheld jig saw.

See Fig. 22 and Fig. 23 for details.

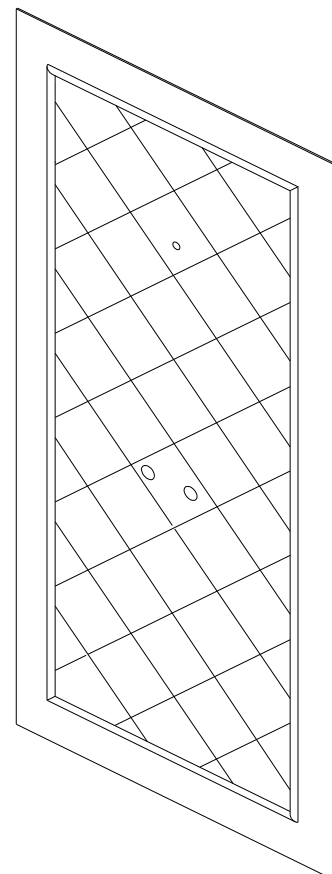


Fig. 22

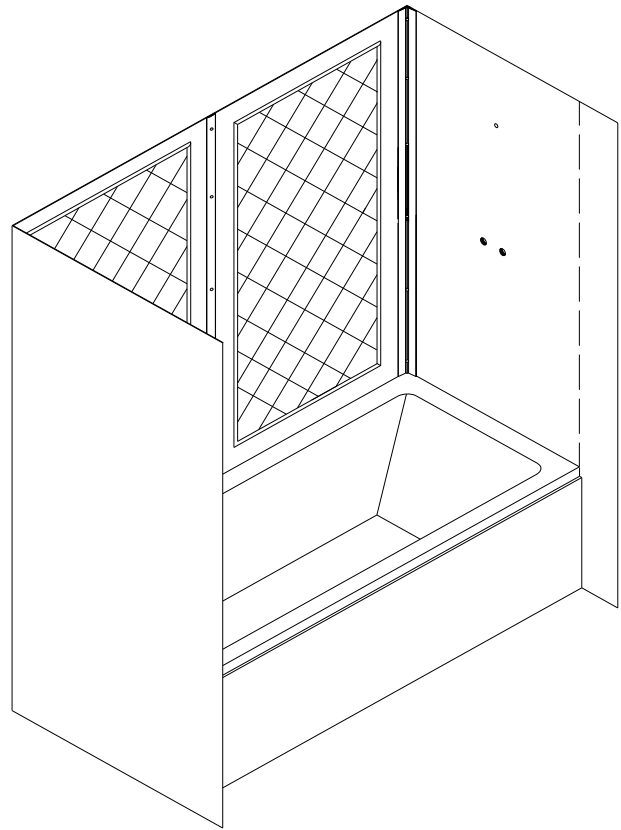


Fig. 23

17. Apply the sealant to the back surface of the **Side panel (01)**.
Apply the sealant around the drilled holes and to the whole back side of the **Side panel**.

See Fig. 24 for details.

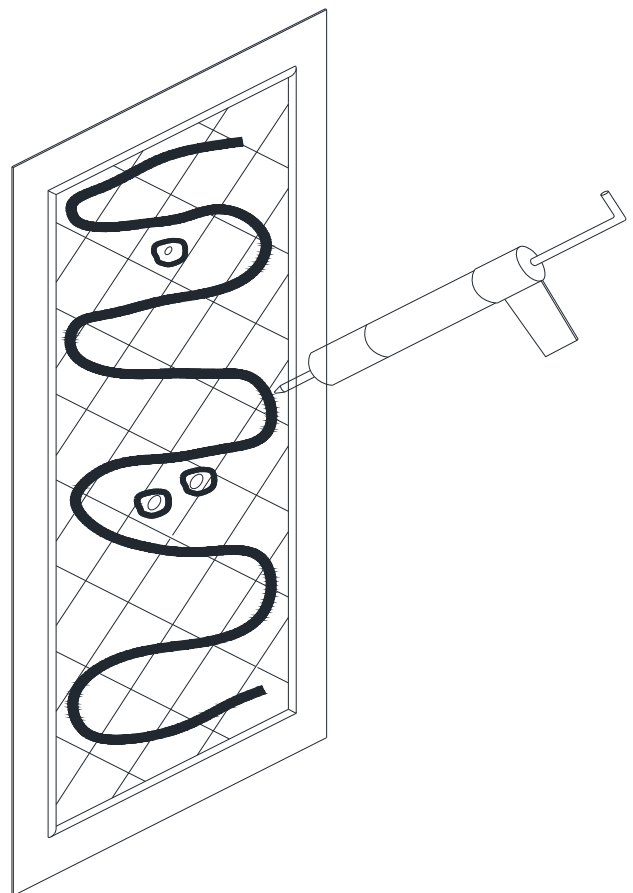


Fig. 24

18. Slide the edge of the **Side panel (01)** all the way behind the **Corner cover (04)** and push the **Side panel** against the wall.

Align the top of the **Side panel** with the **Back panel** before the sealant sets. Apply equal pressure to the whole surface of the **Side panel** from top to bottom.

Peel off the adhesive tape on the back side of the **Decorative edge molding (03)** and attach it to the front edge of the **Side panel**. Apply pressure to the **Decorative edge molding** from top to bottom.

See Fig. 25 for details.

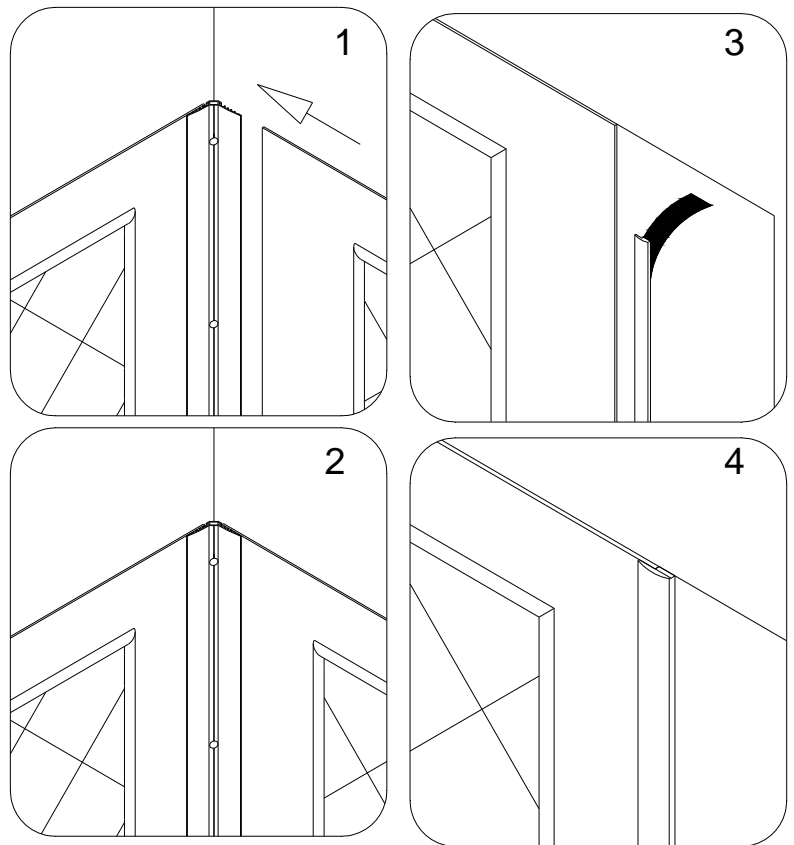


Fig. 25

NOTICE:

If you are installing a shower door with the wall profile, you can hide the edge of the **Side panel (01)** behind the wall profile.

See Fig. 26 for details.

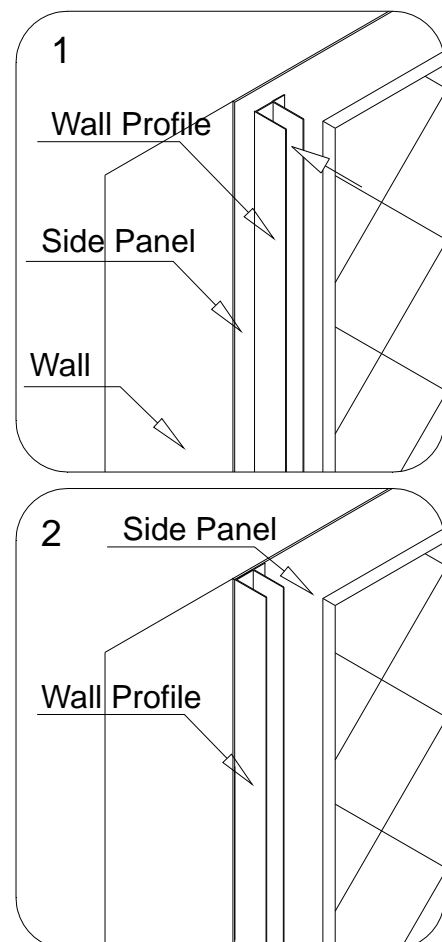


Fig. 26

19. Apply the sealant to the back surface of the **Side panel (01)** for another side wall installation.

See Fig. 27 for details.

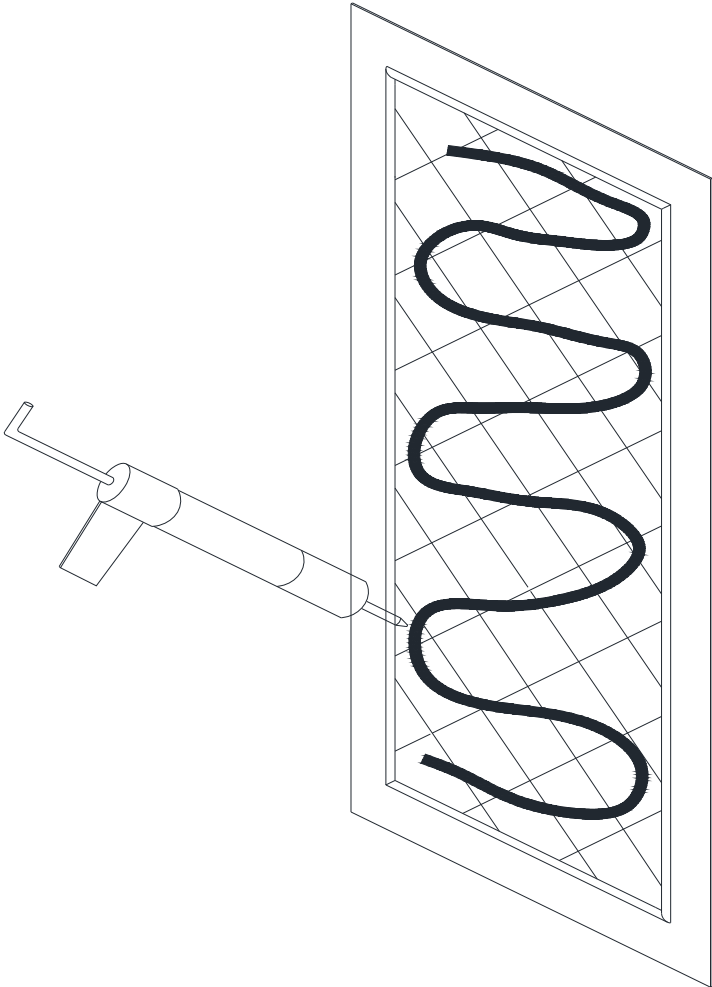


Fig. 27

20. Repeat Step 18 to install the second **Side panel**.

See Fig. 28 and Fig. 29 for details.

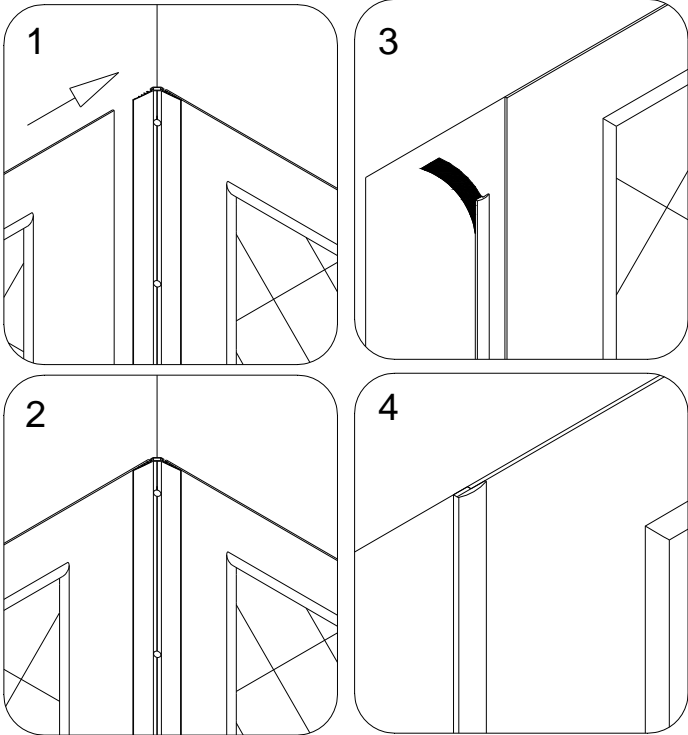


Fig. 28

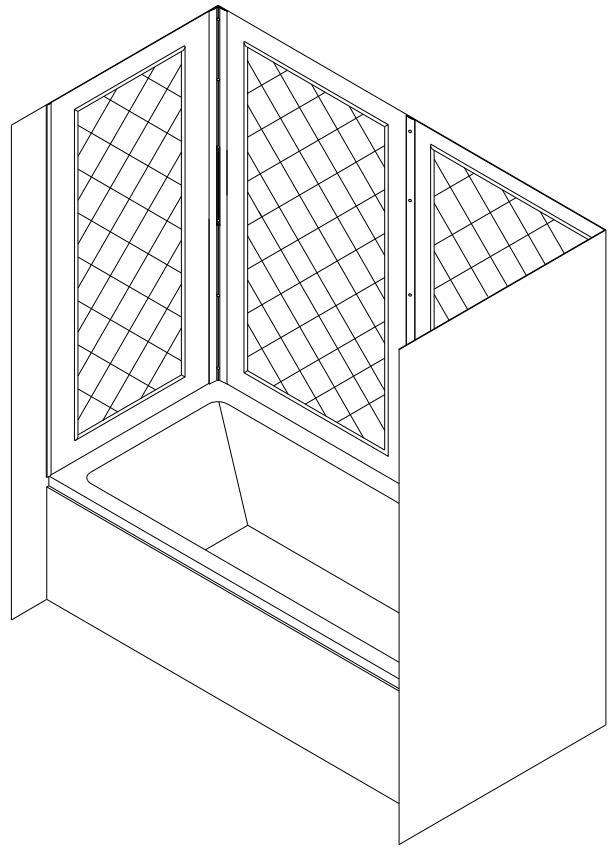


Fig. 29

21. Fasten tight the **Corner covers (04)** and the **Center cover (05)** to secure the **Side panels (01)** and the **Back panels (02)** in place.

See Fig. 28 for details.

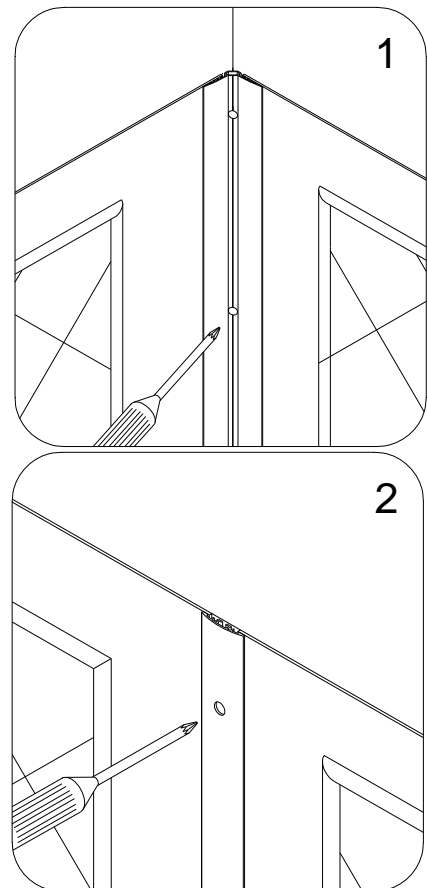


Fig. 28

22. Use decorative plugs to cover the screw holes in the **Corner covers (04)** and the **Center cover (05)**.

See Fig. 29 for details.

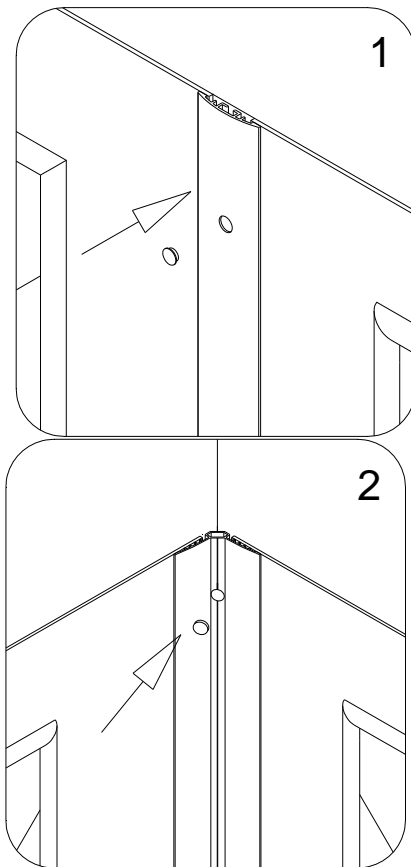


Fig. 29

23. Apply caulk along the top edge of the panels and along the connection of the bottom edges of the panels with the tub.

See Fig. 30 for details.

ATTENTION:

Installation of QWALL-Tub is complete.

If you want to install **Glass shelves (09)** to your Tub Wall, follow to the next step.

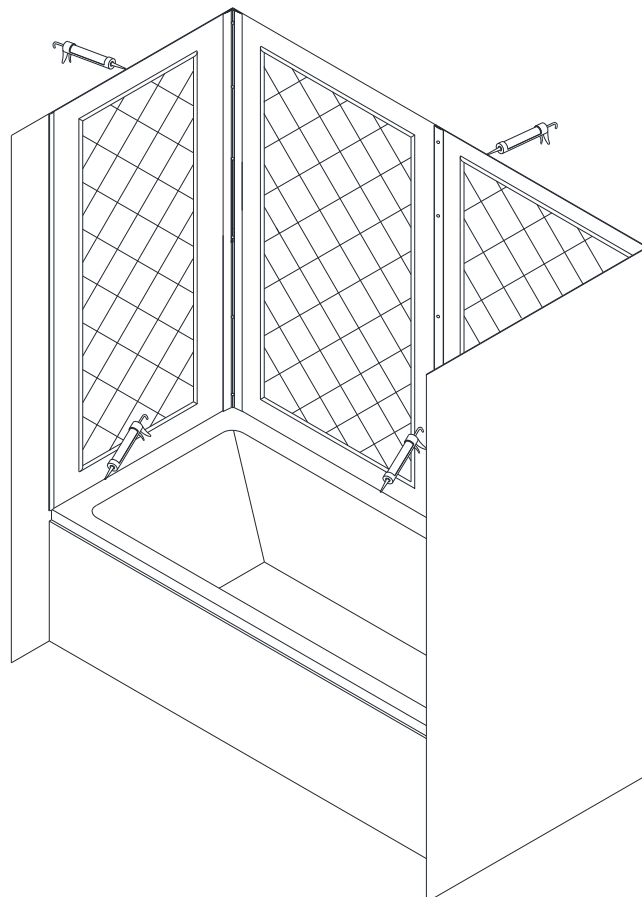


Fig. 30

Tub Glass Shelves Installation Instruction

24. Find the desirable height for the **Glass shelves (09)** and mark the locations on the wall.

NOTE:

The **Glass shelves** can be installed either two in one corner, or one in each.

See Fig. 31 for details.

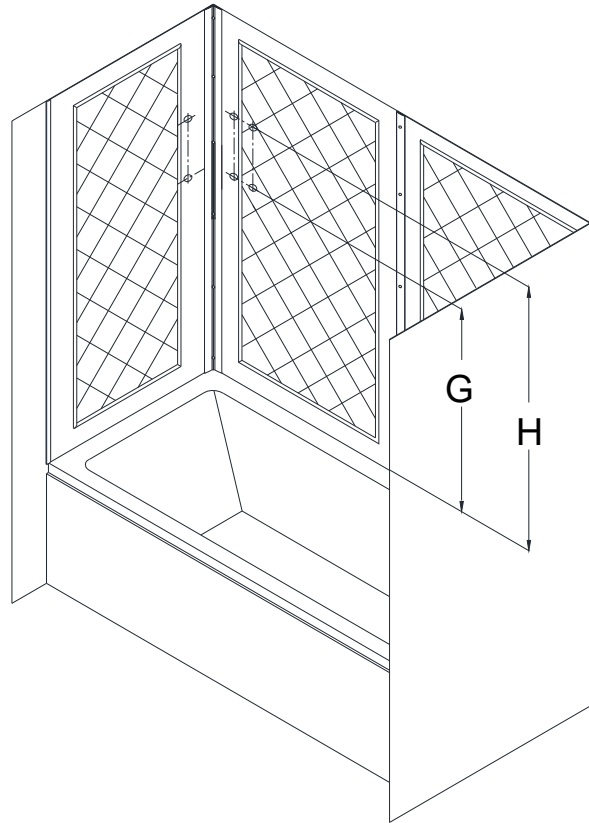


Fig. 31

25. Mark the location for the **Shelf brackets (10)** according to the measurements in Fig. 32.1.

Drill the holes using **Ø5/16"** drill bit and insert the **Wall anchors (06)**.

See Fig. 32 for details.

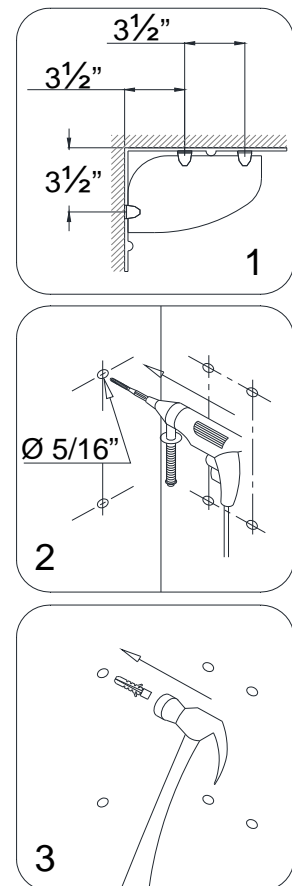


Fig. 32

10. Mount the **Glass brackets (10)** to the wall using the **Countersunk screws ST4.2×30**.

NOTE: padded set screw of the Glass bracket should be facing down.

Slide the upper **Glass shelf (09)** into the **Glass brackets** and tighten the set screws at the bottom of the brackets. Then slide the bottom **Glass shelf** in place. Tighten the set screws as well.

See Fig. 33 and Fig. 34 for details.

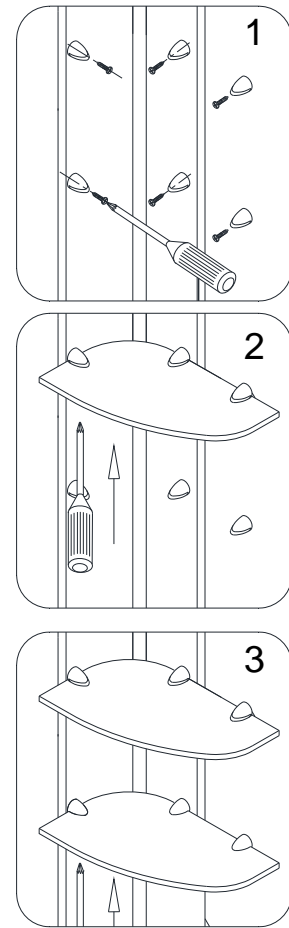


Fig. 33

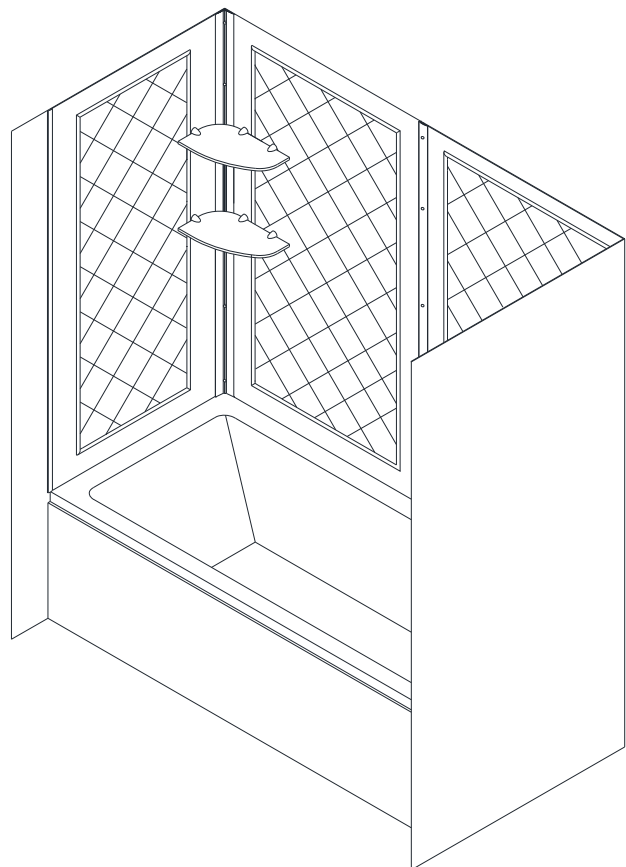


Fig. 34

Product maintenance

To insure long lasting life for your acrylic back walls, wipe them off after each use with a soft cloth. To clean the acrylic back walls use non-abrasive sprays or cream based cleaners. Never use abrasive cleansers, metal brushes or scrapers that could scratch or dull the surface.

Acrylic cleaning procedure:

Acrylic should be cleaned with warm water and a clean, nonabrasive cloth. If desired, a mild, nonabrasive detergent may also be used. Use only light pressure when cleaning. Avoid rubbing dirt or grit into the surface. Turn the cloth often and replace with a clean cloth frequently. Dry by blotting gently with a clean, dry cloth.

DO NOT USE:

Window cleaning sprays, alcohol, kitchen abrasive compounds, or solvents (such as acetone, gasoline, or thinners). Do not use ammonia based cleaning solutions on the acrylic as it will eat into the surface and cause it to damage.

How do you get scratches out of Acrylic?

For light scratches, use a buffing compound such as a car wax. Use the buffer or slightly buff the surface by hands until scratches disappear.

DREAMLINE™ EXCLUSIVE LIMITED WARRANTY AS OF MAY 6, 2013

This warranty extends only to the original owner/end-user for household use only and is not transferable to a subsequent owner. This warranty extends for a designated period of time, so long as it remains in use in its original place of installation. This warranty applies only to DreamLine products purchased from an authorized dealer in United States or Canada. Proof of purchase (original sales receipt) from the original consumer purchase must be provided with all warranty claims.

IN NO EVENT SHALL THE LIABILITY OF DREAMLINE EXCEED THE PURCHASE PRICE OF THE UNIT.

DreamLine products must be installed by a fully insured and licensed professional. Installation of DreamLine product by anyone other than fully insured licensed professionals shall **VOID THE WARRANTY**. DreamLine recommends that such licensed professionals have experience in the installation of bathroom products. Installation of certain products, including, without limitation, glass products (i.e., shower and tub doors) by an inexperienced installer may result in glass breakage and, consequently, cause personal injury or death.

PARTS ONLY WARRANTY

This warranty is extensive in that it covers replacement of all defects. LABOR CHARGES AND/OR DAMAGE INCURRED IN INSTALLATION, REPAIR, OR REPLACEMENT, AS WELL AS ANY OTHER KIND OF LOSS OR DAMAGE ARE EXCLUDED

COMMERCIAL USE AND OTHER EXCLUSIONS

This warranty excludes all industrial, commercial and business usage, whose purchasers are hereby extended a one (1) year limited warranty from the date of purchase for shower and tub doors, a three (3) month limited warranty from the date of purchase for vanities and sinks, with all other terms of this warranty applying except the duration of the warranty.

DREAMLINE JETTED AND STEAM SHOWER CABINS, DREAMLINE SHOWER COLUMNS AND DREAMLINE SHOWER SEATS ARE NOT INTENDED FOR COMMERCIAL USE AND THERE IS NO WARRANTY EXTENDED FOR THESE PRODUCTS FOR COMMERCIAL USE.

DreamLine hereby disclaims all warranties for products sold as dealer or store displays. DreamLine hereby disclaims all warranties for products used outside of the United States or Canada whether expressed or implied, including but not limited to the implied warranties of merchantability and fitness for a particular purpose.

WARRANTY TERMS

DreamLine will, at its election, repair or replace the product found by DreamLine in its sole judgment, to be defective within the warranty period under normal residential use and maintenance. The replacement of a product is limited to supplying a replacement product or part (same as existing or if not available, comparable product). DreamLine warranty obligation shall be discharged upon tender of parts, replacement or repair of the product. Purchaser's refusal to accept the tender terminates all warranty obligations and **VOIDS THE WARRANTY**. Cost of freight for returning products to DreamLine for repairs or replacement under this limited warranty are the responsibility of the customer. Cost of freight associated with shipping of replacement product or parts to the customer may be charged to customer. Any product replaced or repaired during the warranty period will be covered only for the remaining period of the original warranty. In no event will DreamLine be liable for costs of repair or replacement of any installation material, including but not limited to tiles, marble, etc.

DREAMLINE IS NOT RESPONSIBLE FOR INSTALLATION, REMOVAL OR REINSTALLATION COSTS OF ANY PRODUCT REQUIRING WARRANTY SERVICES.

Any modification or alteration of any DreamLine products will void the warranty. DreamLine product installations and repairs must be performed by either a DreamLine authorized agent or a licensed, insured and experienced professional contractor - installation or repairs performed by any other party shall void the warranty. This warranty shall not apply to breakage or damages caused by normal wear and tear, fault, carelessness, abuse, misuse, misapplication, improper maintenance, alteration or modification of the unit, as well as chemical or natural corrosion, accident, fire, flood, act of God or any other casualty. Improper care and cleaning will void the warranty. Use of cleaners containing abrasive cleansers, ammonia, bleach, acids, waxes, alcohol, solvents or other products not recommended for chrome or similar finish, glass or acrylic will void the warranty. For additional product maintenance instructions please refer to product installation manual. DreamLine is not responsible for any issues arising in connection with errors or omissions in information provided on DreamLine's websites. The warranty does not extend to any non-DreamLine plumbing or components installed by installers, end users or by any party other than DreamLine.

THE FOREGOING WARRANTIES ARE IN LIEU OF ALL OTHER WARRANTIES, EXPRESSED OR IMPLIED, INCLUDING BUT NOT LIMITED TO THE IMPLIED WARRANTIES OF MERCHANTABILITY AND FITNESS FOR A PARTICULAR PURPOSE. BATH AUTHORITY LLC ("DREAMLINE") AND/OR SELLER DISCLAIMS ALL LIABILITY FOR SPECIAL, INCIDENTAL OR CONSEQUENTIAL DAMAGES. DREAMLINE IS NOT LIABLE FOR PERSONAL INJURIES OR DEATH TO ANY PERSON OR FOR ANY DIRECT, SPECIAL, INCIDENTAL OR CONSEQUENTIAL DAMAGE, LOSS OF USE, LOSS OF TIME, LOSS OF PROFITS, INCONVENIENCE, INCIDENTAL EXPENSES, LABOR OR MATERIAL CHARGES, OR ANY OTHER COSTS RESULTING FROM THE USE OF ITS PRODUCTS OR PERTAINING TO THE APPLICATION OF THE PRESENT WARRANTY, OR RESULTING FROM THE REMOVAL OR REPLACEMENT OF ANY PRODUCT OR ELEMENT OR PART COVERED BY THIS WARRANTY.

PRODUCT WARRANTY PERIODS

DreamLine is not responsible for product code compliance or for verifying building code restrictions on installation or use and any such compliance is excluded from this warranty. DreamLine reserves the right to modify this warranty at any time - such warranty modifications will not alter the warranty applicable at the time of sale of the products in question. The warranty terms for specific products for consumer (non-industrial, non-commercial, non-business use only) are:

SHOWER BACKWALL, SHOWER CABINS (JETTED & STEAM)

DreamLine warrants shower backwalls and shower cabins to be free from defects in workmanship for a period of one (1) year from initial date of purchase by the owner/end-user, contractor or builder from an authorized dealer.

SHOWER & TUB DOORS, SHOWER ENCLOSURES

DreamLine warrants shower doors, tub doors and shower enclosures to be free from defects in workmanship and materials under normal residential use for a period of five (5) years from the initial date of purchase by the owner/end-user, contractor or builder from an authorized dealer. Warranty for plastic strips shall be limited to one (1) year. Warranty for any part in Oil Rubbed Bronze finish shall be limited to one (1) year.

SHOWER BASES

DreamLine warrants shower bases to be free from defects in workmanship and materials under normal residential use for as long as the original consumer purchaser owns their home in which their product is installed.

SHOWER COLUMNS

DreamLine warrants shower columns to be free from defects in workmanship and materials under normal residential use for a period of one (1) year from the initial date of purchase by the owner/end-user, contractor or builder from an authorized dealer.

SHOWER SEATS

DreamLine warrants shower seats to be free from defects in workmanship and materials under normal residential use for a period of one (1) year from the initial date of purchase by the owner/end-user, contractor or builder from an authorized dealer. Warranty shall be VOID if the shower seat is not professionally installed on a properly reinforced wall.

VANITIES AND VESSEL SINKS

DreamLine warrants bathroom vanities and vessel sinks to be free from defects in workmanship and materials under normal residential use for a period of one (1) year from the initial date of purchase by the owner/end-user, contractor or builder from an authorized dealer.

STATE LAWS AND THIS WARRANTY

Some states/provinces do not allow limitations on how long an implied warranty lasts, or the exclusion or limitation of special, incidental or consequential damages, so these limitations and exclusions may not apply to you. This warranty gives you specific legal rights. You may also have other rights, which vary from state/province to state/province.

WARRANTY SERVICE

The following information will be required for you to file a Warranty claim:

1. Your name, address and telephone number
2. Product model number
3. Brief description of problem (please note that additional information such as a photo may be required to fully process your warranty claim)
4. Proof of purchase

You may submit this information by e-mail, mail or fax to:

DreamLine
Warranty Service Center
75 Hawk Road
Warminster, PA 18974
F:1-866-857-3638
T:1-866-731-2244

Warranty@bathauthority.com



TEL: 866-731-8378 – 215-957-1411

FAX: 866-227-9245 – 215-893-1780

WWW.BATHAUTHORITY.COM

For more information on [DreamLine™ Tub Back Wall](http://www.BathAuthority.com) please visit www.BathAuthority.com