

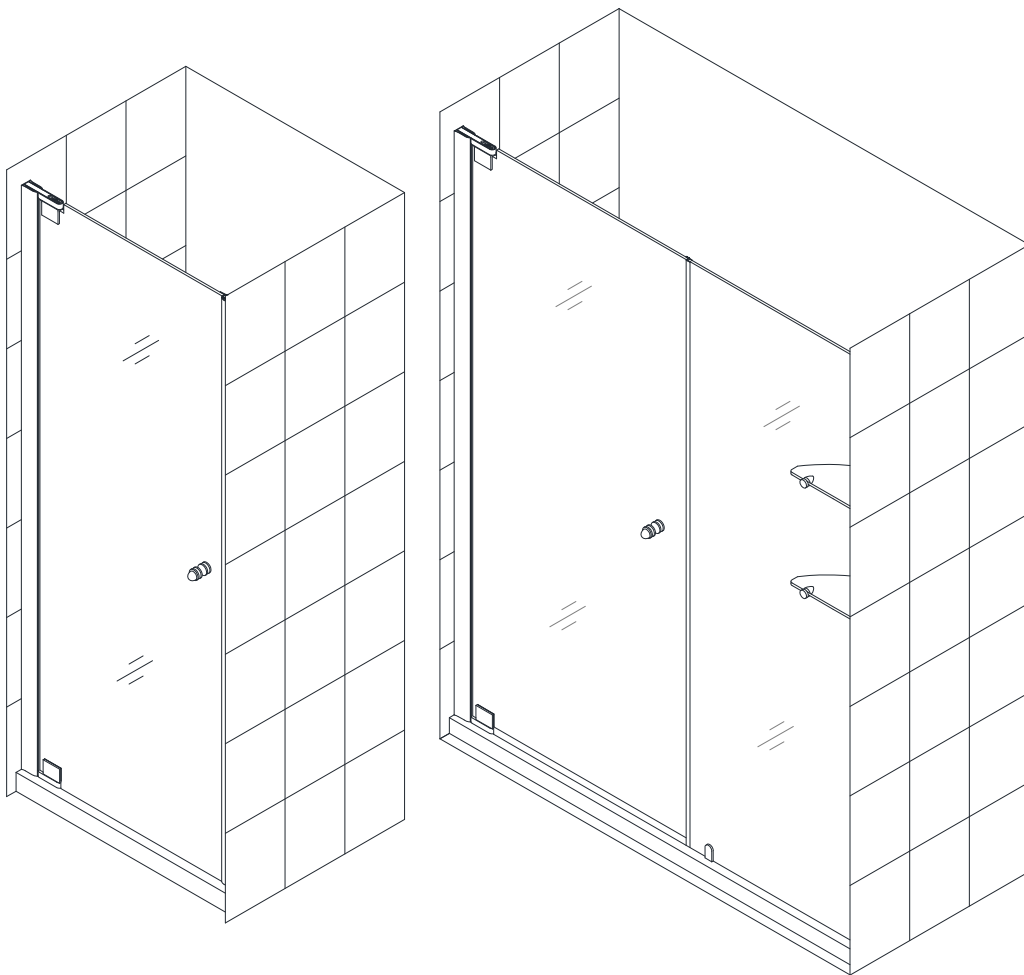


## ELEGANCE

### SHOWER DOOR INSTALLATION INSTRUCTIONS

#### IMPORTANT

DreamLine™ reserves the right to alter, modify or redesign products at any time without prior notice. For the latest up-to-date technical drawings, manuals or any other details please refer to the [support.BathAuthority.com](http://support.BathAuthority.com) web page.



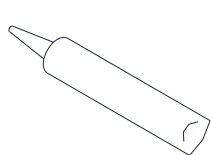
Please carefully read the instructions before installing. If you have any questions regarding installation, please call our technical support specialists Monday through Friday 9:00 AM – 5:00 PM EST at 1-866-731-8378, ext. 3 or e-mail our technical support group at [support@BathAuthority.com](mailto:support@BathAuthority.com).

For more information on [DreamLine™ Shower Doors](http://www.BathAuthority.com) please visit [www.BathAuthority.com](http://www.BathAuthority.com)

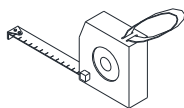
## **Preparation**

1. After opening all boxes and packages, read this introduction carefully. Check that all of the needed parts are included in the package, by marking all the components on the "Detailed Diagram of Shower Enclosure Components". Examine boxes and packages for shipping damage. If the unit has been damaged, has a finishing defect, or has missing parts, please contact our customer support department within 3 business days of the delivery date. Please note that **DreamLine™ will not replace any damaged products or missing parts free of charge after 3 business days or if the product has been installed.** Feel free to contact DreamLine™ if you have any questions.
2. **Please note that you should consult your local building codes with questions on installation compliance standards. Building and plumbing codes may vary by location, and DreamLine is not responsible for code compliance standards for your project.**
3. If this unit is going to be installed in a new construction, please, install all of the required plumbing and drainage before installing the shower. **Use a competent and licensed (if required by local code) plumber for all plumbing installation**
4. Please insure that prior to the installation the installation surface is leveled and solid and will be able to support the total weight of the unit. Also make sure the walls are at right angles. While some adjustment in leveling of the door is possible, irregular installation surface level or improper angle of side walls will result in serious problems for your installation. Please, note that some adjustments and drilling might be necessary during the installation process.
5. **Please, NOTE! The door has 1" out-of-plumb adjustment on each side.**
6. a) If the width of your door is less than **37<sup>3</sup>/<sub>4</sub>"** and you are installing the door without stationary glass, you only need to refer to **(Diagram A)** with **(Packing List A)**.  
b) If the width of your door is **37<sup>1</sup>/<sub>4</sub>"** and over, and you are installing the door and stationary glass with glass shelves, you have to use **(Diagram A and B)** with **(Packing List A and B)** to complete the installation

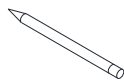
## **Tools Required**



Caulk



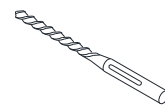
Tape Measure



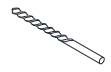
Pencil



Phillips Screwdriver



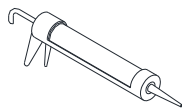
Drill bit  
(Ø=5/16")



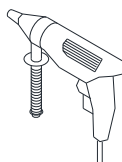
Drill bit  
(Ø=3/16")



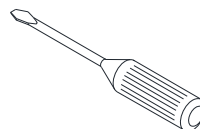
Level



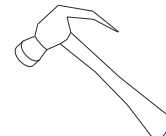
Caulk Gun



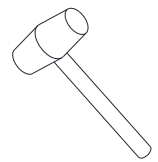
Electric Drill



Flat Screwdriver

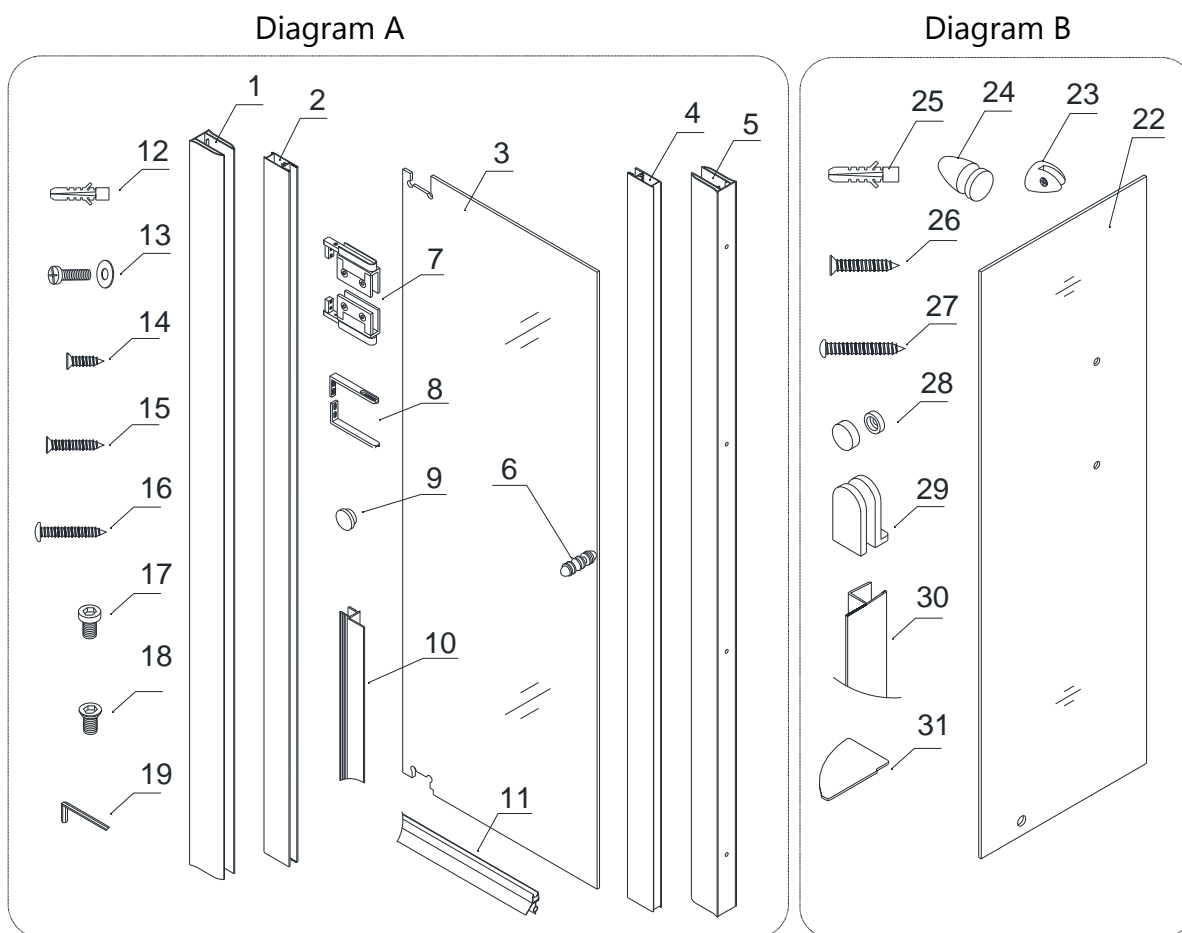


Hammer



Mallet

## Detailed Diagrams of Shower Door Components



### Packing List A

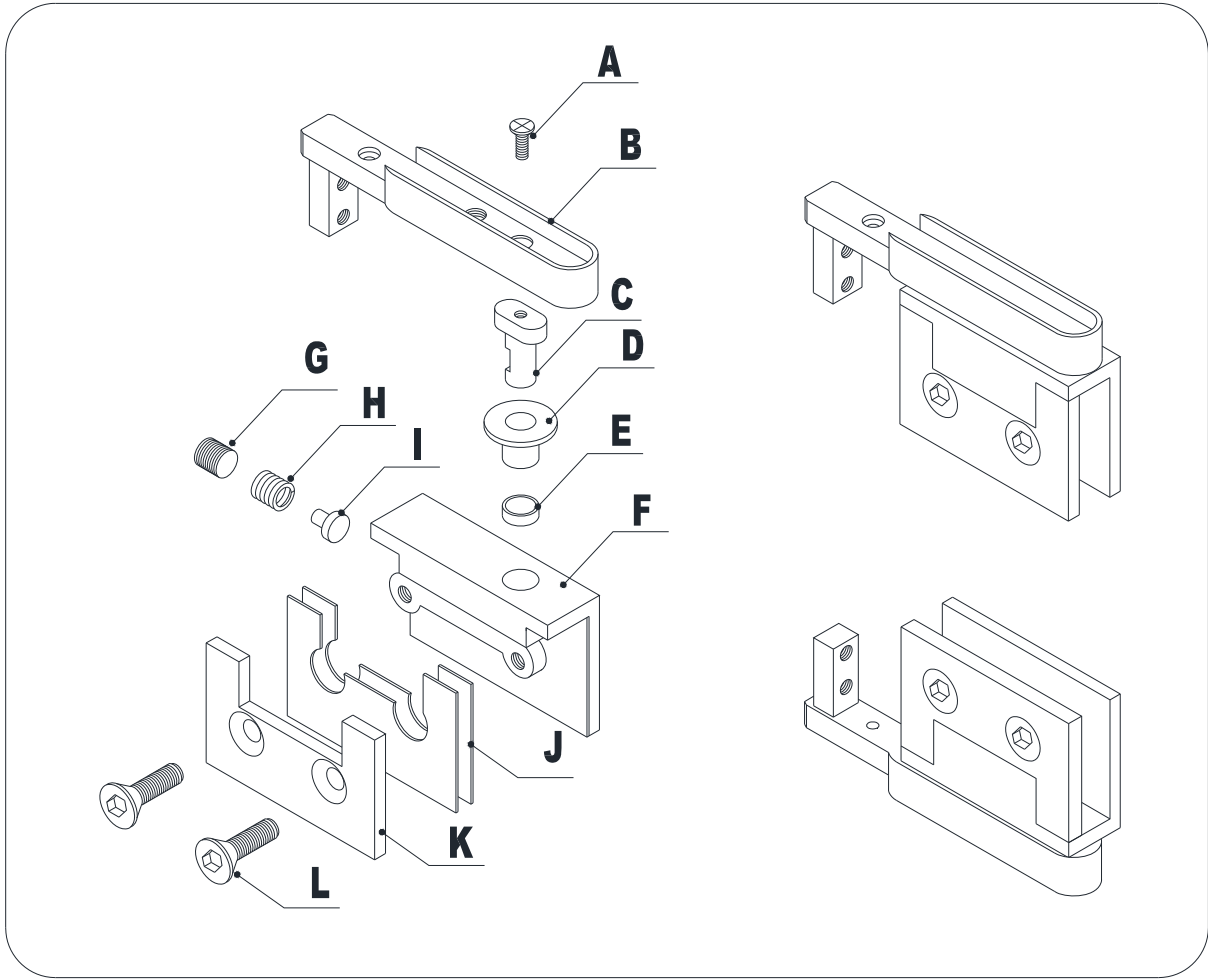
01	Wall profile for glass door	1pc	11	Bottom anti-water strip	1pc
02	Glass profile for glass door	1pc	12	Wall anchor	12pcs
03	Glass door	1pc	13	Bolt M4×16 (with washer)	4pcs
04	Glass profile	1pc	14	Flat head screw ST4.2×16	6pcs
05	Wall profile	1pc	15	Flat head screw ST4.2×25	2pcs
06	Handle	1pair	16	Round head screw ST4.2×30	13pcs
07	Pivot assembly (upper and bottom)	1pair	17	Round head socket bolt M6×12	1pc
08	Pivot retainer (upper and bottom)	1pair	18	Flat head socket bolt M6×12	1pc
09	Decorative cover	6pcs	19	Hex wrench	2pcs
10	Anti-water strip	2pcs			

### Packing List B (Only for door with stationary glass)

22	Stationary glass	1pc	27	Round head screw ST4.2×25	1pc
23	Shelf bracket (without nut)	4pcs	28	Decorative cover	1pc
24	Shelf bracket (with nut)	2pcs	29	Bracket	1pc
25	Wall anchor	4pcs	30	Anti-water strip	1pc
26	Flat head screw ST4.2×25	4pcs	31	Glass shelf	2pcs

**NOTE:** Unpack your unit carefully and inspect it. Lay it out and identify all parts using the detailed diagram and packing list in your manual as a reference. Before discarding the carton, check for small hardware bags that tend to fall to the bottom of the box. If any parts are damaged or missing, please contact DreamLine™ for replacement.

## Self Closing Pivot Assembly Parts List



A	Flat head bolt M4x8	1pc	G	Bolt M12x10	1pc
B	Pivot bracket	1pc	H	Spring	1pc
C	Pivot axis	1pc	I	Core	1pc
D	Washer A	1pc	J	Spacer	4pcs
E	Washer B	1pc	K	Back plate	1pc
F	Pivot body	1pc	L	Bolt	2pcs

## Shower Door Installation

1. Place the **Wall profile for glass door (01)** on the shower base or the threshold vertically against the finished wall. Adjust the **Wall profile for glass door** vertically using a level. Mark the drill holes on the wall through the predrilled holes in the **Wall profile for glass door**. Now drill holes in the wall and insert the **Wall anchor (12)**.

See Fig. 1 for details.

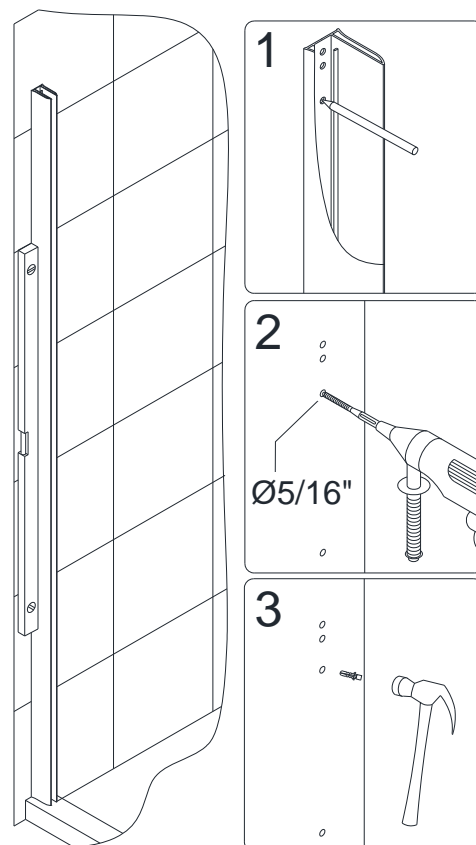


Fig. 1

2. Push the **Pivot retainers (08)** into both ends of the **Wall profile for glass door (01)**.

See Fig. 2 for details.

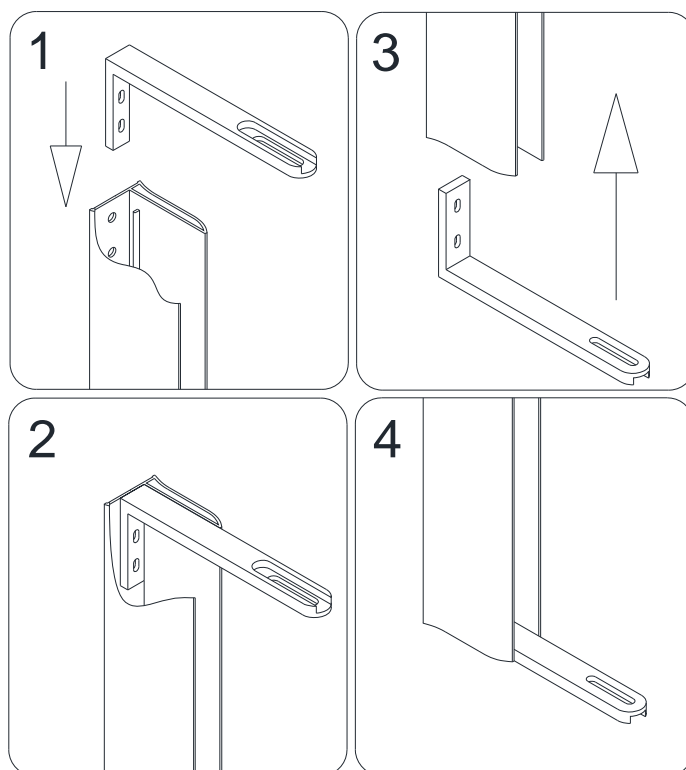


Fig. 2

3. Run a silicone bead along the holes on the wall.  
Attach the **Wall profile for glass door (01)** and **Pivot retainer (08)** to the wall using **Round head screws ST4.2×30 (16)**.

See Fig. 3 for details.

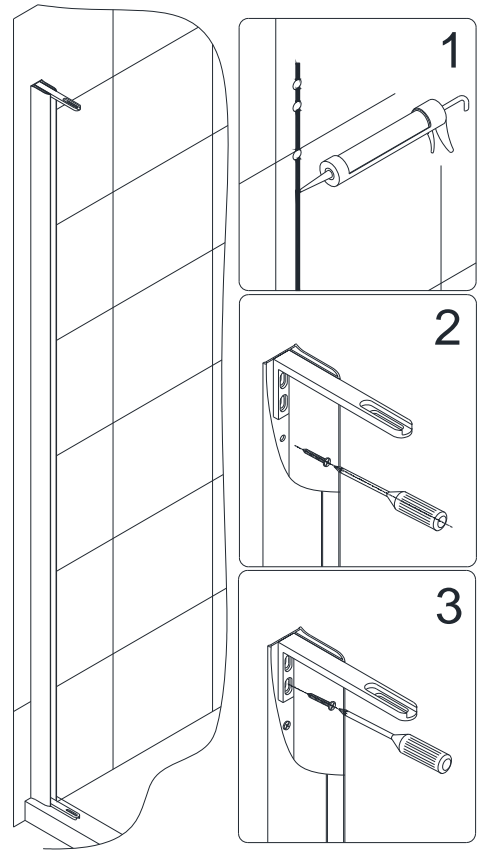


Fig. 3

4. Attach the **Pivot assembly (07)** to the top and the bottom ends of the **Glass profile for glass door (02)** with the **Flat head screws ST4.2×25 (15)** and **M4×16 bolt (13)**.

See Fig. 4 for details.

**NOTE:** The **Back plate (K)** of the **Pivot assembly** should face inside of your shower.

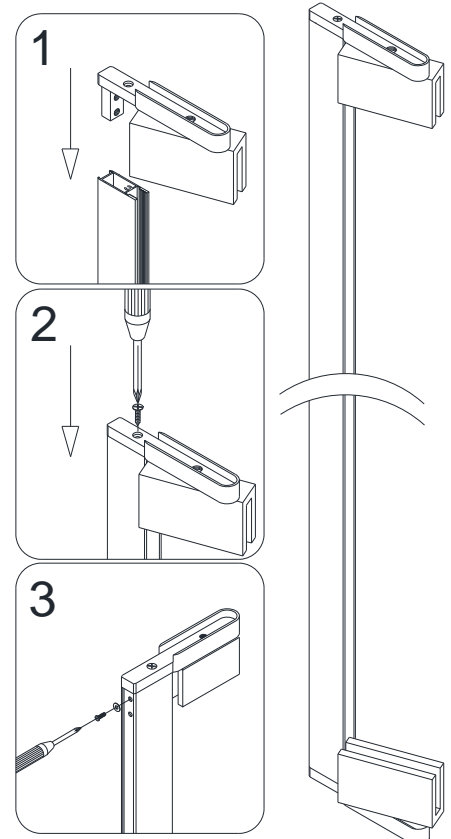


Fig. 4

5. Slide the **Glass profile for glass door (02)** with **Pivot assemblies (07)** into the groove of the **Wall profile for glass door (01)** and secure the upper **Pivot retainer (08)** to the upper **Pivot assembly (07)** with **Round head socket bolt M6×12 (17)**.

See Fig. 5 for details.

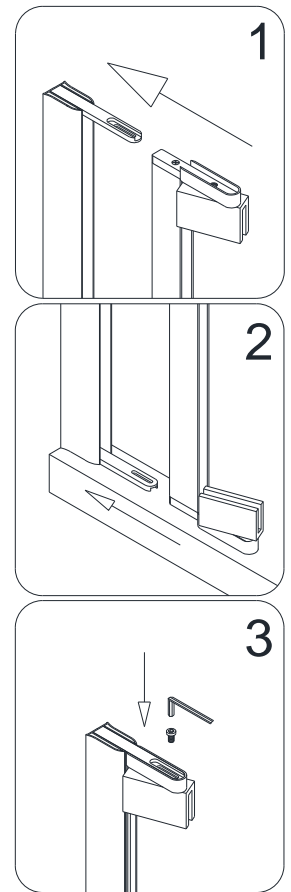


Fig. 5

**NOTICE:**

**The Glass door has 2 cuts for the Pivot assemblies. The deeper cut must be on the top.**

6. Remove the **Bolts (L)** and **Back plates (K)** from the upper and bottom **Pivot assemblies (7)**.

Place the **Glass door (3)** to the **Pivot assemblies**, attach **Back plates (K)** to its position and fasten tight the **Bolts**.

Make sure the clear rubber **Spacers (J)** are in between the glass and the metal parts. Secure tight the **Glass door** to the **Pivot assemblies**.

See Fig 6 for details.

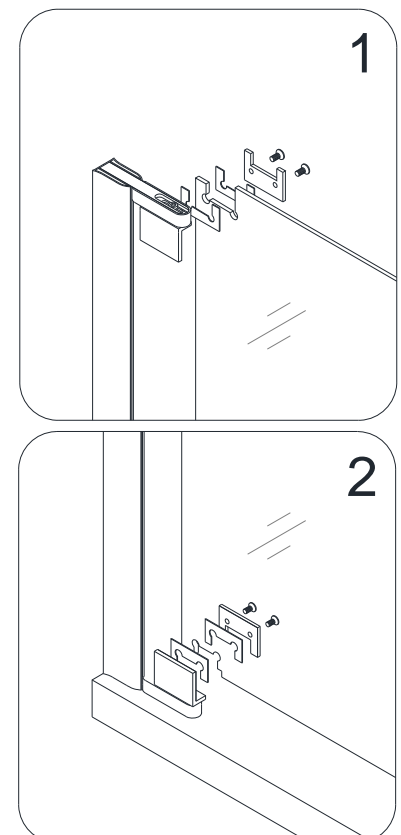


Fig. 6

7. Mount the **Handle (06)** onto the **Glass door (03)**.

See Fig. 7 for details.

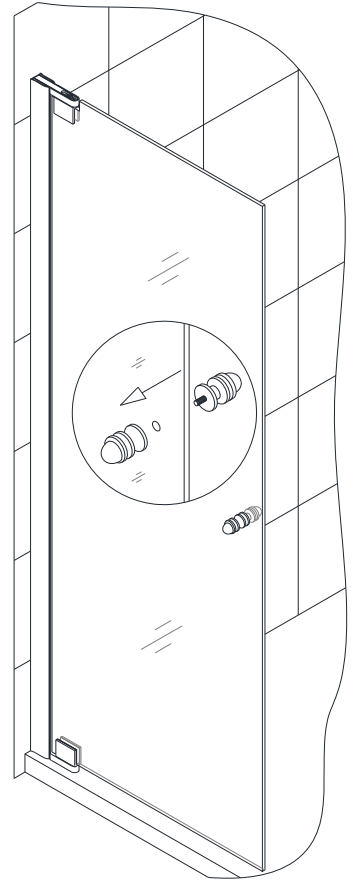


Fig. 7

8. Open the **Glass door (03)**.

See Fig. 8 for details.

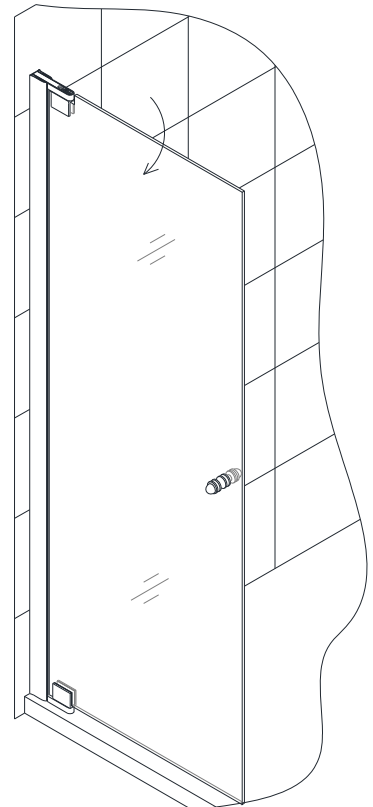


Fig. 8

9. Close the hole in the bottom **Pivot retainer (08)** with **Flat head socket bolt M6×12 (18)** or you can attach the **Pivot retainer** to the Shower base or threshold using **Flat head screw ST4.2×30 (16)**.  
Apply silicone sealant over the **Screw (16)** or **Bolt (18)** to prevent leakage.

See Fig. 9 for details.

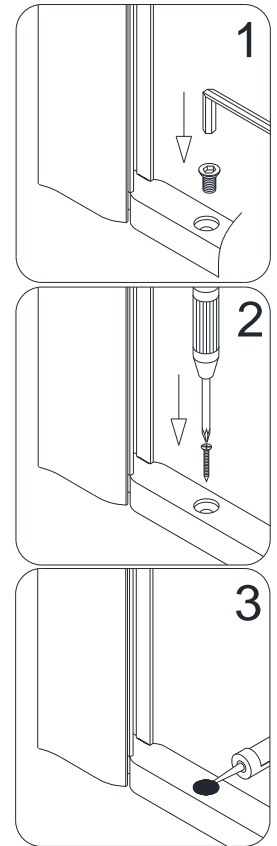


Fig. 9

10. Push the **Anti-water strip (10)** into the vertical groove of the **Glass profile for glass door (02)**.  
Attach the **Bottom anti-water strip (11)** onto the glass door.  
(You can cut the strips to size by using a knife).

See Fig. 10 for details.

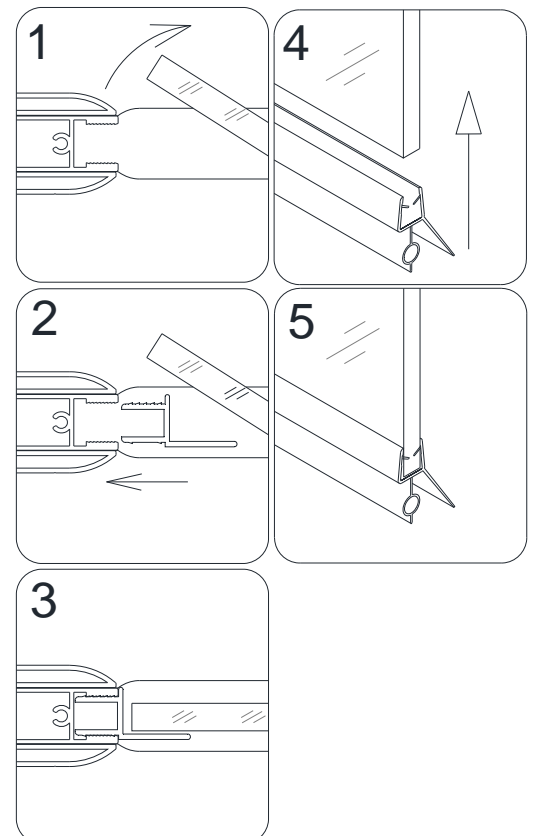


Fig. 10

## **ATTENTION:**

- a) If the width of your door is less than **37<sup>3</sup>/<sub>4</sub>"** and you are installing the door without stationary glass, you only need to refer to **(Diagram A)** with **(Packing List A)** and follow to Steps 11-16
- b) If the width of your door is **37<sup>1</sup>/<sub>4</sub>"** and over, and you are installing the door and stationary glass with glass shelves, you have to use **(Diagram A and B)** with **(Packing List A and B)** to complete the installation and follow to Steps 17-24

11. Push the **Glass profile (04)** into the groove of the **Wall profile (05)** and push the **Anti-water strip (10)** into the groove of the **Glass profile**.

Close the **Glass door (03)**. Adjust the position of the **Glass door** and position of the **Wall profile** on the wall to ensure the **Glass door** has a tight contact with the flange of the **Anti-water strip** from top to bottom.

See Fig. 11 for details.

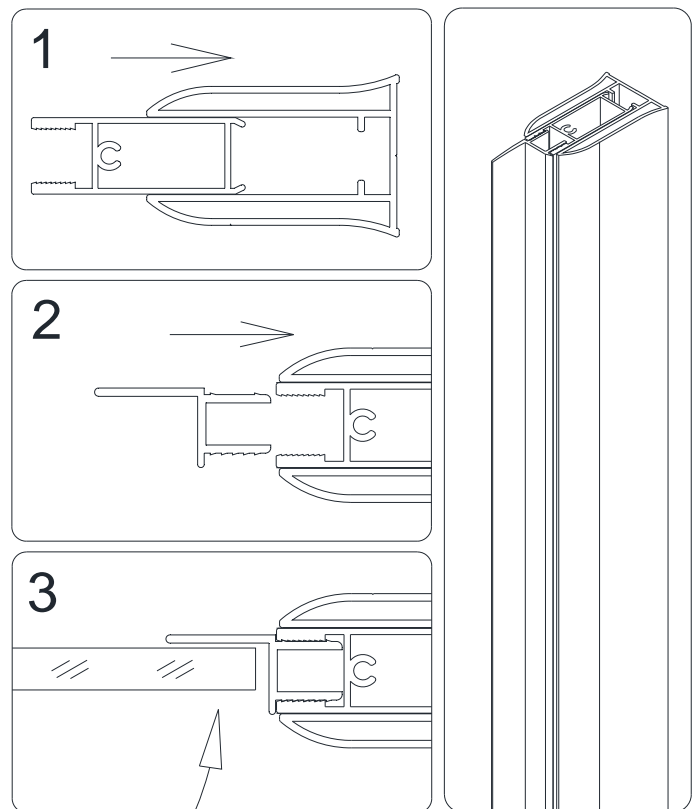


Fig. 11

12. Use a level to ensure that the **Glass door (03)** and the **Wall profile (05)** is absolutely vertical.

Draw a line along the vertical edge of the **Wall profile (05)** on the wall. Detach the **Wall profile** from the **Glass profile (04)**. Place the **Wall profile** to the outlined position and mark the drilling holes through the predrilled holes in the **Wall profile**.

Drill the holes using  $\text{Ø } 5/16''$  drill bit in the wall

See Fig. 12 for details.

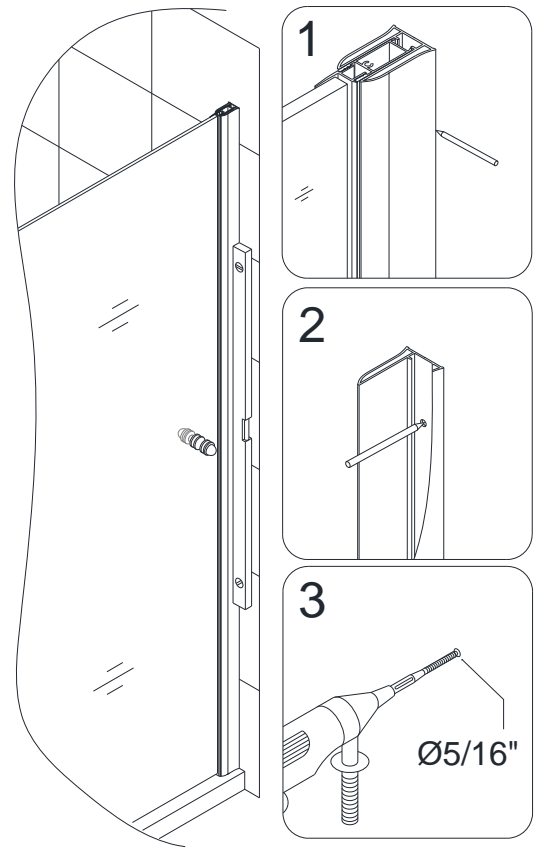


Fig. 12

13. Insert the **Wall anchors (12)** into the holes and apply silicone along the **Wall profile (05)** and around the holes. Fasten the **Wall profile** to the wall with the **Round head Screw ST4.2×30 (16)**.

Push the **Glass profile (04)** assembly back into the **Wall profile**.

See Fig. 13 for details.

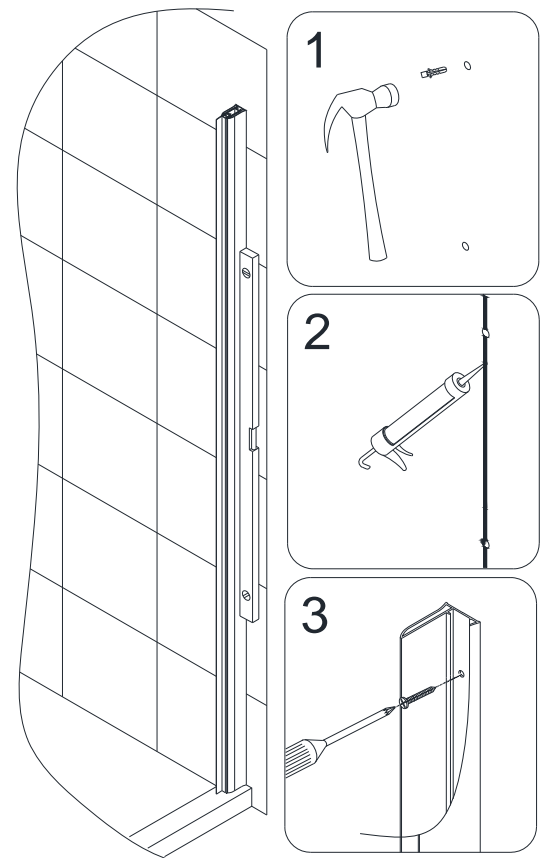


Fig. 13

14. Adjust the width of the **Glass door (03)** by pulling out the **Glass profiles (2)** and **(4)** if it necessary for size of your door.

Adjust the **Glass door** using a level and tighten in place with the **Round head socket bolt M6×12 (17)**. Close the glass door and make sure that there is 1/16" - 1/8" gap between the glass door and the anti-water strip.

See Fig. 14 for details.

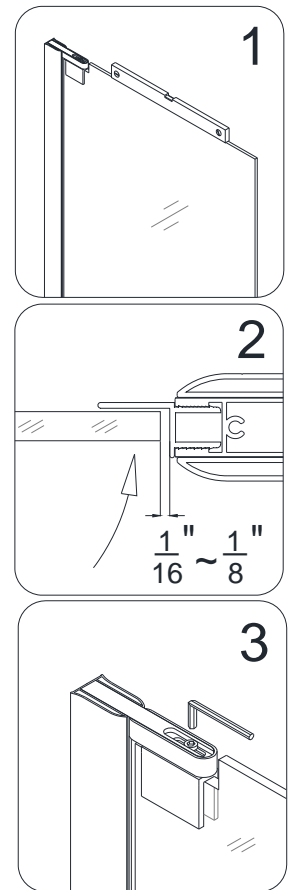


Fig. 14

15. After final adjustments of the **Assembled unit** drill the holes in the **Glass profiles** through predrilled holes in the **Wall profiles** using  $\text{Ø } 1/8''$  drill bit.

**NOTE:** You only need to drill through the first layer of the **Glass Profile**.

Use **Flat head screws ST4.2×16 (14)** to secure the **Glass profiles** inside of the **Wall profiles**. Cover the exposed screw holes with **Decorative cover (09)**.

See Fig. 15 for details.

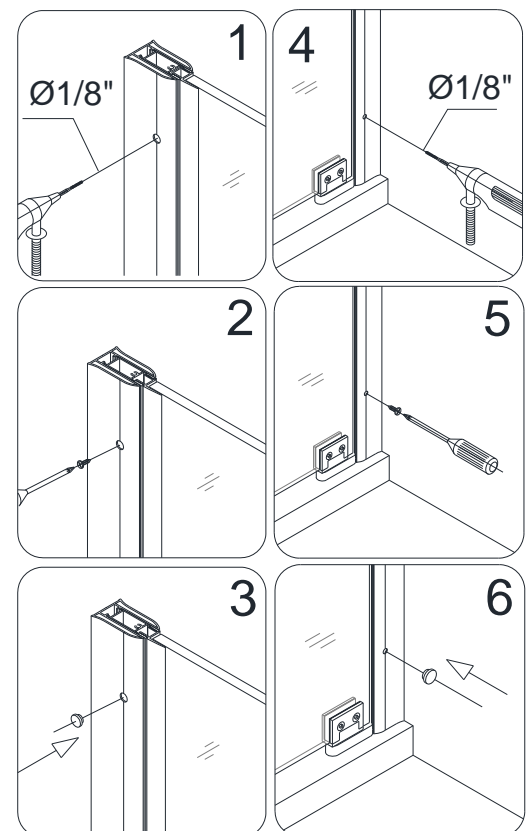


Fig. 15

16. Apply silicone sealant between the tray or threshold and the pivot bracket. Also, apply silicone between the wall and the wall profiles.

See Fig. 16 for details.



Fig. 16

## Stationary Glass Installation

17. Apply clear silicone along the inner chanel of the **Glass profile (04)** and push the **Stationary glass (22)** inside the chanel.

**NOTE:** If you have difficulty sliding the **Glass profile** over the **Stationary glass**, you can slightly tap on the **Glass profile** with a rubber mallet and a piece of wood. Please do not strike directly on the profile.

Slide the **Stationary glass** with the **Glass profile** into the groove of the **Wall profile (05)**.

See Fig. 17 for details.

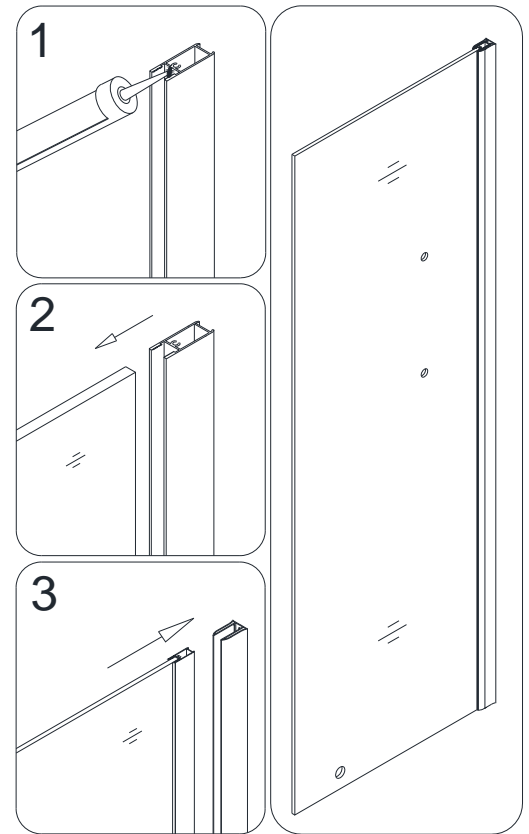


Fig. 17

18. Push the **Anti-water strip (30)** onto the vertical edge of the **Stationary glass (22)**. Place the **Stationary glass** onto the shower base or threshold. Close the **Glass door (03)**. Use a level to ensure that the **Glass door (03)** and the **Stationary glass** is absolutely vertical.

See Fig. 18 for details.

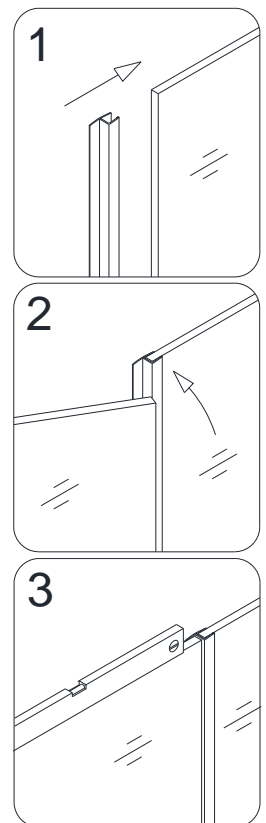


Fig. 18

19. Use a level to ensure that the **Glass door (03)** and the **Wall profile (05)** is absolutely vertical and the **Glass door** has a tight contact with the flange of the **Anti-water strip (10)** from top to bottom.

Draw a line along the vertical edge of the **Wall profile** on the wall. Detach the **Wall profile** from the **Glass profile (04)**. Place the **Wall profile** to the outlined position and mark the drilling holes through the predrilled holes in the **Wall profile**.

Drill the holes using  $\text{Ø } 5/16''$  drill bit in the wall

See Fig. 19 for details.

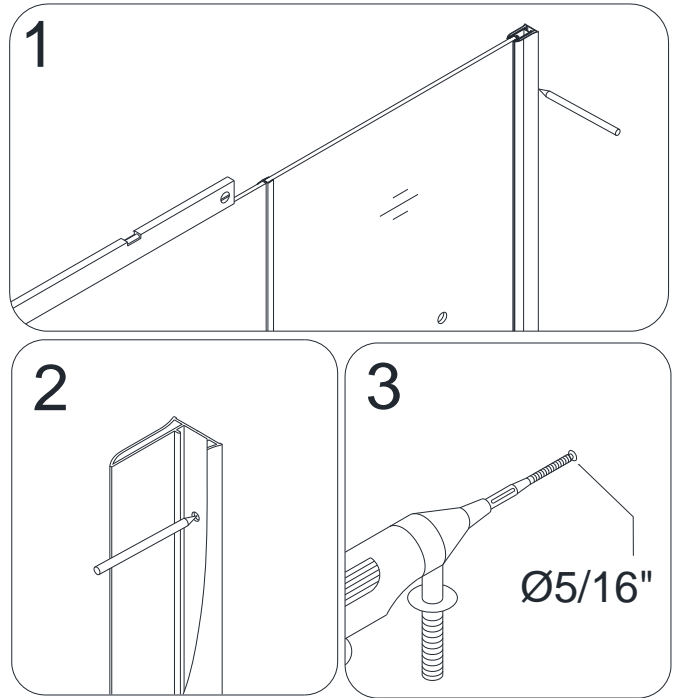


Fig. 19

20. Insert the **Wall anchors (12)** into the holes and apply silicone along the **Wall profile (05)** and around the holes. Fasten the **Wall profile** to the wall with the **Round head Screw ST4.2×30 (16)**.

Push the **Stationary glass (22)** with the **Glass profile (04)** back into the **Wall profile**.

See Fig. 20 for details.

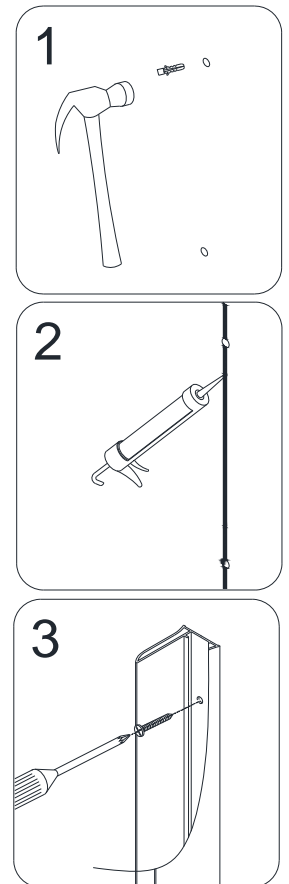


Fig. 20

21. Adjust the width of the opening section of the **Glass door (03)** by loosen the holding screws on the **Pivot assemblies (07)**. Level the **Glass door** and the **Stationary glass (22)** position to ensure the **Glass door** has a tight contact to the flange of the **Anti-water strip (10)** from top to bottom.

Install the **Bracket (29)** onto the **Stationary glass** and drill the hole using  $\text{Ø } 1/8''$  drill bit.

Use **Round head screws ST4.2×25 (27)** to attach the **Bracket** to the shower base or the threshold.

Cover the screw location with **Decorative cover (28)**.

See Fig. 21 for details.

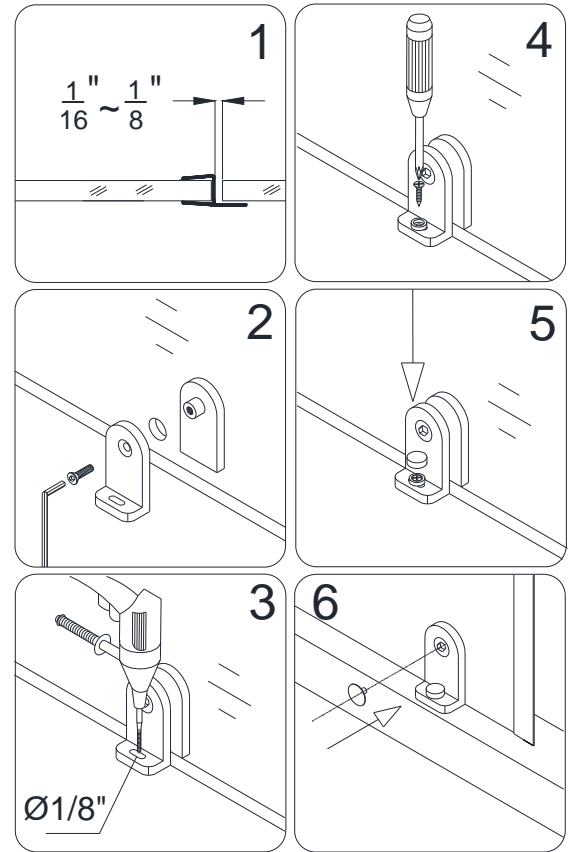


Fig. 21

22. After final adjustments of the **Assembled unit** drill the holes in the **Glass profiles** through predrilled holes in the **Wall profiles** using  $\text{Ø } 1/8''$  drill bit.

**NOTE:** You only need to drill through the first layer of the **Glass Profile**.

Use **Flat head screws ST4.2×16 (14)** to secure the **Glass profiles** inside of the **Wall profiles**. Cover the exposed screw holes with **Decorative cover (09)**.

See Fig. 22 for details.

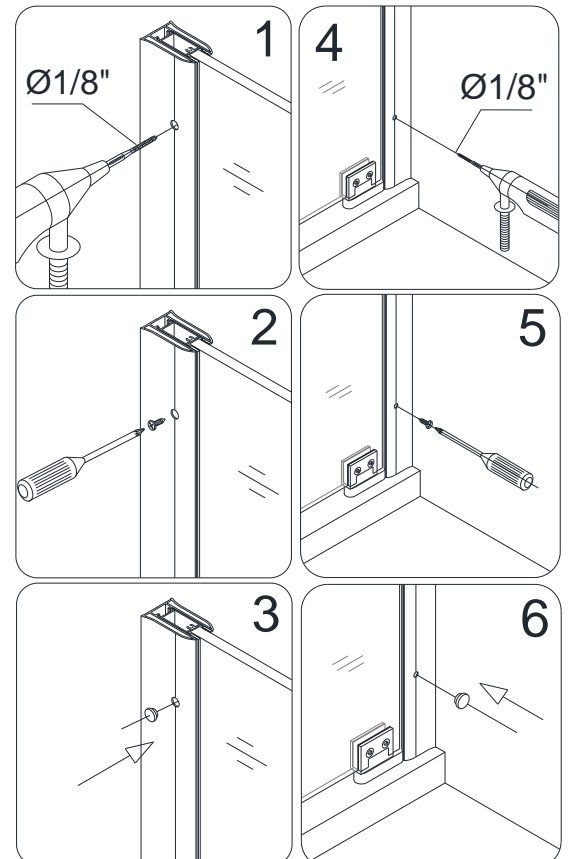


Fig. 22

## Glass shelves installation

23. Mark the **Glass shelf (31)** position on the wall. According to the measurements in Fig. 21.1, mark the drilling holes on the wall for the **Shelf brackets (23)**. Drill the holes using  $\varnothing 5/16''$  drill bit and insert the **Wall anchors (25)**.

Attach the **Shelf brackets (23)** to the wall using the **Flat head screw ST4.2×25 (26)** and attach the **Shelf brackets (24)** to the **Stationary glass (22)**.

Insert the **Glass shelves** into the **Shelf brackets** and fasten the screws at the bottom of the brackets

See Fig. 23 and Fig. 24 for details.

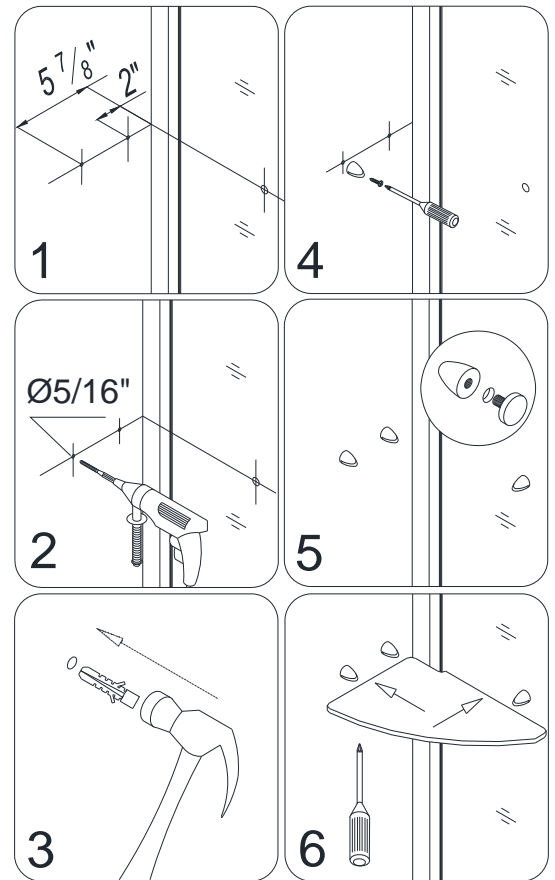


Fig. 23

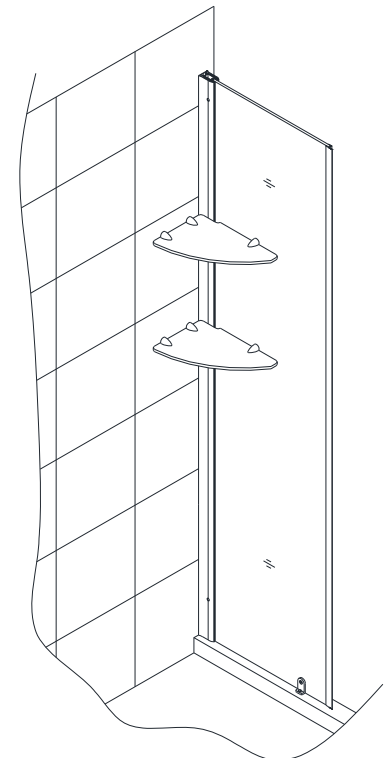


Fig. 24

24. Apply silicone sealant between the tray or threshold, the stationary glass and the accessory.  
Also, apply silicone between the wall and the wall profiles.

See Fig. 25 for details.

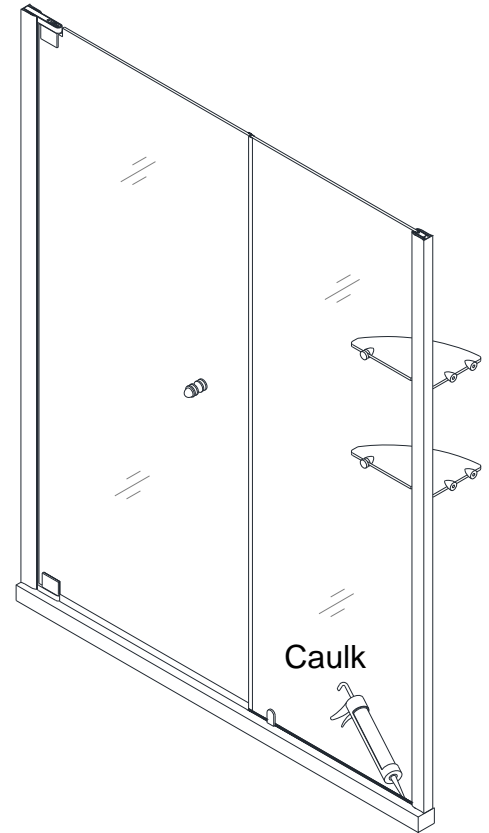


Fig. 25

**NOTE:** If you need to install the door on the right wall, simply exchange the position of the wall profile for glass door (01) and the wall profile (05) and turn it upside down.

See Fig. 25 & Fig. 26

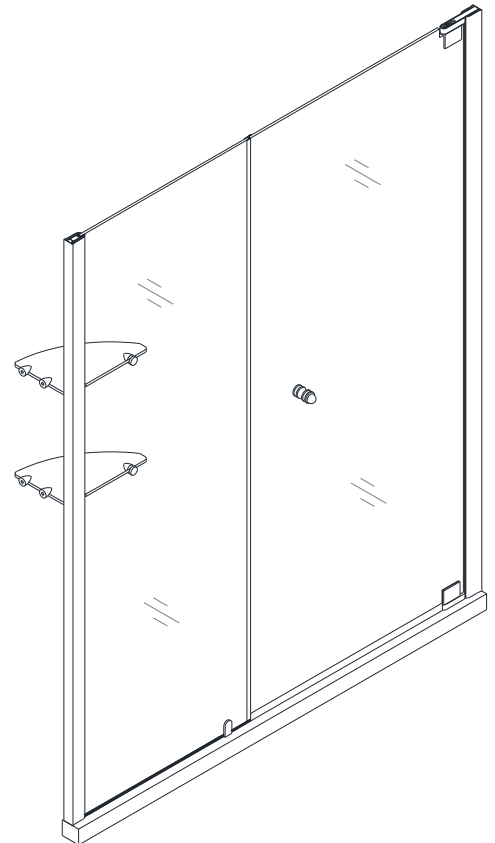


Fig. 26

## **Maintenance**

To insure long lasting life for your acrylic back walls, wipe them off after each use with a soft cloth. To clean the acrylic back walls use non-abrasive sprays or cream based cleaners. Never use abrasive cleansers, metal brushes or scrapers that could scratch or dull the surface.

To insure long lasting life for your glass shower products, wipe them off after each use with a soft cloth. Rinse and wipe of the glass using either soft cloth or squeegee to prevent soap buildup. Never use abrasive cleaners and cleaning products that contain scoring agent because this may scratch the surface. Never use bristle brushes or abrasive sponges.

To assure a long lasting finish wipe off the metal parts after each use with a soft cloth. Do not use abrasive cleaners or cleaning products containing ammonia, bleach or acid. If accidentally used, rinse the surface as soon as possible to prevent finish peeling or corrosion. After cleaning the shiny finishes, rinse thoroughly and wipe dry with soft cloth. Clean stainless steel surfaces at least once a week. When applying stainless steel cleaner or polish, work with (not across) the grain. Never use abrasive sponge or cloth, steel wool or wired brushes.

**This is Bath Authority LLC's ("DreamLine") exclusive written warranty effective April 1, 2011**

This warranty extends only to the original owner/end-user for household use only and is not transferable to a subsequent owner. This warranty applies only to DreamLine™ products purchased from an authorized dealer and installed in United States or Canada. Proof of purchase (original sales receipt) must be provided with all warranty claims. **In no event shall the liability of DreamLine™ exceed the purchase price of the unit.**

If DreamLine™ shower doors, shower enclosures and shower bases are used commercially, DreamLine™ warrants such products to be free from defects in material and workmanship for one (1) year from initial date of purchase from an authorized dealer, with all other terms of this warranty applying except duration. If DreamLine™ vanities, vessel sinks and shower columns are used commercially, DreamLine™ warrants such products to be free from defects in material and workmanship for three (3) months from initial date of purchase from an authorized dealer, with all other terms of this warranty applying except duration. **DreamLine™ Jetted and Steam Shower Cabins are not intended for commercial use and there is no warranty extended for these products for commercial use.** DreamLine™ is not responsible for loss of use or profit under any circumstances.

DreamLine™ hereby disclaims all warranties for products sold as a dealer or store displays. DreamLine™ hereby disclaims all warranties for products used outside of the United States or Canada whether expressed or implied, including but not limited to the implied warranties of merchantability and fitness for a particular purpose.

DreamLine™ will, at its election, repair, replace with product of equal value or make appropriate adjustment where DreamLine's analysis or inspection of warranty claim discloses any such defects occurring in normal usage within the warranty period. DreamLine warranty obligation shall be discharged upon tender of replacement or repair. Purchaser's refusal to accept the tender terminates warranty obligation.

Cost of freight for returning products to DreamLine™ for repairs or replacement under this limited warranty are the responsibility of the customer. Cost of freight associated with shipping of replacement product or parts to the customer may be charged to customer. Any product replaced or repaired during the warranty period will be covered only for the remaining period of the original warranty. In no event will DreamLine be liable for costs of repair or replacement of any installation material, including but not limited to tiles, marble, etc. **DreamLine™ is not responsible for installation, removal or reinstallation costs of any product requiring warranty services.**

Improper modification or alterations of any DreamLine™ products will void the warranty. Any DreamLine products repairs must be performed by either a DreamLine authorized agent or a licensed experienced professional contractor. This warranty shall not apply to breakage or damages caused by normal wear and tear, fault, carelessness, abuse, misuse, misapplication, improper maintenance, alteration or modification of the unit, as well as chemical or natural corrosion, accident, fire, flood, act of God or any other casualty. Improper care and cleaning will void the warranty. Never use cleaners containing abrasive cleansers, ammonia, bleach, acids, waxes, alcohol, solvents or other products not recommended for chrome or similar finish, glass or acrylic. This will void the warranty. For additional product maintenance instructions please refer to product installation manuals. The warranty does not extend to any non-DreamLine™ plumbing or components installed by installers, end users or by any party other than DreamLine™.

**THE FOREGOING WARRANTIES ARE IN LIEU OF ALL OTHER WARRANTIES, EXPRESSED OR IMPLIED, INCLUDING BUT NOT LIMITED TO THE IMPLIED WARRANTIES OF MERCHANTABILITY AND FITNESS FOR A PARTICULAR PURPOSE. BATH AUTHORITY LLC ("DREAMLINE") AND/OR SELLER DISCLAIM ALL LIABILITY FOR SPECIAL, INCIDENTAL OR CONSEQUENTIAL DAMAGES. DREAMLINE™ IS NOT LIABLE FOR PERSONAL INJURIES OR DEATH TO ANY PERSON OR FOR ANY DIRECT, SPECIAL, INCIDENTAL OR CONSEQUENTIAL DAMAGE, LOSS OF USE, LOSS OF TIME, LOSS OF PROFITS, INCONVENIENCE, INCIDENTAL EXPENSES, LABOR OR MATERIAL CHARGES, OR ANY OTHER COSTS RESULTING FROM THE USE OF ITS PRODUCTS OR PERTAINING TO THE APPLICATION OF THE PRESENT WARRANTY, OR RESULTING FROM THE REMOVAL OR REPLACEMENT OF ANY PRODUCT OR ELEMENT OR PART COVERED BY THIS WARRANTY.**

DreamLine™ is not responsible for product code compliance or for verifying code restrictions on installation or use and any such compliance is excluded from this warranty. DreamLine™ reserves the right to modify this warranty at any time - such warranty modification will not alter warranty applicable at the time of sale of the products in question. The warranty terms for specific products are:

**SHOWER DOORS, SHOWER ENCLOSURES AND SHOWER BASES**

DreamLine™ warrants shower doors, shower enclosures and shower bases to be free from defects in workmanship and materials under normal residential use for a period of five (5) years from the initial date of purchase by the owner/end-user, contractor or builder from an authorized dealer.

**SHOWER CABINS (JETTED & STEAM)**

DreamLine™ warrants glass, acrylic and finish to be free from defects in workmanship for a period of five (5) years from initial date of purchase by the owner/end-user, contractor or builder from an authorized dealer; and plumbing, electrical and steam generator components for a period of one (1) year from the initial date of purchase by the owner/end-user, contractor or builder from an authorized dealer.

**SHOWER COLUMNS**

DreamLine™ warrants shower columns to be free from defects in workmanship and materials under normal residential use for a period of one (1) year from the initial date of purchase by the owner/end-user, contractor or builder from an authorized dealer.

**VANITIES AND VESSEL SINKS**

DreamLine™ warrants bathroom vanities and vessel sinks to be free from defects in workmanship and materials under normal residential use for a period of one (1) year from the initial date of purchase by the owner/end-user, contractor or builder from an authorized dealer.

Some states/provinces do not allow limitations on how long an implied warranty lasts, or the exclusion or limitation of special, incidental or consequential damages, so these limitations and exclusions may not apply to you. This warranty gives you specific legal rights. You may also have other rights, which vary from state/province to state/province.



---

TEL: 866-731-8378 – 215-957-1411  
FAX: 866-227-9245 – 215-893-1780

[www.BATHAUTHORITY.COM](http://www.BATHAUTHORITY.COM)

For more information on [DreamLine™ Shower Doors](http://www.BathAuthority.com) please visit [www.BathAuthority.com](http://www.BathAuthority.com)