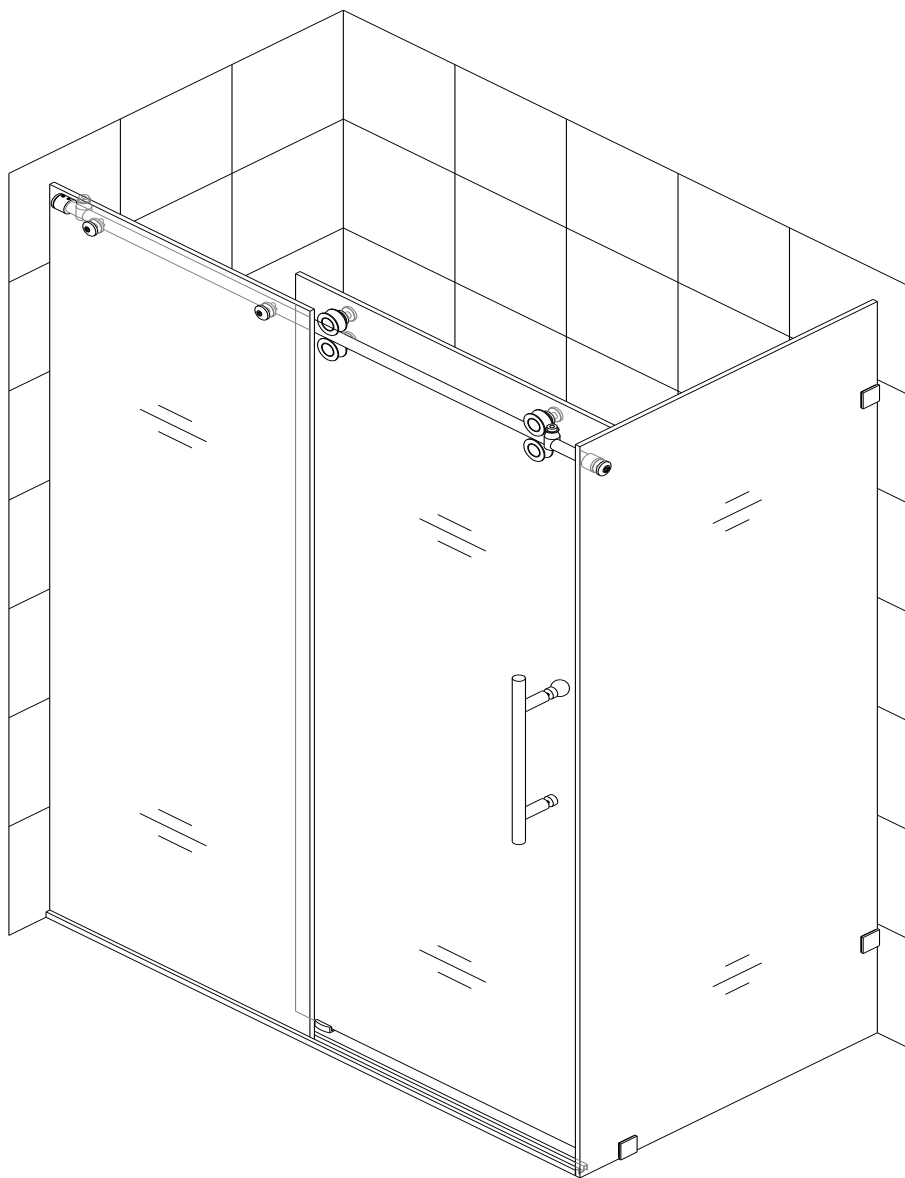




ENIGMA Shower Enclosure Installation Manual

Important

Please read carefully the following instructions before installing your shower door. If you have any questions on this shower Enclosure installation - please call our technical support specialists Monday to Friday 9:00AM – 5:00PM EST at 1-866-731-8378 Option 3 or e-mail our technical support group at support@BathAuthority.com



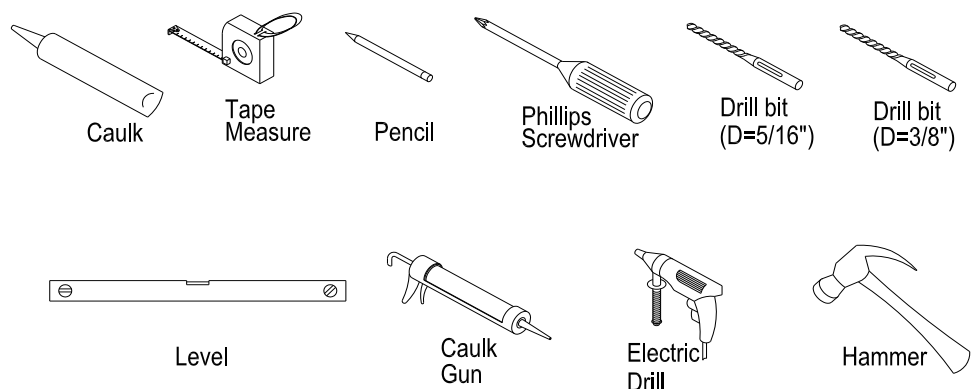
Our product may have changes without prior notice

Attention: This enclosure is extremely heavy and requires professional installation.

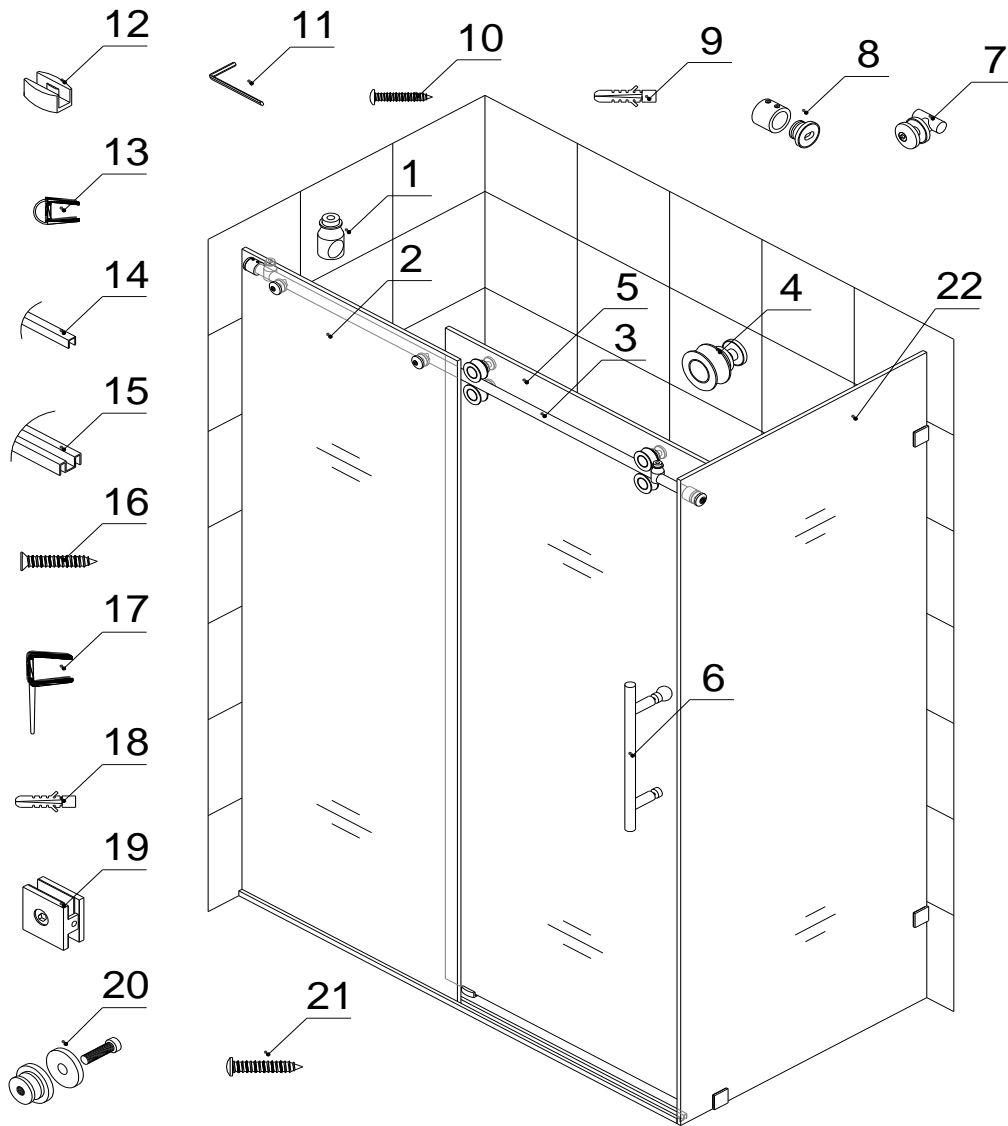
Preparation

1. After opening the boxes, read this introduction carefully, check all the packed parts are complete by cross checking all the components against the "Detailed Diagram of Shower Enclosure Components". Examine for shipping damage. If the unit has been damaged or has a finishing defect, please contact your local distributor within 3 business days. Please note that **Bath Authority™ / DreamLine™ will not replace any damaged product or parts free of charge after 3 business days or if the product has been installed.** Contact your distributor or DreamLine if you have any questions.
2. **Please note that you should consult your local building codes on questions on installation compliance standards. Building and plumbing codes vary by location, and DreamLine is not responsible for code compliance standards for your project.**
3. Please ensure that prior to the installation the floor is leveled and solid. Also make sure the walls are at right angles. While some adjustment in leveling of the door is possible, irregular floor level or improper angle of side walls will result in serious problems for your installation. Please note that there are some adjustments and drilling might be necessary during the installation process.
4. This unit has to be installed against finished floor and walls.
5. **This shower enclosure requires 3 1/2" wide threshold or installation space.**
6. **Please note, step 3 and step 6 are for installation of the enclosure to the wall using anchors. However, the manufacturer strongly suggests installing this heavy enclosure on preinstalled 2x4 wood reinforcement behind the wall and attaching the Wall brackets to it.**

Tools Required



Detailed Diagram of Shower Enclosure Components



Packing List

01	Stopper	2pcs	12	Guide block	1pc
02	Front stationary glass panel	1pc	13	Door edge strip	1pc
03	Running rail	1pc	14	Threshold cover	1pc
04	Roller	4pcs	15	Threshold	1pc
05	Sliding door	1pc	16	Countersunk screw ST4.2x30	6pcs
06	Handle	1pc	17	Anti-water strip	2pcs
07	Glass bracket	2pcs	18	Small anchor 5/16"	9pcs
08	Wall bracket	2pcs	19	Wall & Bottom Return glass Brackets	3pcs
09	Large anchor 3/8"	1pc	20	Glass connector	1pc
10	Round head screw ST6x45	1pc	21	Screw ST4.2x30	3pcs
11	Allen keys 3, 4 and 5mm	1set	22	Return glass panel	1pc

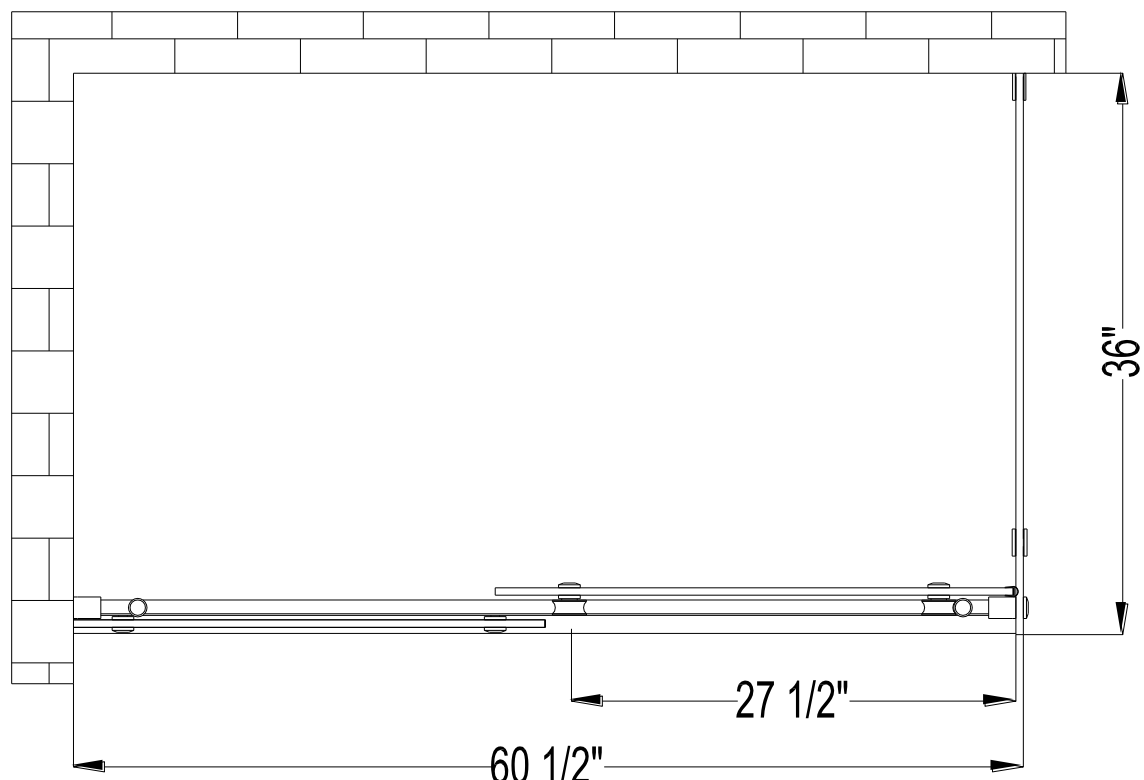
After you have checked that all components are there, you will be ready to start the installation of your DreamLine shower enclosure.

Installation

1. Select the proper place to install the shower enclosure. Refer to the shower enclosure plan for dimensions. Mark out the threshold position on the floor. See fig. 1 for details.
2. Locate the **Threshold (15)** in the package and place it to the desired position. Mark the holes for drilling on the floor. Remove the threshold, drill the holes in the floor and insert **Small anchors 5/16" (18)**. Apply silicone on the bottom of the **Threshold**, place it back into the chosen position and attach it to the floor with **Countersunk screws ST4.2x30 (16)**. See fig.2 for details.
3. a) Take the **Return glass panel (22)** and the **Wall & Bottom Brackets for Return Glass (19)**. Attach the brackets to the glass. See fig. 3&4 for details.
Note: Parts of the **Wall & Bottom Return Glass Brackets** with the mounting holes should face inward so that when the glass panel is in place, mounting bolts are only visible from the inside.
b) Refer to the shower enclosure plan for dimensions and mark them out on the wall. Position the glass according to the dimensions provided in the diagram against the end of the **Threshold**. Level the return glass performing necessary adjustments to ensure that the return glass is parallel to its opposite wall and square against the back wall. See fig. 5 for details.
c) Mark the bracket position. Detach the **Glass Brackets** from **Return glass panel**. Using brackets mark mounting holes for drilling (two on the wall and one on the floor), and then drill the holes. Insert **Small anchors 5/16" (18)**. Secure the wall mounting part of the brackets to the wall with **Screw ST4.2x30 (21)**. See fig. 6&7 for details.
d) Set the **Return glass panel** against the installed wall mounting parts of the bracket from outside and secure it to the fastening bracket parts with bolts and gaskets provided. See fig. 8 for details.
Before you install the Front stationary glass panel (02), you have to take the Sliding door (05) into the shower room and lean it on the wall.
4. Attach the **Running rail (03)** to the **Front stationary glass panel (02)** with preinstalled **Glass brackets (07)**. Slide the **Stoppers (01)** from each end of the running rail and temporarily secure them on the rail. Then slide the **Wall brackets (08)** on each end of the **Running rail** and temporarily secure them as well. See fig. 9&10 for details.
5. a) Attach the **Glass connector (20)** to the **Return glass panel**. See fig. 11-3. Place the **Front stationary glass panel** on the threshold and push the bottom edge into the groove of the **Threshold**. Push the **Stationary glass panel** against the wall. Loosen the **Wall bracket** to attach the **Running Rail** to the **Glass connector** on the **Return Glass panel**. (**Please note that the Running rail should now be inside the enclosure**) See fig. 11 for details.
b) Level the glass and the **Running rail**. If a horizontal adjustment is required, adjust it in the **Glass brackets** and the **Glass connector**. See fig. 12 for details.
c) When the **Front stationary glass** and the **Running rail** had been leveled, slide the **Wall bracket** on the rail against the wall and mark its position with a pencil. Remove the glass panel. Using the **Wall bracket** mark the hole for drilling on the wall and drill the hole. Insert the **Large anchors 3/8" (9)** and screw the male part of **Wall bracket** onto the wall using the **Round head screw ST6x45 (10)** (you only need to use one of the two male parts detached from the wall brackets).
d) Apply a small amount of silicone along of the **Threshold** channel. Place the **Front stationary glass** back in position and attach the **Wall brackets** to the male part on the wall and on the **Return glass panel**. Tighten the fastening set-screws with provided Allen Key on the **Wall brackets** to secure the **Running rail**. See fig. 14 for details.

6. Place the **Guide block (12)** on the floor and parallel it to **Stationary glass panel** with its edge flush with the glass vertical edge. Take a measurement to ensure the distance from the outer surface of the glass to the center line of the guide block is **2 3 /16"**, hold it firmly and mark hole positions on the floor. Remove the block, drill the holes in the floor, insert **Small anchors** and then secure it onto the floor with **Countersunk screw ST4.2x30 (16)**. See fig. 15 for details.
7. Attach two top **Rollers (04)** onto the **Sliding door (05)**. Suspend the door by hanging the rollers onto the **Running rail** and slide the bottom edge of the **Sliding door** in the groove of the **Guide block**. Adjust the fasteners on both top rollers to ensure that the bottom edge of the glass does not touch the bottom of the guide block. Then mount two lower **Rollers (04)** onto the door to secure the door to the **Running rail**. Secure it in place. See fig. 16&17 for details.
8. Push the **Threshold cover (14)** onto the threshold when the door is in the opened position. Mount the **Handle (06)** onto the door. See fig. 18 for details.
9. Push on the **Door edge strip (13)** on the sliding door and also push on the **Anti-water strip (17)** on the stationary glass and the sliding door. See fig. 19 for details.
10. Adjust both **Stoppers (01)** to ensure that they are positioned upright and the door is in its maximum opening and closing range. See fig. 20 for details.
11. Seal with silicone between threshold and floor and between glass panels and walls. See fig. 21 for details.

Shower Enclosure Plan



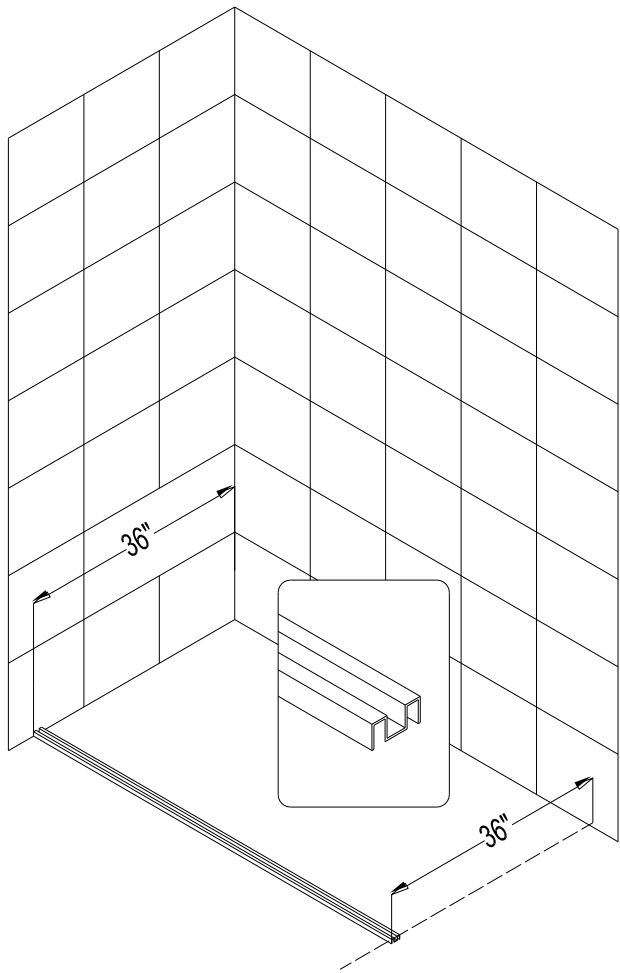


Fig. 1

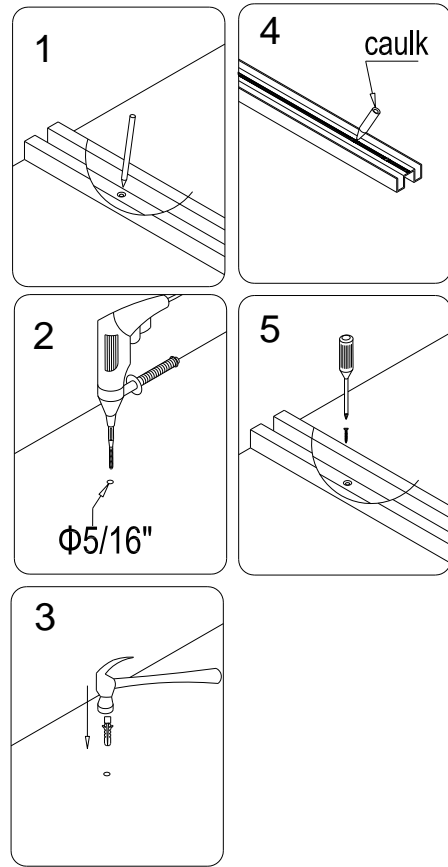


Fig. 2

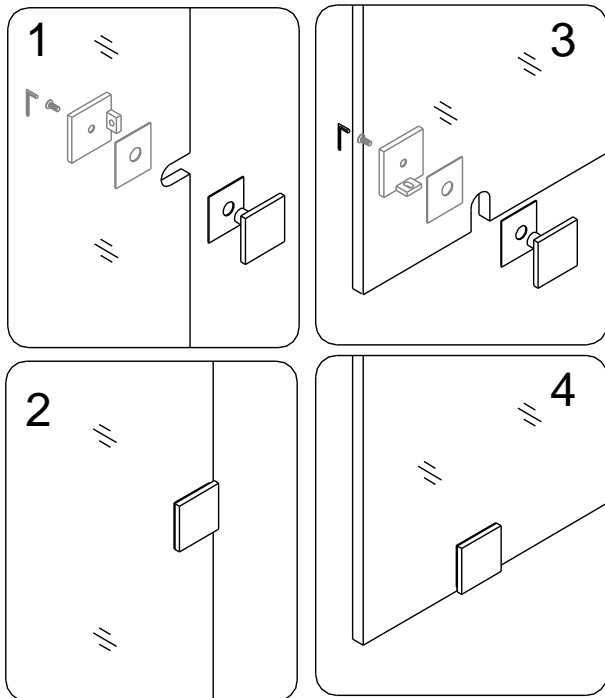


Fig. 3

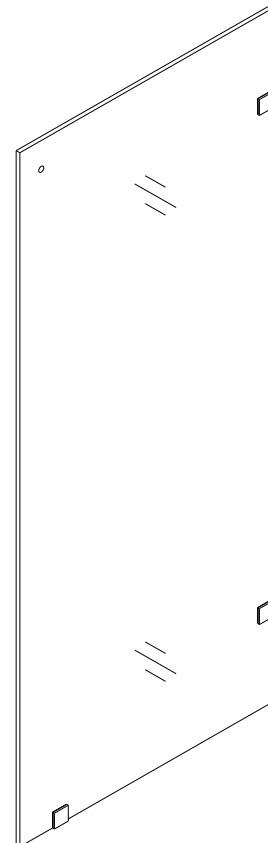


Fig. 4

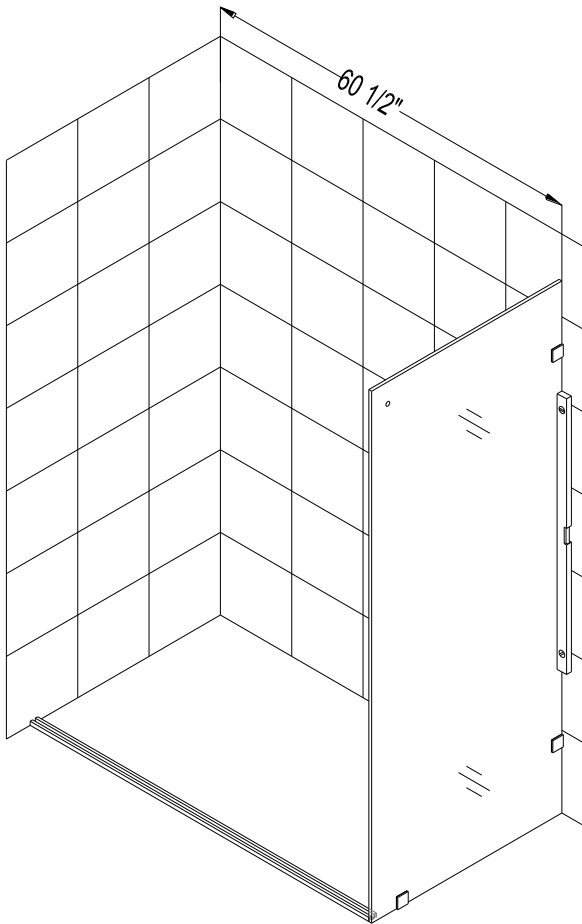


Fig. 5

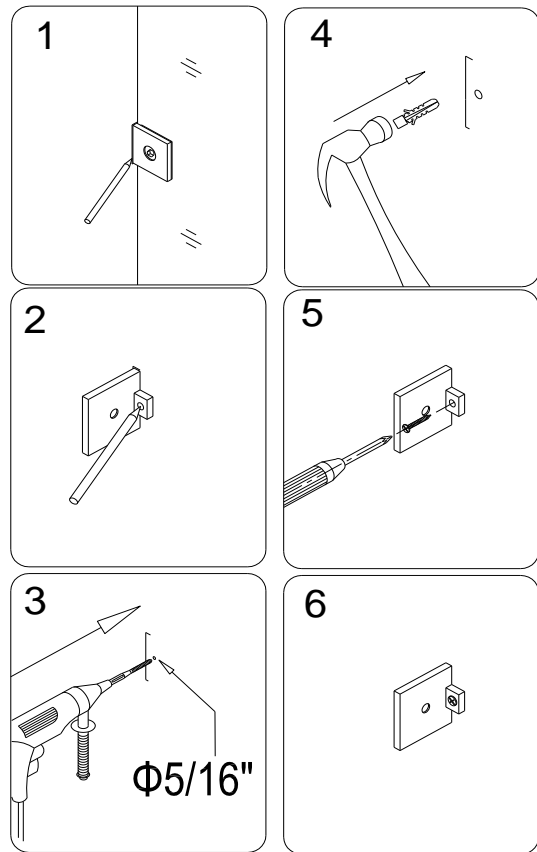


Fig. 6

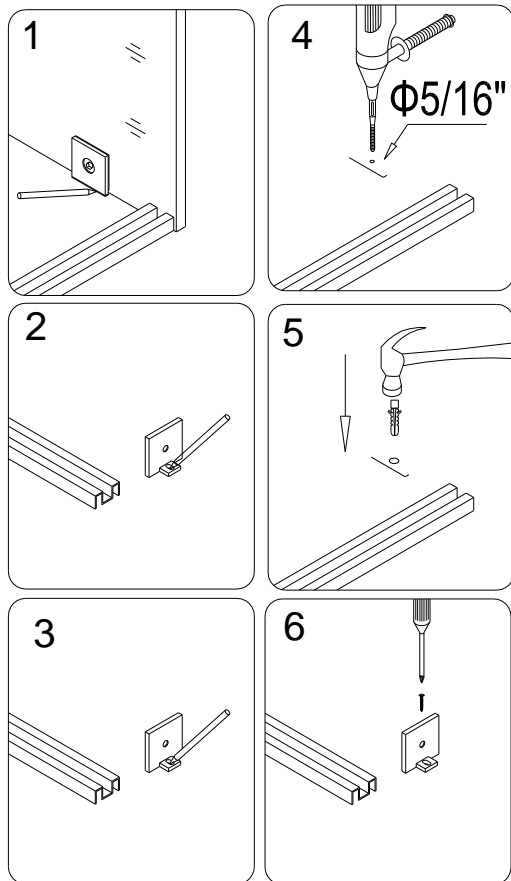


Fig. 7

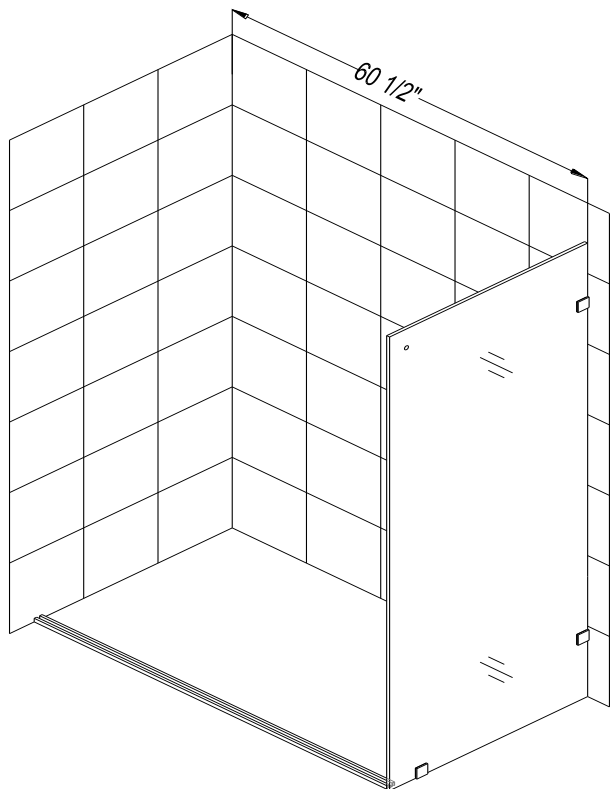


Fig. 8

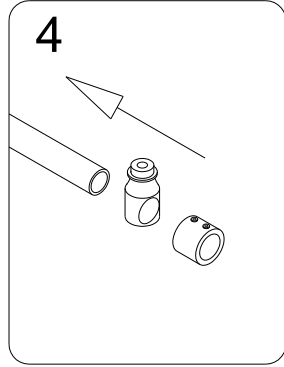
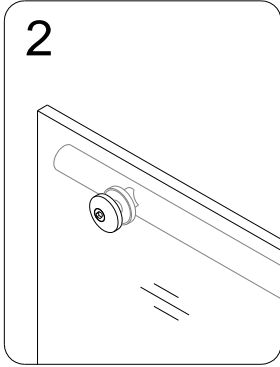
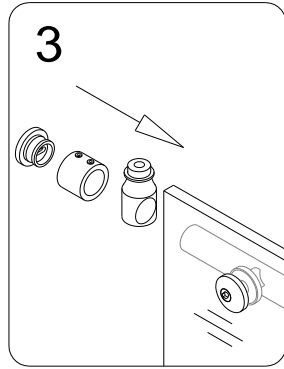
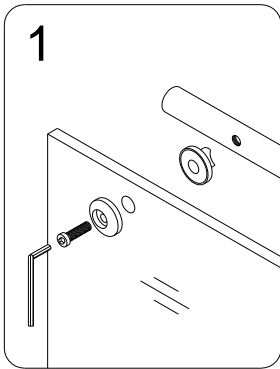


Fig. 9

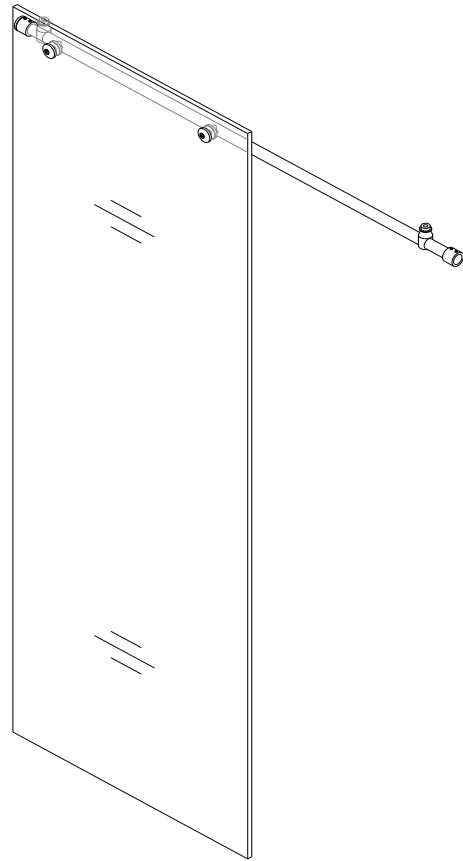


Fig. 10

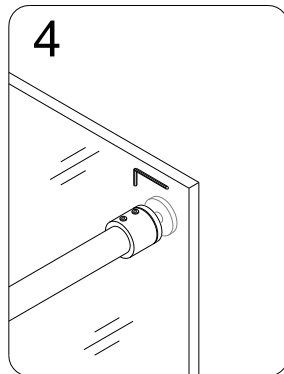
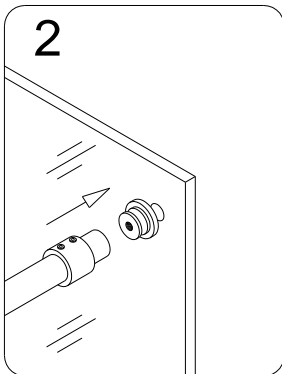
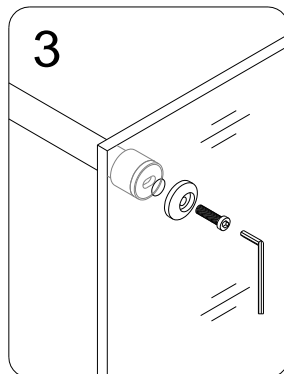
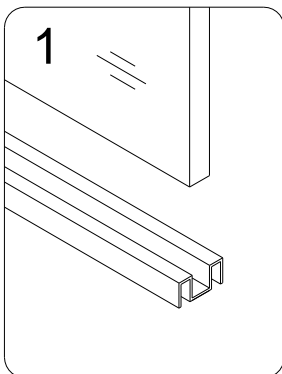


Fig. 11

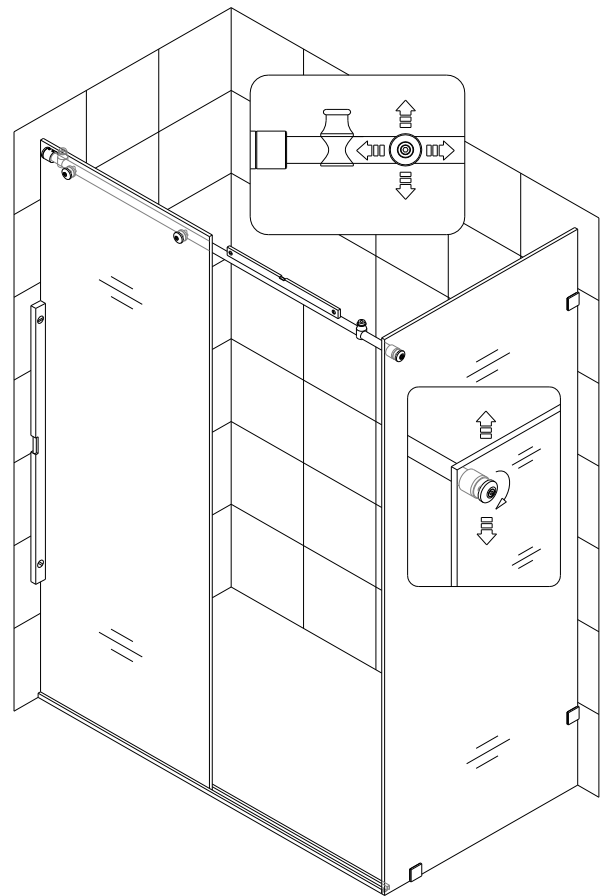


Fig. 12

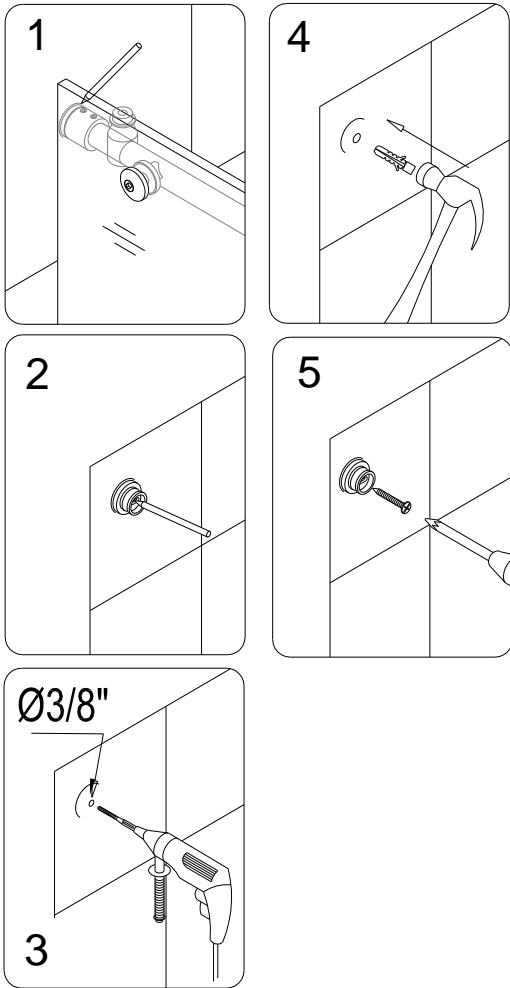


Fig. 13

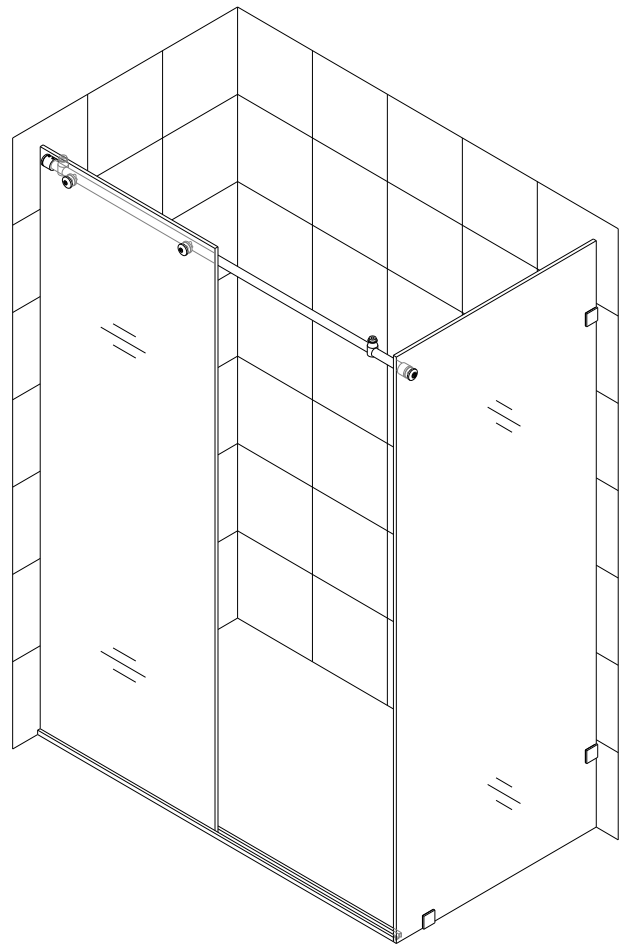


Fig. 14

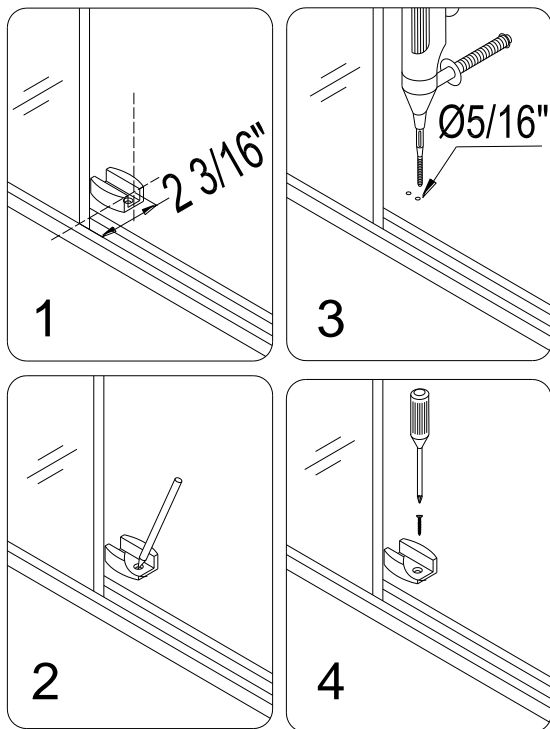


Fig. 15

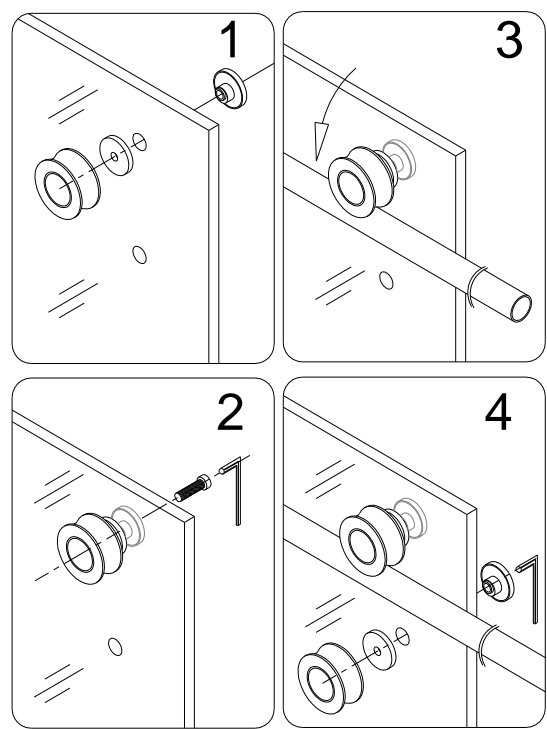


Fig. 16

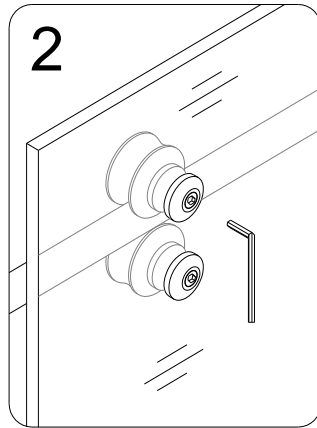
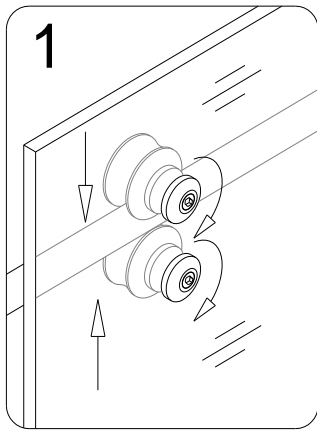


Fig. 17

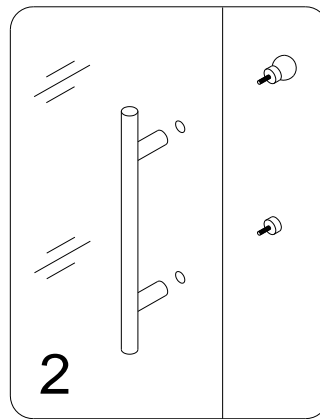
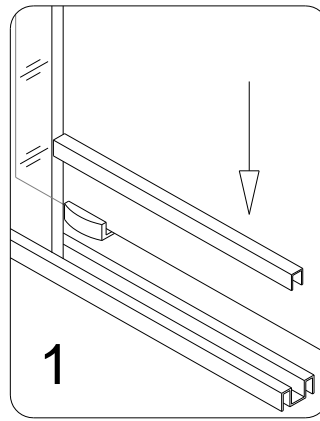


Fig. 18

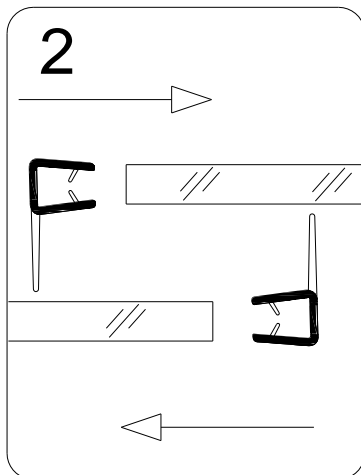
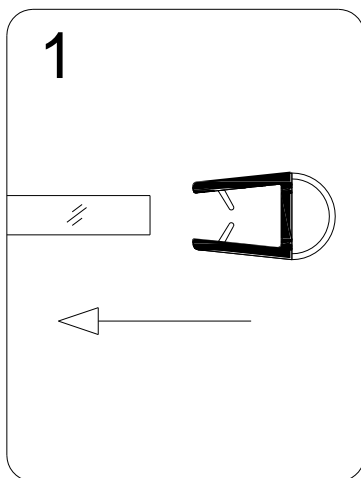


Fig. 19

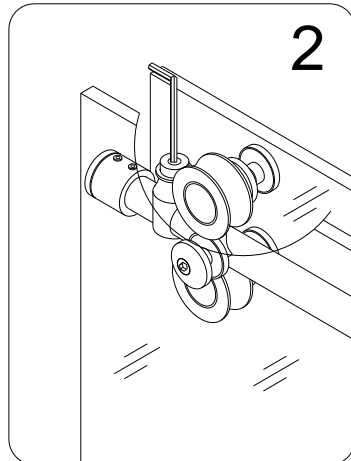
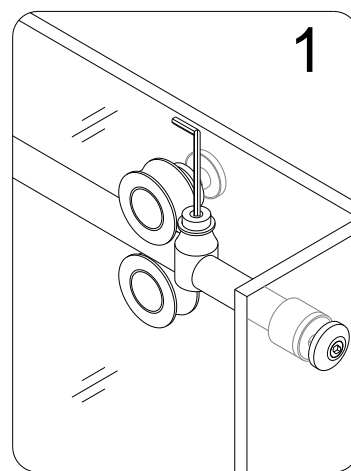


Fig. 20

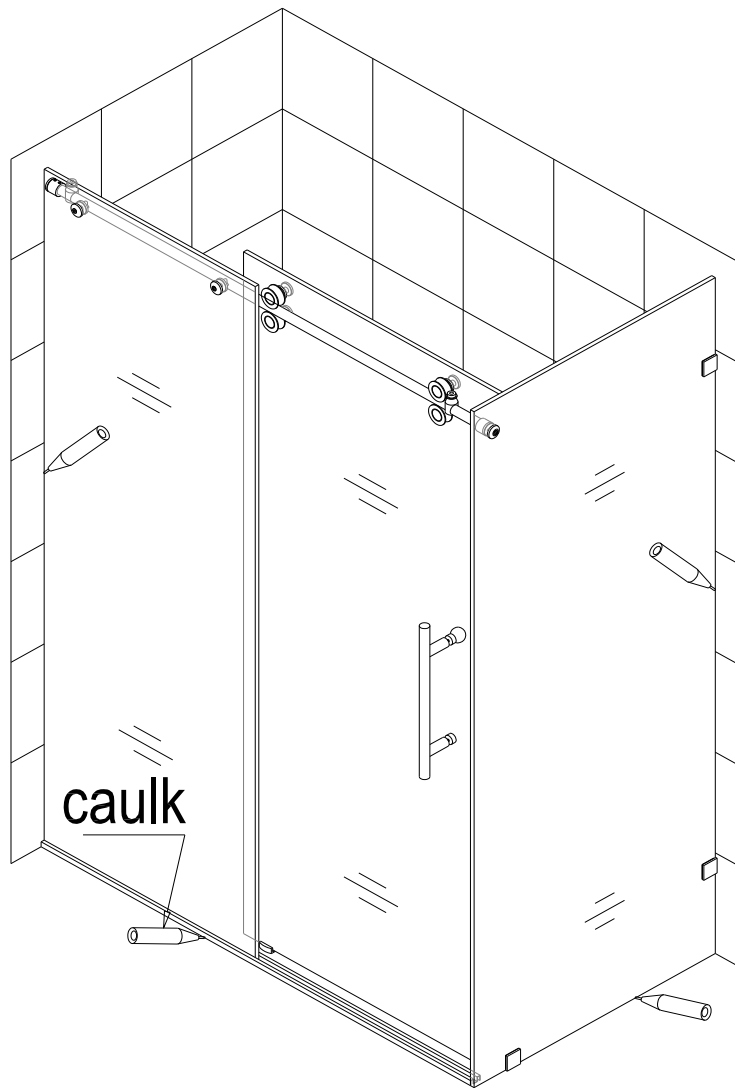


Fig. 21

Maintenance

1. Tempered glass can be cleaned with nonabrasive bathroom cleaner or any glass cleaner you use elsewhere in your home. Rinse off any glass cleaner. Avoid striking it with any sharp or hard objects. Such damage can cause either immediate or delayed breakage of tempered glass.
2. Maintenance of the wheel:
 - A: Use a small amount of the lubricating oil to keep roller movement smooth.
 - B: Adjust wheel screw periodically to guarantee moving door effective bearing and sliding.