



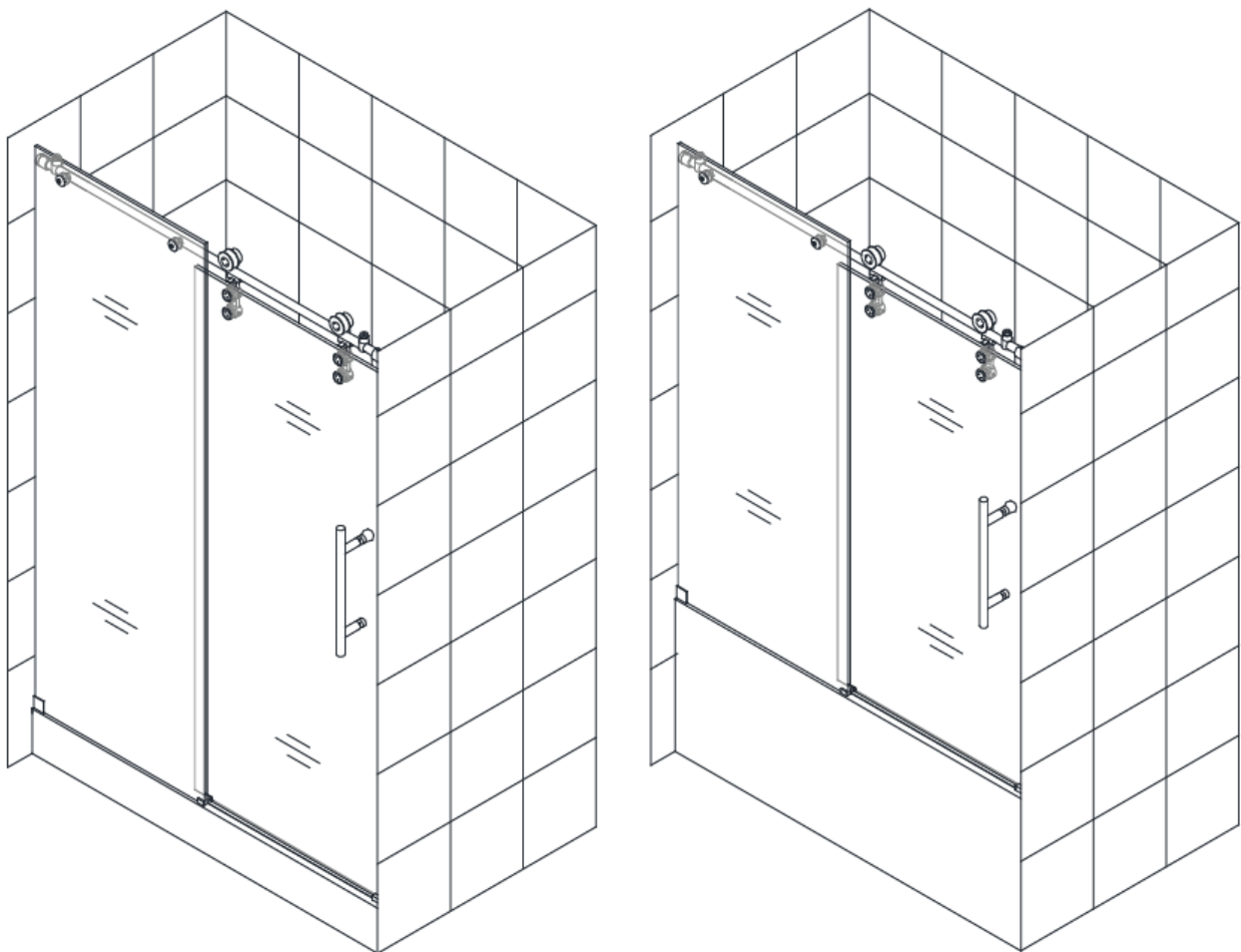
Model #s
SHDR-62606210-07, 08
SHDR-62487610-07, 08
SHDR-62607610-07, 08

model: ENIGMA Z

SHOWER DOOR & TUB DOOR INSTALLATION INSTRUCTIONS

IMPORTANT

DreamLine™ reserves the right to alter, modify or redesign products at any time without prior notice. For the latest up-to-date technical drawings, manuals or any other details please refer to your model's web page on BathAuthority.com



Right hand door installation shown

Please read these instructions carefully before installing. If you have any questions regarding installation, please contact our technical support specialists Monday through Friday 8:00 AM – 7:00 PM EST at Phone: 1-866-731-2244, Fax: 1-866-857-3638 or e-mail our technical support group at Support@BathAuthority.com

For more information about DreamLine™ Shower Doors & Tub Doors please visit www.BathAuthority.com

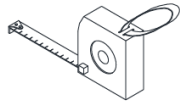
Preparation

1. Prior to installation, examine all boxes and packages for shipping damage and compare the piece count with your packing slip. After opening all boxes and packages read this introduction carefully. Check that all of the needed parts are included in the package by checking off the components on the "Detailed Diagram of Shower Door Components". If the unit has been damaged, has a finishing defect, or has missing parts, please contact our customer support department within **3 business days** of the delivery date. Please note that **DreamLine™ will not replace any damaged products or missing parts free of charge after 3 business days or if the product has been installed.** Feel free to contact DreamLine™ if you have any questions, and please provide an order number, job name or other proof of purchase to help us identify your original order.
2. **Please note that you should consult your local building codes with questions on installation compliance standards. Building and plumbing codes may vary by location, and DreamLine is not responsible for code compliance standards for your project and will not accept any returns.**
3. Prior to installation, ensure that the installation surface is leveled and solid and will be able to support the total weight of the unit. Also, make sure the walls are at right angles. Irregular installation surface level or improper angle of side walls will result in serious problems for your installation. Please, note that some adjustments and drilling might be necessary during the installation process.
4. Please protect all primary surfaces of the product during installation. Never set your glass down directly onto a tile floor. Leave corner protectors in place until necessary to remove them. Always use a piece of wood or cardboard to protect the bottom edge and corners of the glass prior to and during installation.
5. This unit must be installed upon a finished threshold and against finished walls.
6. This model requires that you drill into the threshold for proper installation
7. **Please, NOTE! This door does not have out-of-plumb adjustment. Make sure your walls are at right angles.**
8. **This door requires a minimum 2-3/8" wide threshold, base or installation space.**
9. **Please note that Step #6 calls for installation of the door to the wall using anchors. However, the manufacturer strongly recommends installing these heavy doors to the studs or to preinstalled 2x6 wood reinforcements behind the wall and attach the Wall brackets to it.**

Attention: This door is extremely heavy and requires professional installation.

NOTE: The Enigma Series doors and enclosures are reversible for left or right hand installation. This manual will show the right hand door installation. For a left hand installation, simply begin on the opposite wall and reverse the orientation of the parts as necessary.
Shower height model installation shown. Tub height installation will follow the same steps.

Tools Required



Tape Measure



Pencil



Phillips Screwdriver



Drill bit (D=3/8")



Drill bit (D=5/16")



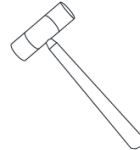
Drill bit (D=1/8")



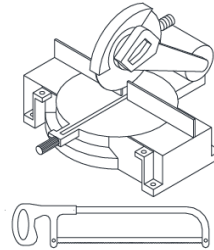
Level



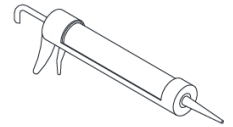
Power Drill



Soft Head Hammer



Miter saw or Hacksaw

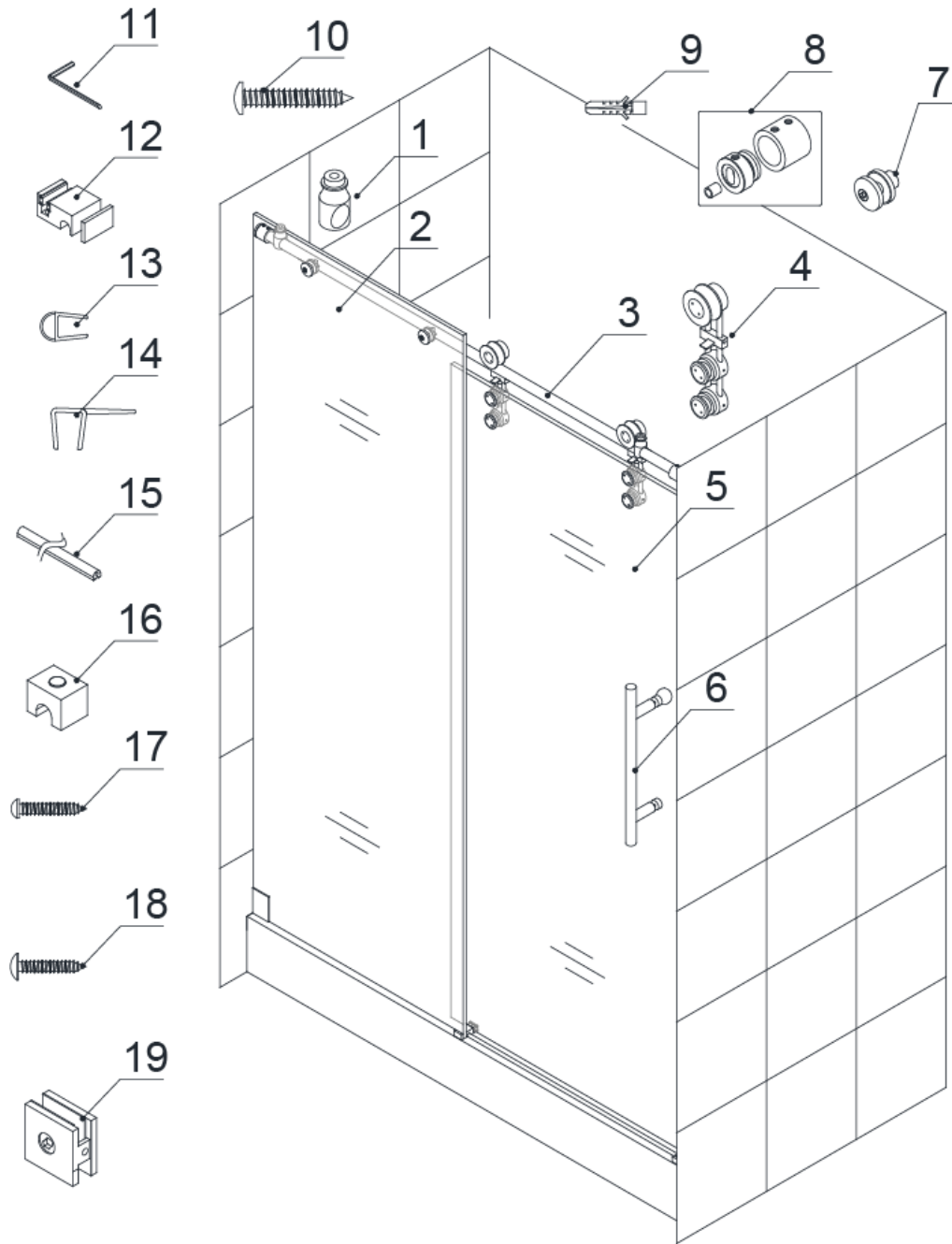


Caulk

NOTE: Unpack your unit carefully and inspect it. Lay it out and identify all parts using the detailed diagram and packing list in your manual as a reference. Before discarding the carton, check for small hardware bags that may have fallen to the bottom of the box. If any parts are damaged or missing, please contact DreamLine™ for replacement. The shipping boxes may contain extra parts not used in your model configuration.

NOTE: Retain these installation instructions for future reference.

Detailed Diagram of Shower Door Components



Packing List

PART#	DESCRIPTION	QTY	PART#	DESCRIPTION	QTY
01	Door stopper	2pcs	10	Large Truss head screw ST6×55	2pcs
02	Stationary glass	1pc	11	Hex wrench 3mm, 4mm, 5mm	1set
03	Upper guide rail	1pc	12	Guide block (with caps)	1pc
04	Roller assemblies	2pcs	13	Bumper strip	1pc
05	Glass door	1pc	14	Anti-water strip	2pcs
06	Handle	1pc	15	Anti-splash threshold	1pc
07	Glass bracket	2pcs	16	Threshold bracket (with caps)	1pcs
08	Guide rail bracket	2pcs	17	Pan head screw ST4.2×25	3pcs
09a	Wall anchor Ø 3/8"	2pcs	18	Truss head screw ST4.2×55	1pcs
09b	Wall anchor Ø5/16"	1pcs	19	Wall bracket	1pc

Shower Door Installation

1. Measure the distance between the two finished walls at the top, middle and bottom. This distance is marked as "**W**". Also check the threshold for level and the walls for plumb.

See Fig. 1 for details

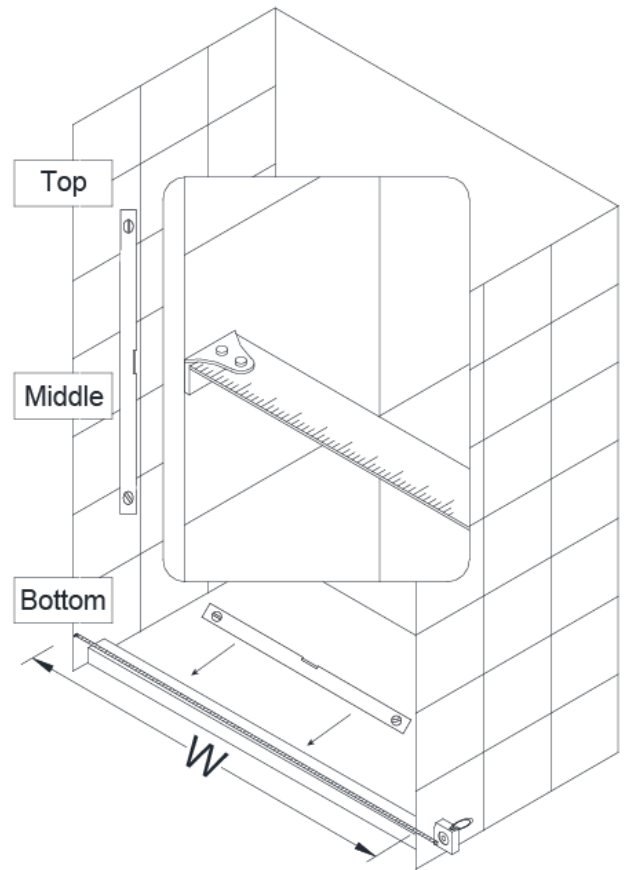


Fig. 1

2. Your **Upper Guide rail (#03)** has been precut for your model width of: 48" or 60" (the actual rail is shorter than the model width by design).

You will need to cut the **Upper Guide rail (#03)** from the door end which is farther from the **Glass bracket (#07)** holes.

The length to cut off will be **L**:

Model Width – opening **W** = cut off length **L**

See Fig. 2 for details

FOR EXAMPLE

If your model width is 48" and your finished opening is 46", then you will need to cut 2" off of the rail:

example: 48" – 46" = 2" cut off

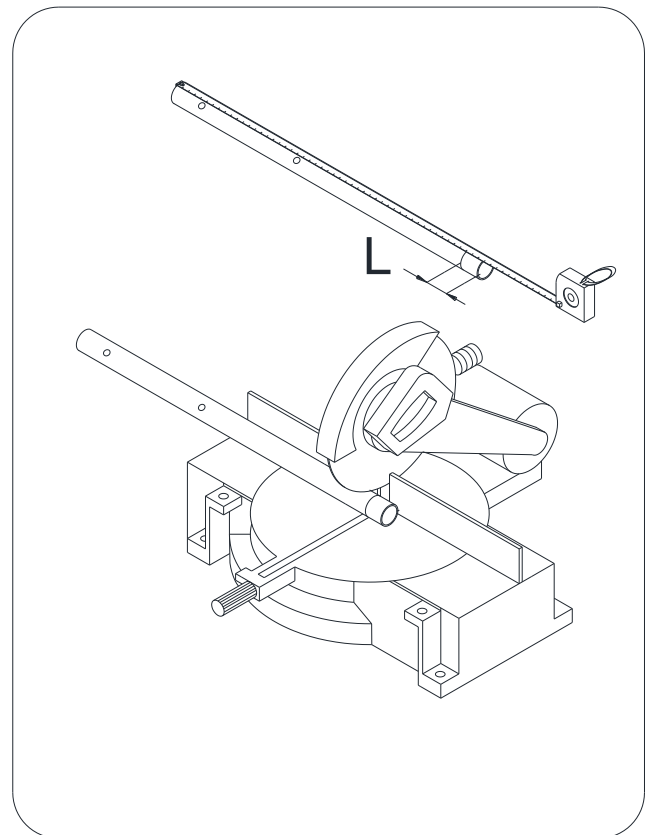


Fig. 2

3. Attach the **Upper guide rail (#03)** to the **Stationary glass (#02)** with the **Glass brackets (#07)** and tighten the screws into the predrilled holes in the **Upper guide rail (#03)**. Rotate the adjustment disks so that the **Upper Guide rail (#03)** is even with the glass. (Fig 3.2)

Slide the **Door stoppers (#01)** onto each end of the **Upper guide rail (#03)** and secure them temporarily using the **4mm hex wrench (#11)**. Slide the **Guide Rail brackets (#08)** onto each end of the **Upper guide rail (#03)** and temporarily secure them as well. Next, assemble the **Wall Bracket (#19)** onto the bottom corner of the **Stationary glass (#02)** as shown in FIG 3.5. Use the supplied gaskets to protect the glass.

See Fig. 3 and Fig. 4 for details

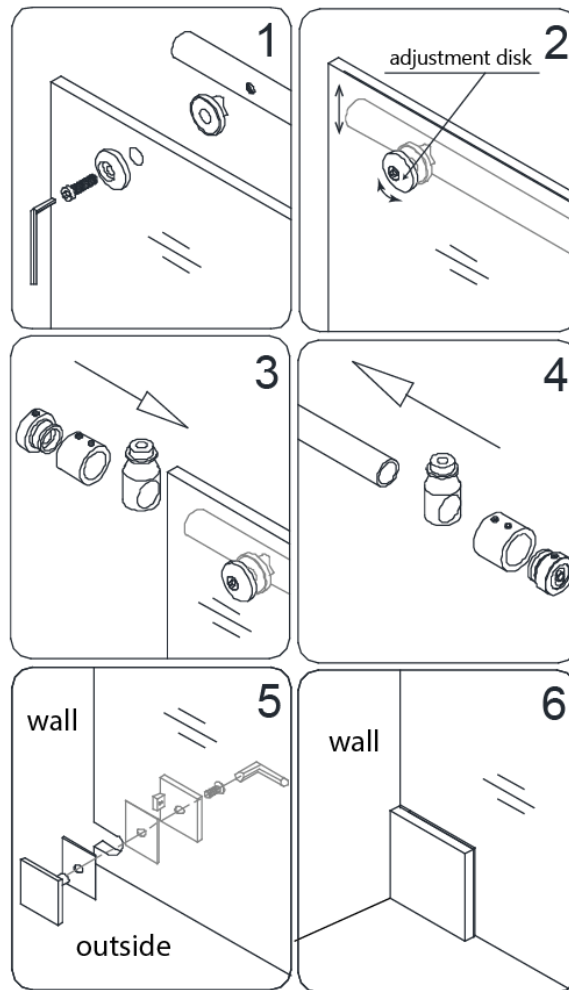


Fig. 3

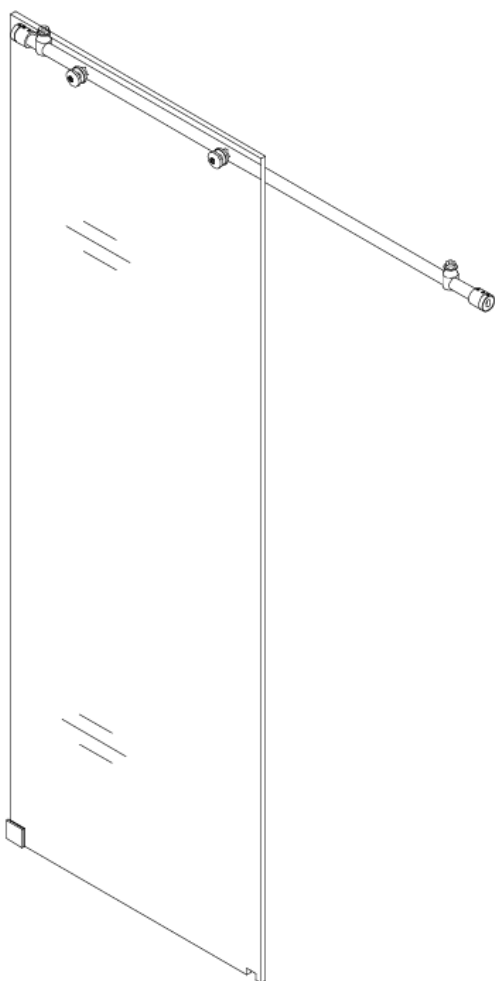


Fig. 4

4. Place the **Stationary glass (#02)** onto the pre-installed shower base, tub or threshold and butt it up against the wall.

(Please note that the Stationary Glass (#02) must be installed to the outside of the Upper Guide rail (#03). (Do not center the glass on the threshold, use the **Guide block (#12)** for reference.)

Make sure the **Stationary glass (#02)** and the **Guide rail (#03)** are leveled and aligned with the shower base or threshold. If a horizontal adjustment is required, use the **Glass brackets (#07)** by rotating the adjustment disks.

See Fig. 5 for details

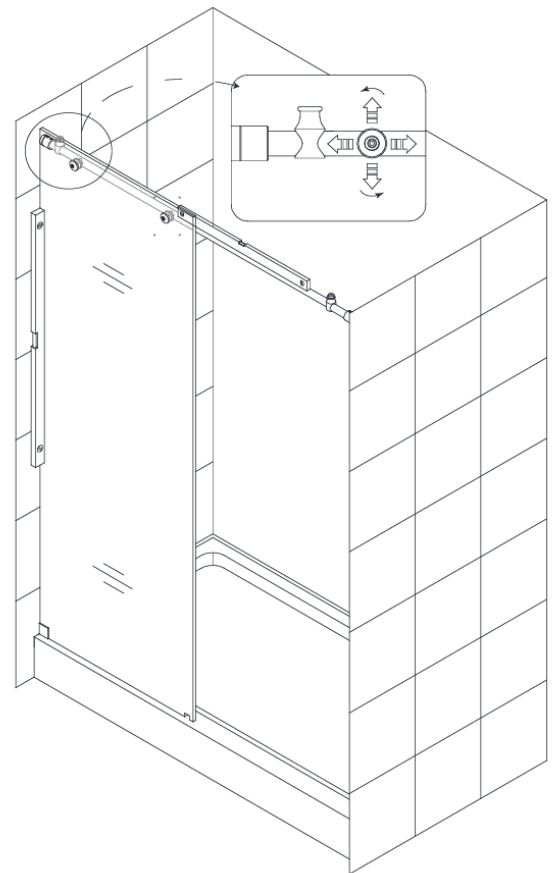
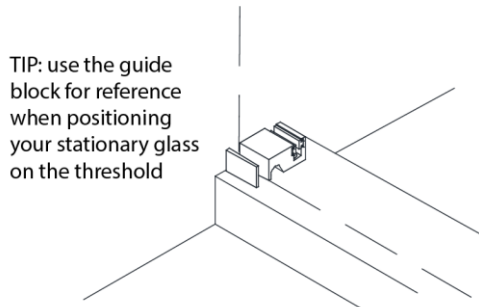


Fig. 5



5. Outline the position of the **Wall bracket (#19)** and **Guide Rail brackets (#08)** on the wall.

Set the **Stationary glass (#02)** and **Upper Guide Rail (#03)** aside. Remove the **Guide Rail Brackets (#08)** from the **Upper Guide Rail (#03)** and the **Wall bracket (#19)** from the **Stationary glass**. Place the **Wall bracket (#19)** and **Rail bracket (#08)** to the outlined positions and mark the holes for drilling.

See fig. 6 for details

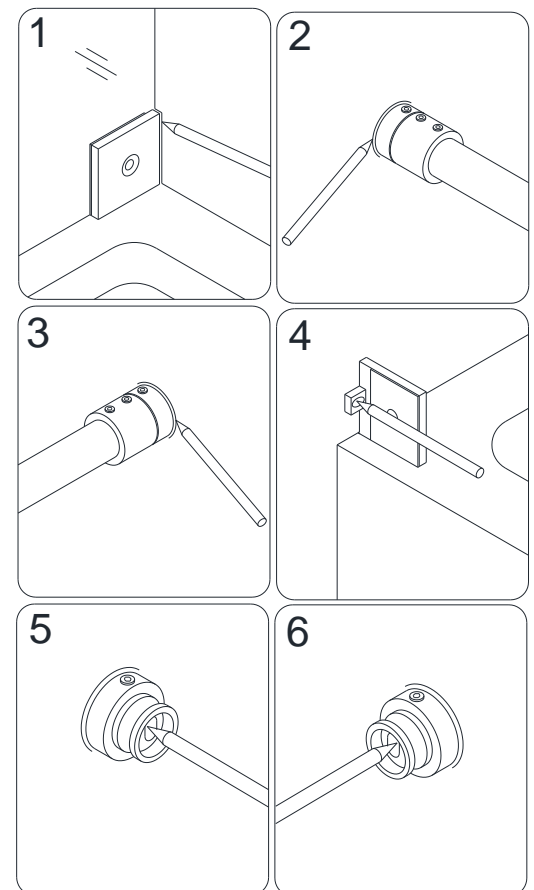


Fig. 6

NOTE: Before you start final installation of the **Stationary glass (#02)**, you need to take the **Glass door (#05)** into the shower and lean it against the wall (See Fig 13 on page 11) **Always use padding to protect the glass and shower surfaces.** After the **stationary glass (#02)** is installed, it may not be possible to get the door glass into the shower. **Do not** attach the handle to the door glass until instructed to so.

6. Drill the holes for the **Wall bracket (#19)** using a **Ø 5/16"** drill bit and insert the ****Wall anchors (#9b)**. Drill the holes for the **Rail brackets (#08)** using **Ø 3/8"** drill bit* and insert the **Wall anchors (9a)**.

See Fig. 7 for details

****NOTE:** The manufacturer strongly recommends installing these guide rail brackets into studs or preinstalled 2x6 wood reinforcements behind the wall. For installation into a stud, drill a 1/4" hole up to the stud and let the screw bore into the wood.

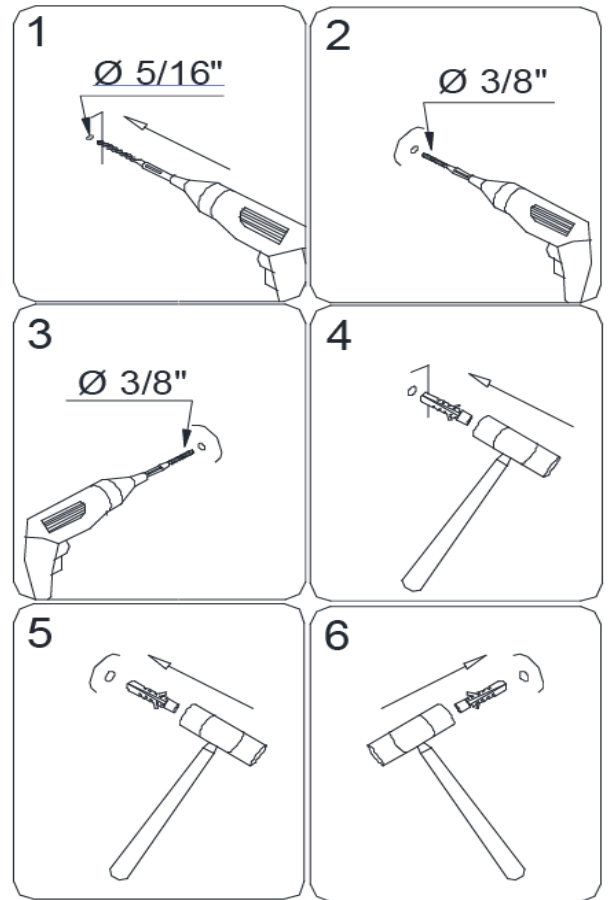


Fig. 7

7. Fasten the **Wall bracket (#19)** to the wall using the **Truss head screw ST4.2×55 (#18)**.

Mount the male parts of the **Guide Rail brackets (#08)** onto both walls using the **Large Truss Head screw ST6×55 (#10)**.

See Fig. 8 for details

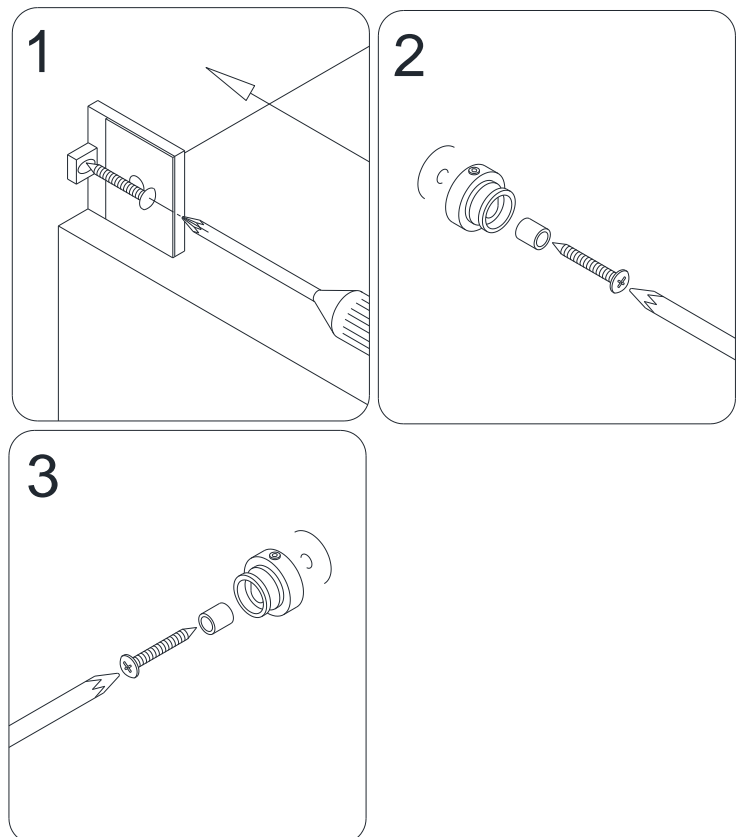


Fig. 8

8. Place the **Guide Block (#12)** on the shower base or the threshold and place the **Stationary glass (#02)** back in to the designated position so it sits in the groove of the **Guide block (#12)**.

See Fig. 9 for details

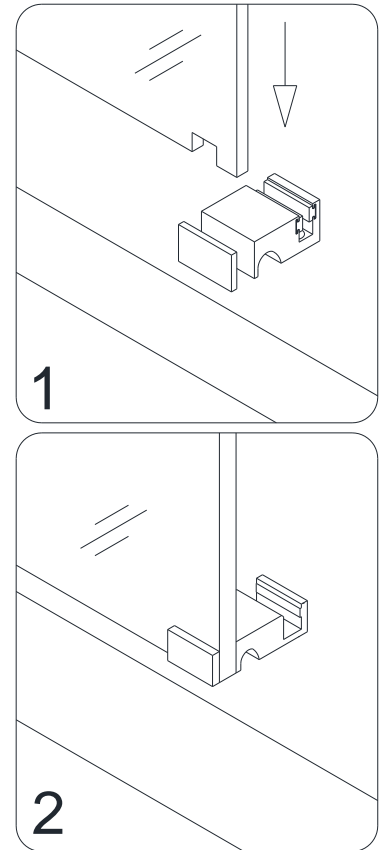


Fig. 9

9. Fasten both female parts of the **Guide rail brackets (#08)** to their male parts on the walls.
Tighten the set screws on the **Guide rail brackets (#08)** to secure the **Upper guide rail (#03)** between the two walls.
Assemble the **Wall bracket (#19)** at the bottom corner of the **Stationary glass (#02)** and tighten the bolt.

See Fig. 10 for details

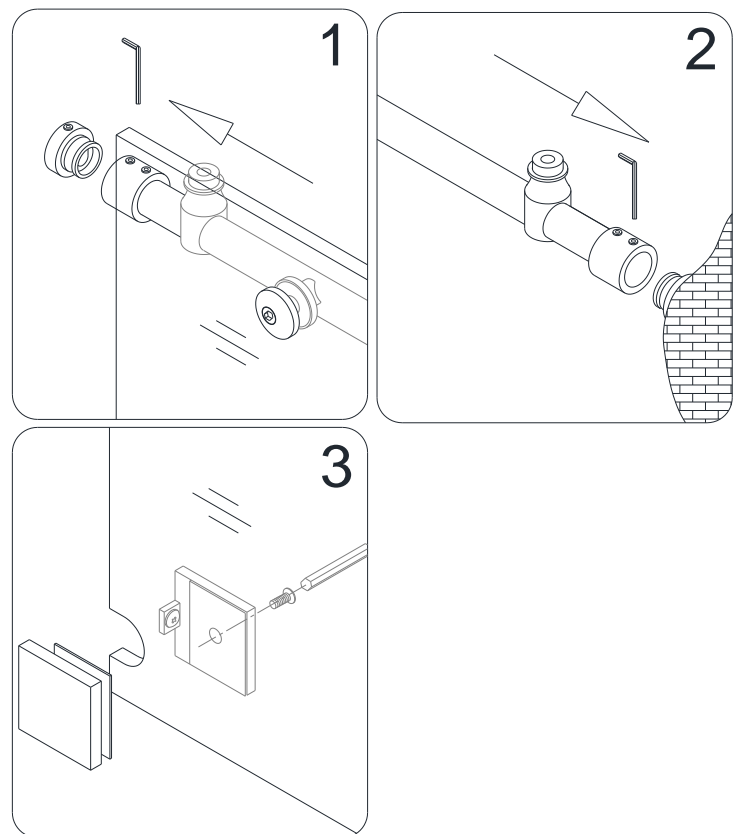


Fig. 10

10. The **Upper guide rail (#03)** must be leveled horizontally. Starting from the door end, adjust the **Guide rail brackets (#08)** using a hex key if it is necessary to level the **Upper guide rail (#03)**. Re-check for level and tighten the top and bottom screws of the **Guide rail bracket (#08)** on both ends.

See Fig. 11 and Fig. 12 for details

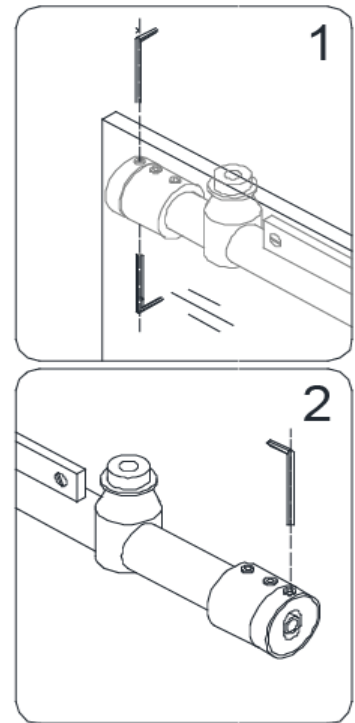


Fig. 11

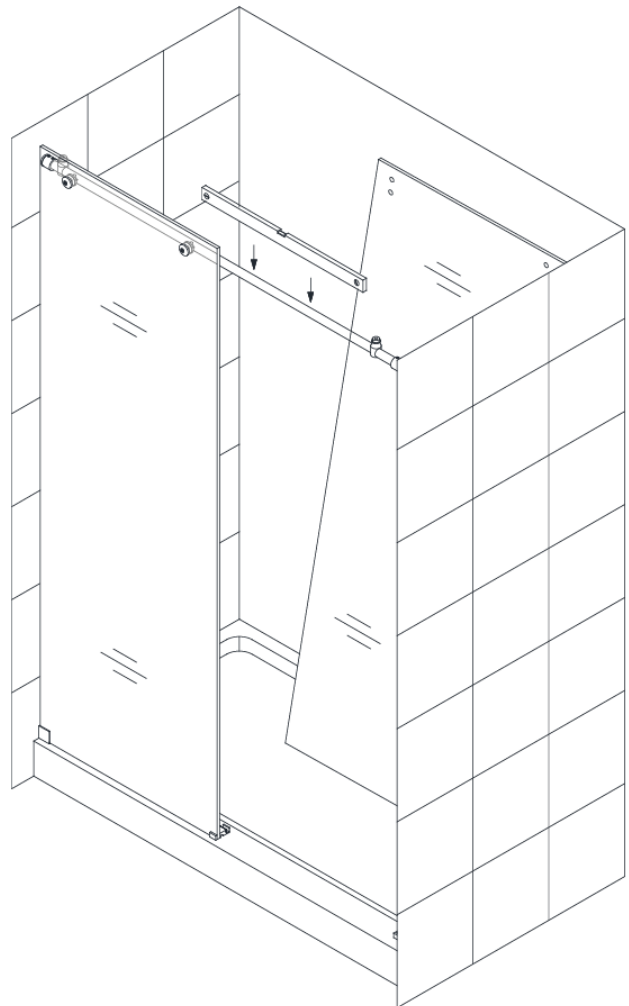


Fig. 12

11. Parallel the **Stationary glass (#02)** to the shower base or threshold. Measure the distance from the side wall to the far edge of the **Guide block (#12)**.

This distance will be "**X**". Cut the **Anti-splash threshold (#15)** to the size of: **X-1/2"**.

Insert one side of the **Anti-splash threshold (#15)** fully into the **Guide block (#12)** and cover the other side with the **Threshold bracket (#16)**.

Parallel the **Anti-splash threshold (#15)** to the front edge of the shower base or threshold and mark the drilling hole through the **Threshold bracket (#16)**.

See Fig. 13 for details

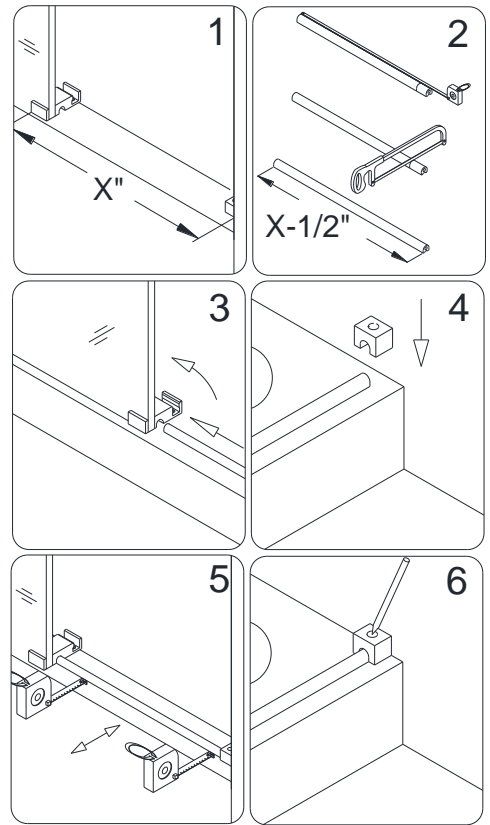


Fig. 13

12. Drill the holes for the **Guide block (#12)** and the **Threshold bracket (#16)** using **Ø 1/8"** drill bit.

Apply silicone to the bottom of the **Anti-splash threshold (#15)** and place it back into the designated position. Fasten the **Guide block (#12)** and the **Threshold bracket (#16)** to the shower base or threshold with the **Pan head screw ST4.2×25 (#17)**.

Cover the hole with the provided decorative plug.

See Fig. 14 for details

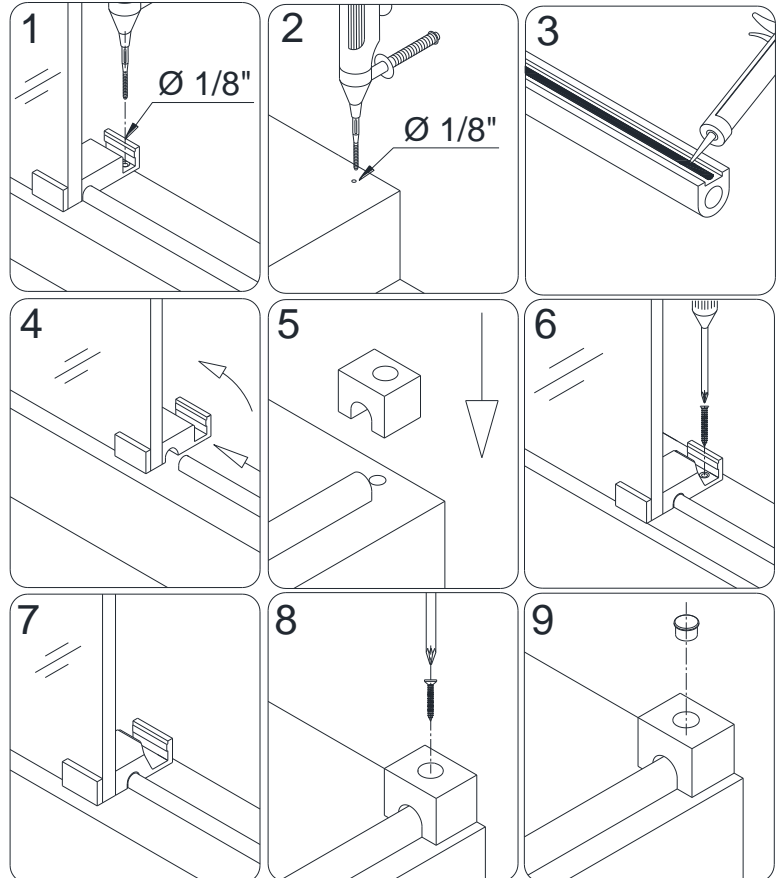


Fig. 14

13. Attach two **Roller assemblies (#04)** to the **Glass door (#05)**.

Suspend the door by hanging the **Roller assemblies (#04)** onto the **Upper guide rail (#03)** and sliding the bottom edge of the **Glass door (#05)** into the groove of the **Guide block (#12)**. Be careful not to damage the bottom edge of the door glass. Adjust the door glass if necessary using the set screws on the roller as shown in Fig 15.6 and detail below.

See Fig. 15 for details

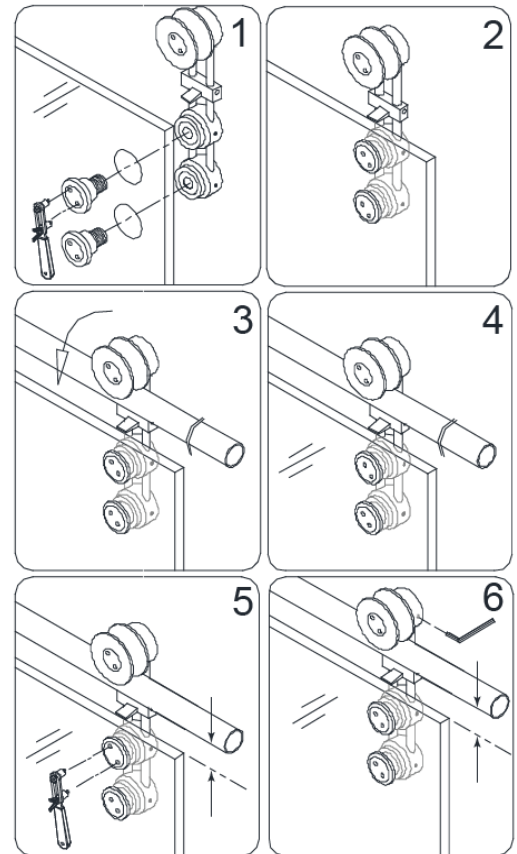
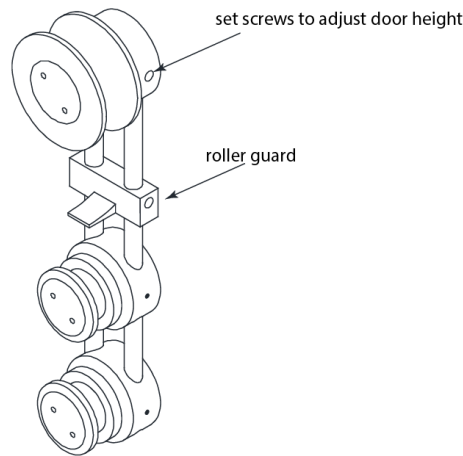


Fig. 15



TIP: Use a 1/4" shim beneath the door glass when you adjust the level of the door so that the bottom of the glass does not make contact with the guide block.

14. Press the **Anti-water strip (#14)** on the vertical edges of the **Stationary glass (#02)** and the **Glass door (#05)**. Also press the **Bumper strip (#13)** on the vertical edge of the **Glass door (#05)**.

Mount the **Handle (#06)** to the **Glass door (#05)**.

Adjust both **Door stoppers (#01)** to ensure that they are positioned upright and the **Glass door (#05)** is in its maximum opening and closing range. Tighten the set screws to fasten them in place.

Adjust the **Roller guards** (Fig 16.6) on both **Roller assemblies (#04)** to ensure that the **Glass door (#05)** is secure to the **Upper guide rail (#03)**.

See Fig. 16 for details

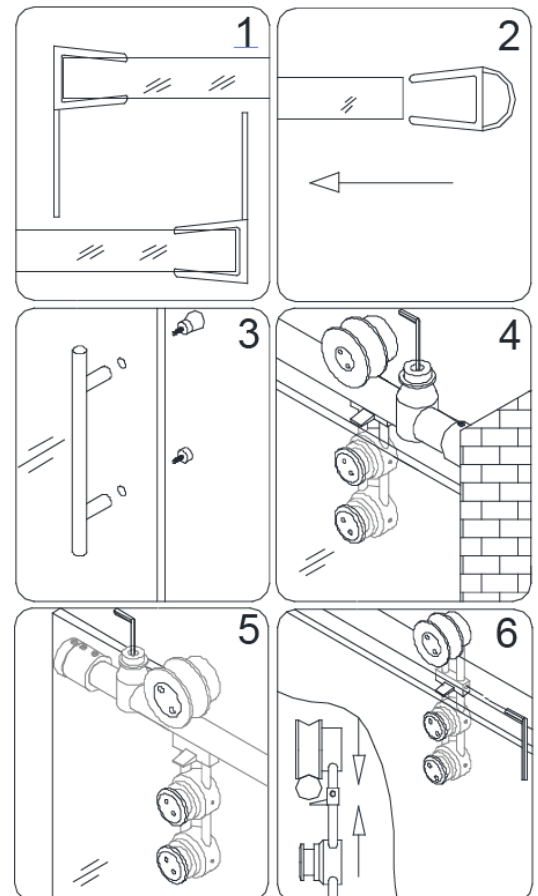


Fig. 16

NOTE: The **Door stoppers (#01)** must be positioned correctly to prevent the handle from contacting the **Stationary glass (#02)** and to stop the **Glass door (#05)** in a position that allows the bumper strip to create a seal with the wall, but does not allow the door glass to bang into the wall. Observe the position of these stoppers and re-adjust if necessary.

15. Apply Waterproof silicone at both ends of the **Anti-splash threshold (#15)**, around the **Guide block (#12)** and around the **Threshold bracket (#16)**.

See Fig. 17 for details

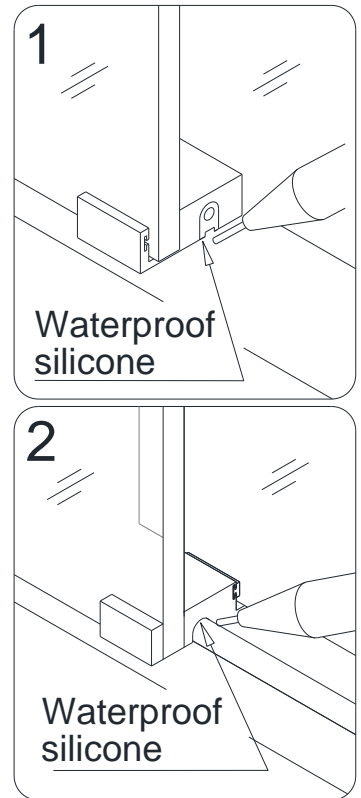
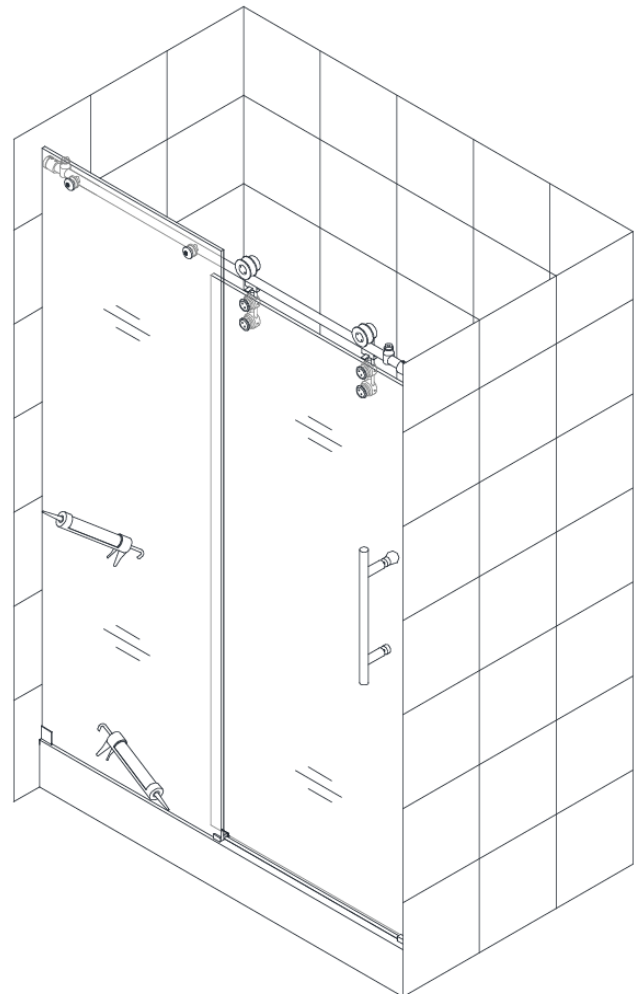


Fig. 17

16. Apply a good quality water-proof silicone sealant along the connection of the Stationary glass with the wall and the shower base or the threshold.

See Fig. 18 for details



Product Maintenance

BASES and BACKWALLS: To ensure a long life for your acrylic back walls: wipe them off after each use with a soft cloth. To clean the acrylic back walls use non-abrasive sprays or cream based cleaners. Never use abrasive cleansers, metal brushes or scrapers that could scratch or dull the surface.

GLASS: To ensure long lasting life for your glass shower products: wipe them off after each use with a soft cloth. Rinse and wipe off the glass using either a soft cloth or a squeegee to prevent soap buildup and water spots. To prevent scratching the surface, never use abrasive cleaners and cleaning products that contain scouring agents. Never use bristle brushes or abrasive sponges.

HARDWARE: To ensure a long lasting finish: wipe off the metal parts after each use with a soft cloth. Do not use abrasive cleaners or cleaning products containing ammonia, bleach or acid. If accidentally used, rinse the surface as soon as possible to prevent finish peeling or corrosion. After cleaning the shiny finishes, rinse thoroughly and wipe dry with soft cloth. Clean stainless steel surfaces at least once a week. When applying stainless steel cleaner or polish, work with (not across) the grain. Never use abrasive sponge or cloth, steel wool or wired brushes.



TEL: [866-731-2244](tel:866-731-2244)

FAX: [866-857-3638](tel:866-857-3638)

[WWW.BATHAUTHORITY.COM](http://www.BATHAUTHORITY.COM)

For more information on [DreamLine™ Shower Doors](http://www.BathAuthority.com) & [Tub Doors](http://www.BathAuthority.com) please visit www.BathAuthority.com