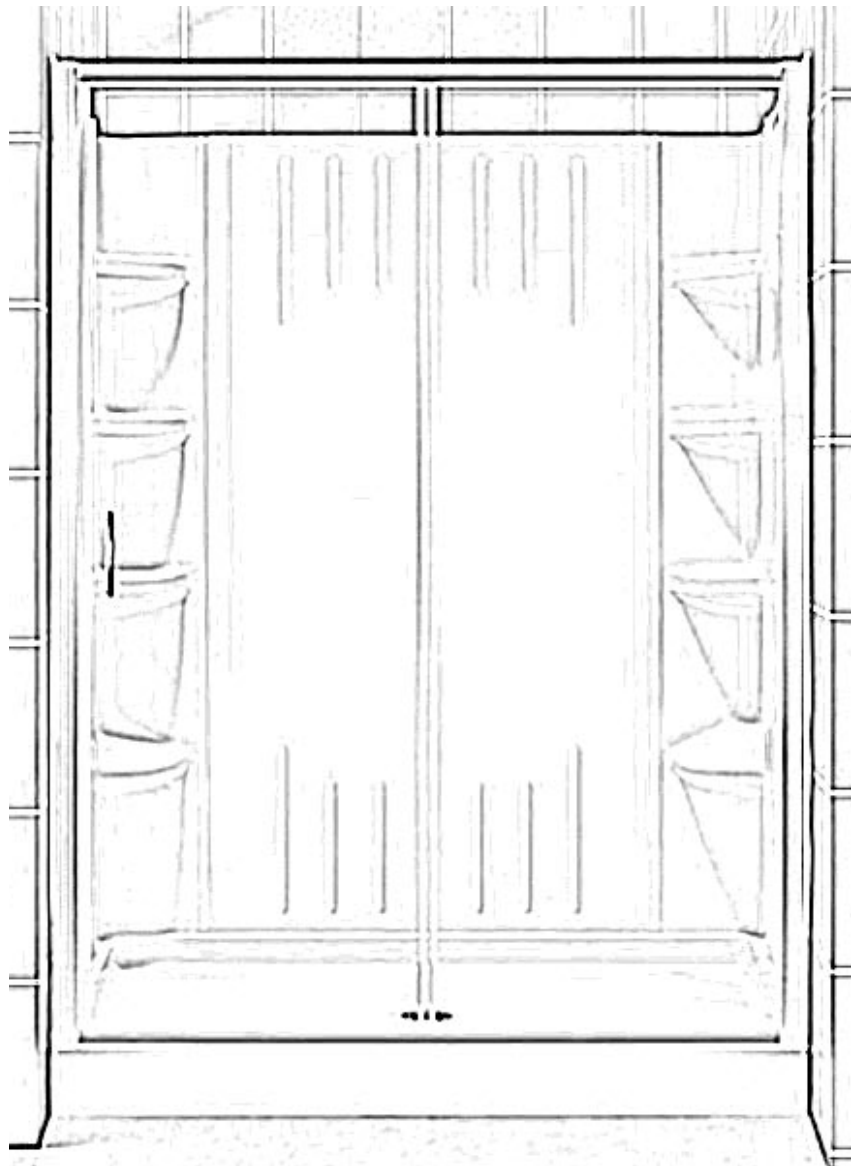




Shower Wall, Tray & Infinity Door Kit Installation Manual

Important

Please read carefully the following instructions before installing your product. If you have any questions on this shower door installation, please call our technical support specialists Monday to Friday 9:00AM – 5:00PM EST at 1-866-731-8378 Option 3 or e-mail our technical support group at support@BathAuthority.com



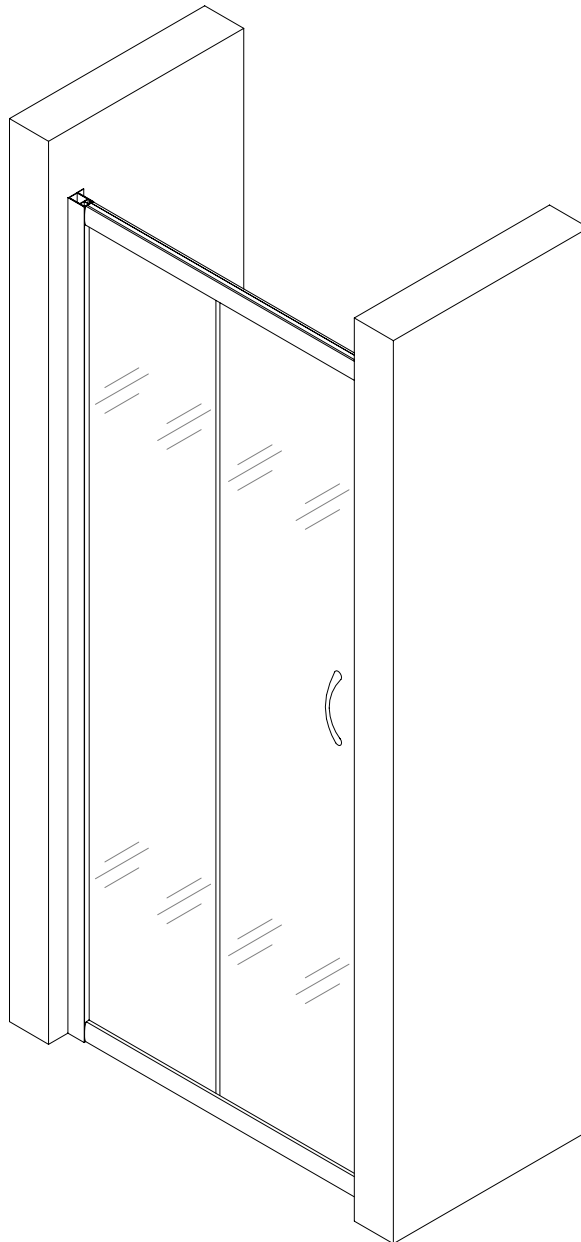
Our product may have changes without prior notice



Infinity Shower/Tub Door Installation Instructions

IMPORTANT

Please read carefully the following instructions before installing your shower door. If you have any questions on this shower door installation - please call our technical support specialists Monday to Friday 9:00AM – 5:00PM EST at 1-866-731-8378 Option 3 or e-mail our technical support group at support@BathAuthority.com

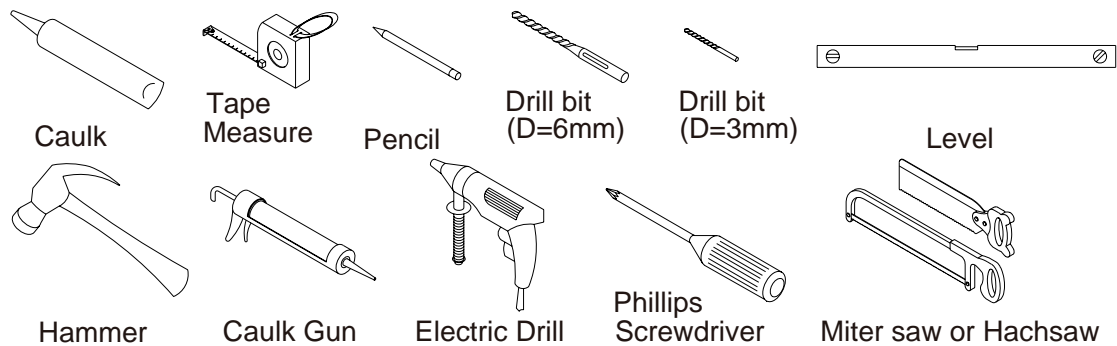


Our product may have changes without prior notice

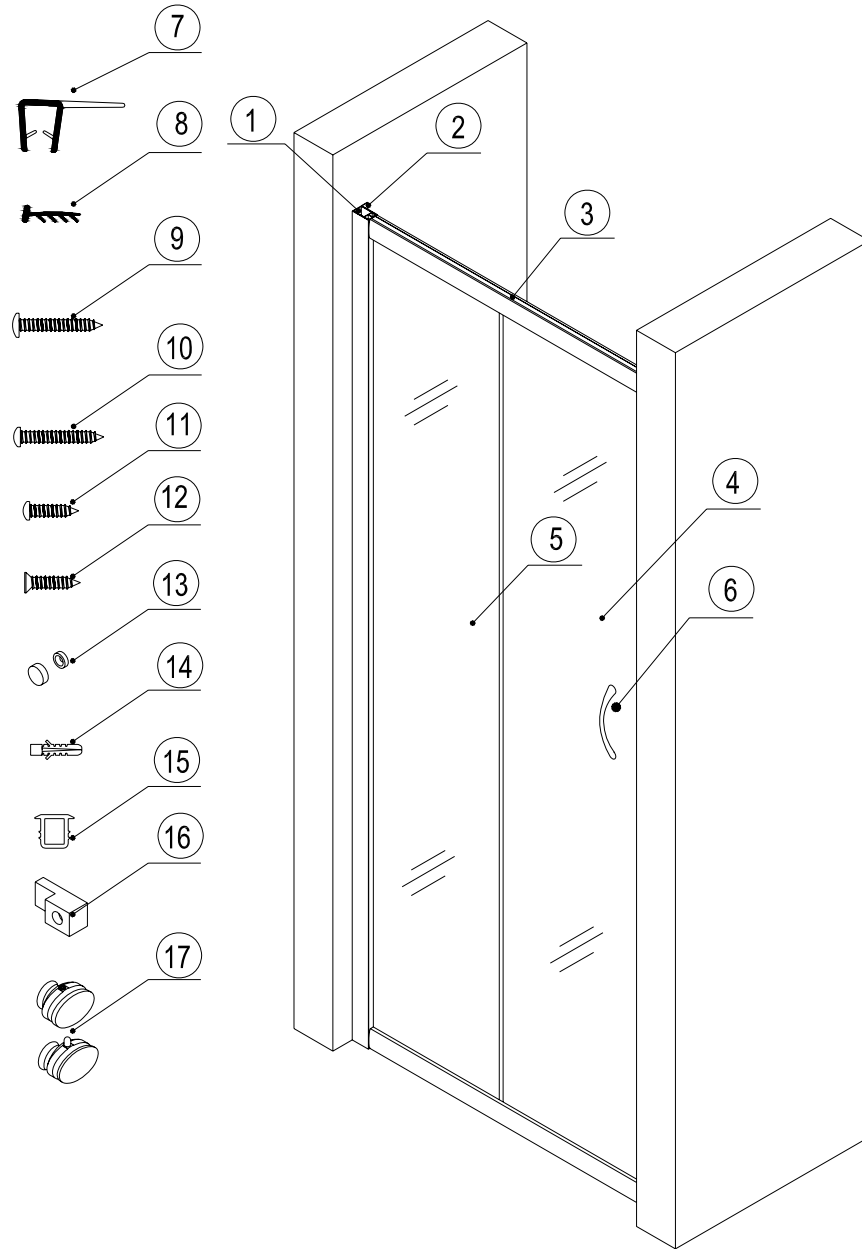
Preparation

1. After opening the boxes, read this introduction carefully, check all the packed parts are complete by cross checking all the components against the “Detailed Diagram of Shower Door Components”. Examine for shipping damage. If the unit has been damaged, has a finishing defect or has missing parts please contact your local distributor within 3 business days. Please note that **Bath Authority™ / DreamLine™ will not replace any damaged product or missing parts free of charge after 3 business days or if the product has been installed.** Contact your distributor or DreamLine if you have any questions.
2. **Please note that you should consult your local building codes on questions on installation compliance standards. Building and plumbing codes vary by location, and DreamLine is not responsible for code compliance standards for your project.**
3. Please insure that prior to the installation the floor is leveled and solid. Also make sure the walls are at right angles. While some adjustment in leveling of the door is possible, irregular floor level or improper angle of side walls will result in serious problems for your installation. Please, note that there are some adjustments, cutting and drilling might be necessary during the installation process.

Tools Required



Detailed Diagram of Shower Door Components



Packing List

01	Wall profile	2pcs	10	Round head screw ST4.2x25	8pcs
02	Glass profile	2pcs	11	Round head screw ST4.2x10	4pcs
03	Guide rail	2pcs	12	Flat head screw ST4.2x15	2pcs
04	Glass door	1pc	13	Decorative cover	4pcs
05	Stationary glass	1pc	14	Wall anchor	8pcs
06	Handle	1pair	15	Seal gasket	1pc
07	Anti-water strip	3pcs	16	Glass holder	2pcs
08	Single side strip	1pc	17	Wheel assembly	2pais
09	Round head screw ST4.2x30	8pcs			

After you have checked that all components are there, you will be ready to start the installation of your DreamLine shower door.

Assemble Steps

1. Measure the distance of two walls, distance as W . See Fig 1 for details.
2. Measure the length of the guide rail which is L , if $(L + 3\ 1/2") \leq W \leq (L + 5")$, there is no need to cut the guide rail, you can go to Step 4. If $W < (L + 3\ 1/2")$, then you need to cut one side of guide rail which is farther from the glass holder hole. The cutting length will be $L1$; $L1 = (L + 3\ 1/2" - W)$. See Fig 2 and Fig 3 for details.
3. If the guide rails had been cut you will need to move one plastic roller stopper on each guide rail on the **side where you cut it**.
Remove existing stopper. Mark the new hole on $L1$ distance from old one toward to center of the guide rail. Drill the new hole using 3mm drill bit; then secure the stopper with screw. **Attention: do not drill guide rail throughout, only the first wall.** See Fig 4 for details.
4. Secure bottom **Guide rail (03)** and glass profile with **Round head screws ST4.2x25 (10)**. See Fig 5 for details. Repeat the same for upper **Guide rail (3)**.
5. Push the **Stationary glass (05)** into glass profile groove, and then fasten it by glass holders to the guide rails. See Fig 6 for details.
6. Push **Single side plastic strip (8)** between glass and side wall of the profile using wooden shims or other piece of wood. **Do not use the screwdriver or other metal objects; you can scratch or damage the glass and aluminum.** See Fig 7 for details.
7. Push the **Wall profile (01)** all the way over the **Glass profile (2)**. Be sure to keep a tong with predrilled holes inside of shower (fig 8).
8. Carry the assembled unit on the top of tray, bath tub or stone base (depending on your installation); push it against wall. You can adjust position of the shower by pulling it partially out of the wall profile. Now adjust one of wall profiles vertically using level and mark holes on the wall. Using help to hold this profile in the right position, level another profile and mark holes. Gently move the assembled unit on the side, drill holes into the wall, insert anchors. See Fig 9 and Fig 10 for details.
9. Apply the silicone caulk along the holes on the wall. Place the whole shower assembly on the tray and attach it to the wall using **Round head screws ST4.2x30 (9)**. See Fig 10/4 and 10/5 for details.
10. Your unit can be shipped to you with the **Wheel assemblies (17)** installed on the doors. If not, please refer to diagram (fig 11) how to install it. Attach the top and bottom wheels to the glass doors. The wheel that goes on the top has an adjustable screw and nut to adjust the door level. Note that the lock nut of upper wheel should face up. The bottom wheel has a press button to fix the wheel on the bottom guide rail; that button should face up. See Fig 11 for details.
11. Place the **Glass door (4)** on the guide rails. Install the **Handle (06)** on the glass door. Place the **Anti-water strip (07)** on the long (vertical) side of the glass door and the stationary glass. See Fig 12 for details.
12. Secure the wall profile and glass profile with **Round head screws ST4.2x10 (11)**. **Attention: do not drill profile throughout, only the first wall.** See Fig 13 for

details.

13. Apply caulk along the bottom of the stationary panels and wall profiles as well as along the wall gap. See Fig14 for details.

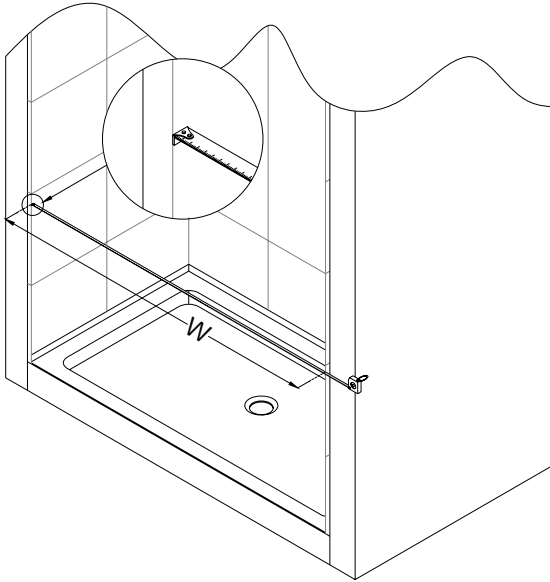


Fig 1

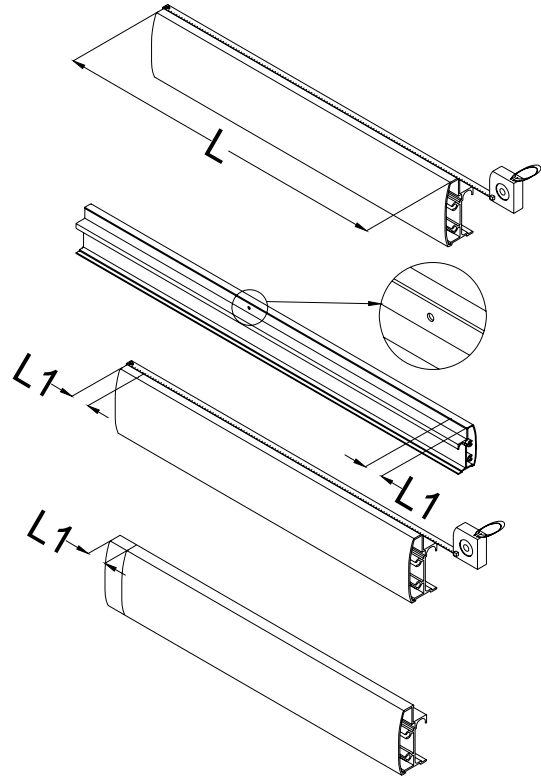


Fig 2

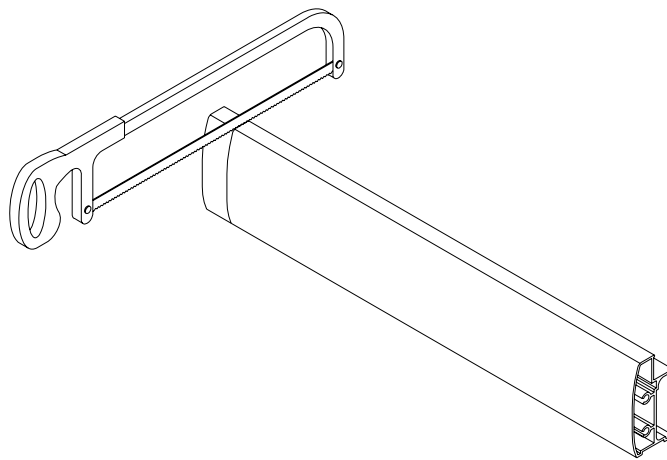


Fig 3

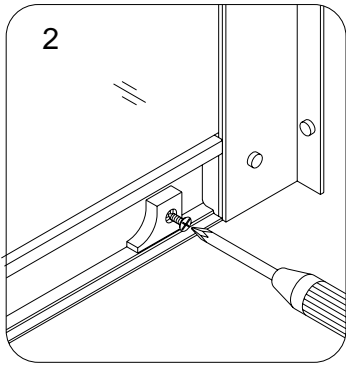
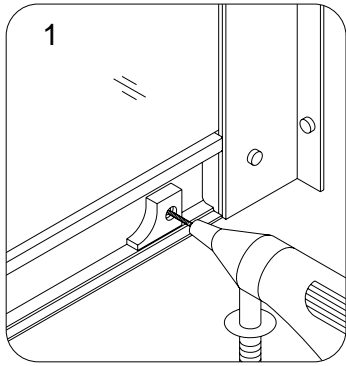


Fig 4

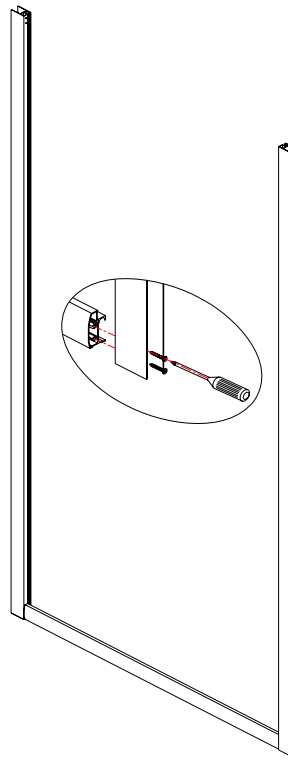


Fig 5

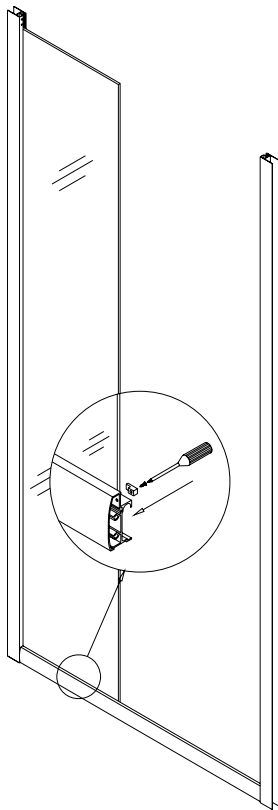


Fig 6

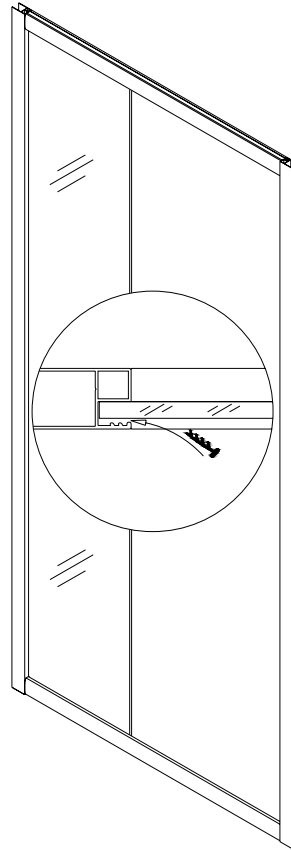


Fig 7

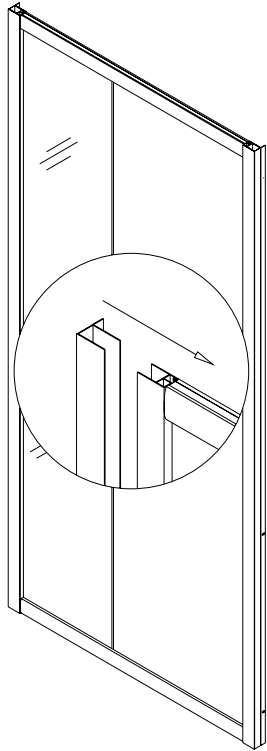


Fig 8

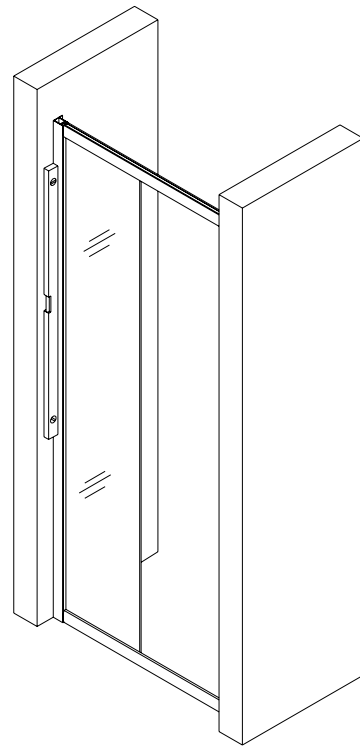


Fig 9

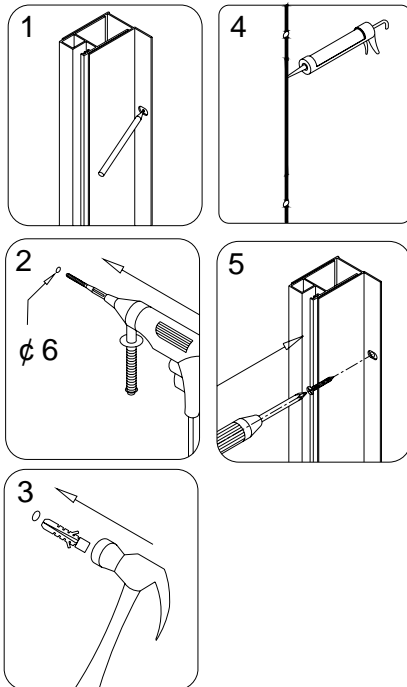


Fig 10

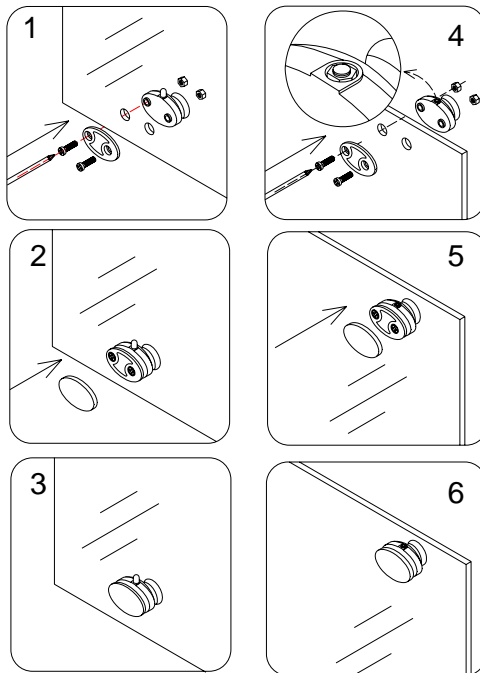


Fig 11

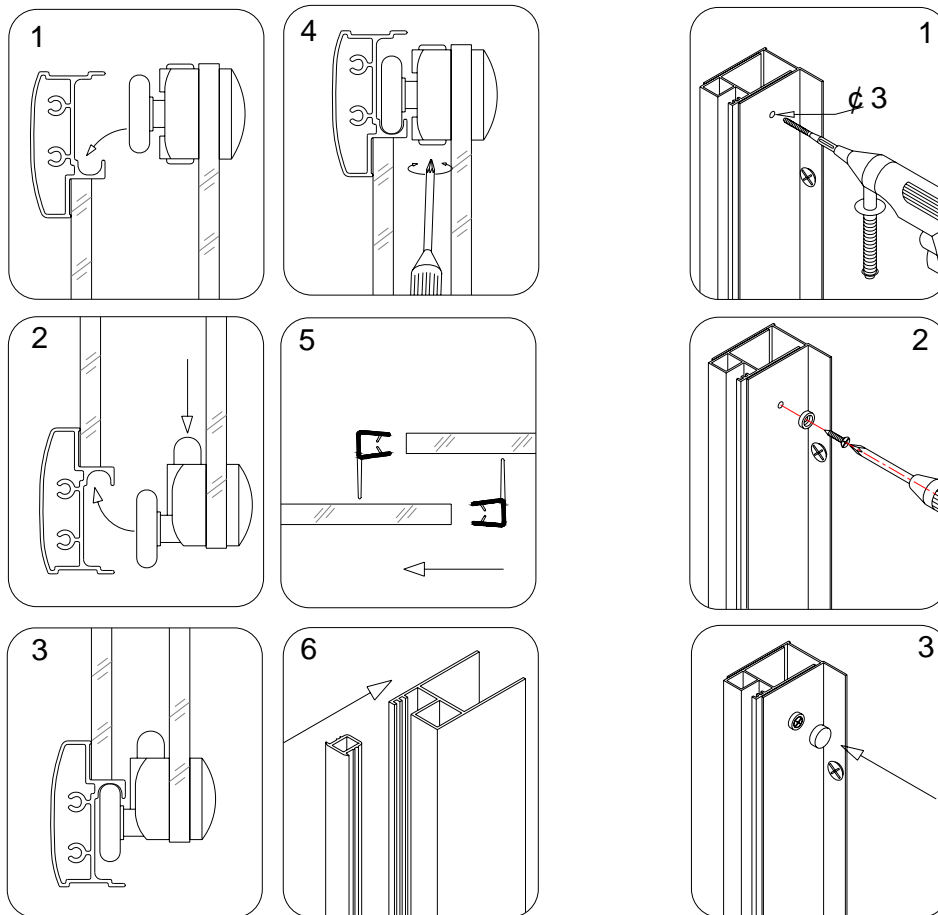


Fig 12

Fig 13

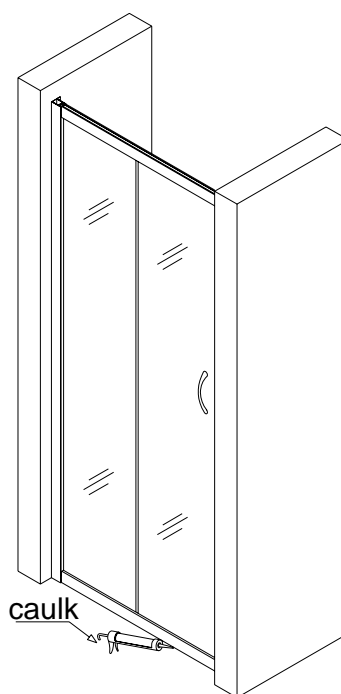


Fig 14

Product Maintenance

1. Tempered glass can be clean with nonabrasive bathroom cleaner or any glass cleaner you use elsewhere in your home. Rinse off any glass cleaner that gets on the aluminum as soon as possible to avoid damage to the anodized surface. Avoid striking it with any sharp or hard objects. Such damage can cause either immediate or delayed breakage of tempered glass.

2. The aluminum in your shower door is durable and resistant to water damage. It is advisable, but not necessary to wipe it with your towel after your shower. Clean it as often as needed to keep the buildup off. Never use any type of abrasive cleaner. Use only a soft damp cloth and nonabrasive bathroom cleaners.

3. Maintenance of wheel:

A: for plastic wheel, use a little lubricating oil to keep it smooth and long last.

B: for metal wheel, except adding of oil, if shower has not been used for a long time, you can dry the wheel and put a little grease to keep it well working conditions.

C: Adjust wheel screw periodically to guarantee moving door effective bearing and sliding.



Shower Tray Installation Instructions

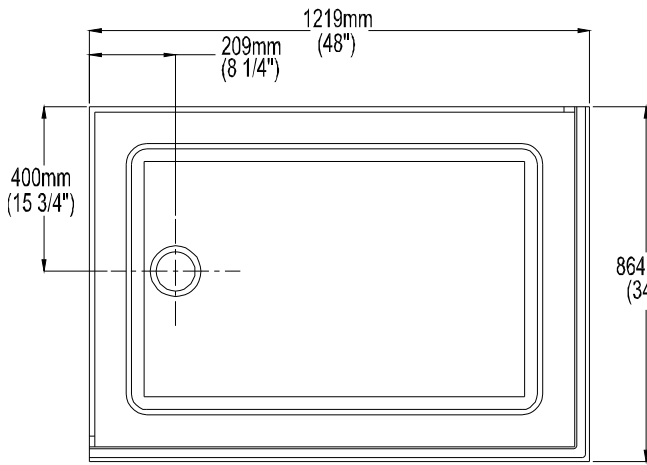
IMPORTANT

Please read carefully the following instructions before installing your shower cabin. If you have any questions on this shower cabin installation - please call our technical support specialists Monday to Friday 9:00AM – 5:00PM EST at 1-866-731-8378 Option 3 or e-mail our technical support group at support@BathAuthority.com

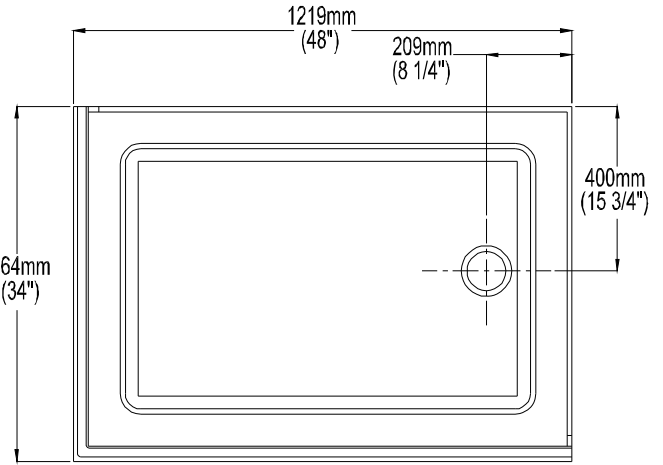
Preparation

1. After opening all the boxes, read this introduction carefully, check all the packed parts are complete by cross checking all the components against the “Detailed Diagram of Shower Cabin Components”. Examine for shipping damage. If the unit has been damaged or has a finishing defect, please contact your local distributor within 3 business days. Please note that **Bath Authority™ / DreamLine™ will not replace any damaged product or parts free of charge after 3 business days or if the product has been installed.** Contact your distributor or distributor if you have any questions.
2. **Please note that you should consult your local building codes on questions on installation compliance standards. Building and plumbing codes vary by location, and DreamLine is not responsible for code compliance standards for your project.**
3. Install all of the required plumbing and drainage before securing the shower. **Use a competent and licensed (if required by local code) plumber for all plumbing installation.**
4. Please insure that prior to the installation the floor is leveled and solid and will be able to support the total weight of the unit and its occupant. Also make sure the walls are at right angles. While some adjustment in leveling of the tray is possible, irregular floor level or improper angle of side walls will result in serious problems for your installation. Please, note that there are some adjustments and drilling might be necessary during the installation process.

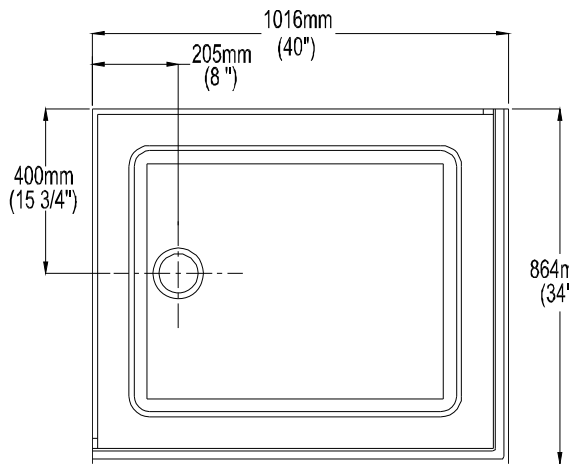
IMPORTANT NOTE: *Dimensions provided for reference only. You must measure the actual shower tray sizes before installation. Allowed tolerance for center of the drain is $\pm\frac{1}{2}$ ”.*



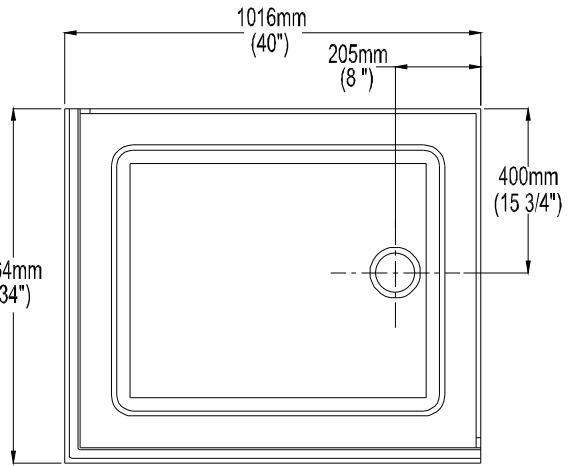
SHTR-1034481



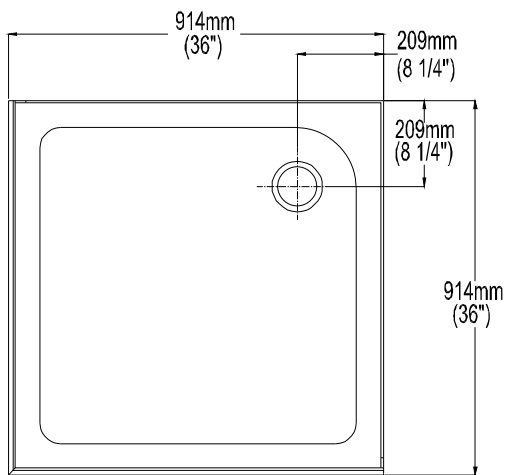
SHTR-1034482



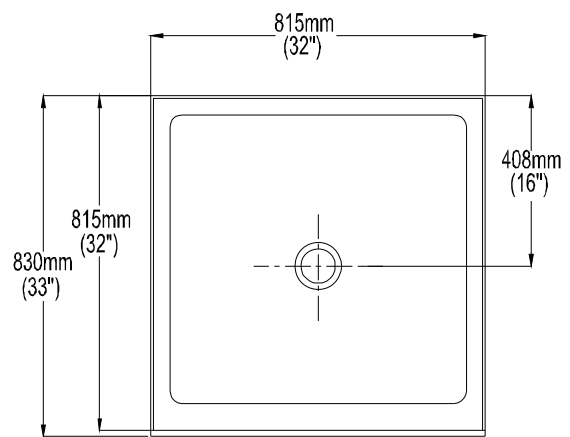
SHTR-1034401



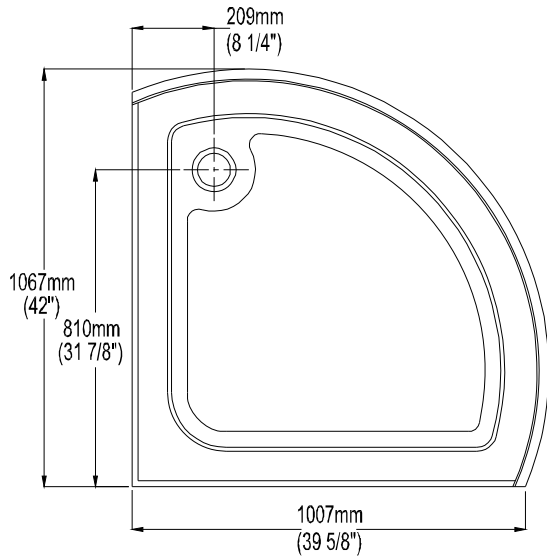
SHTR-1034402



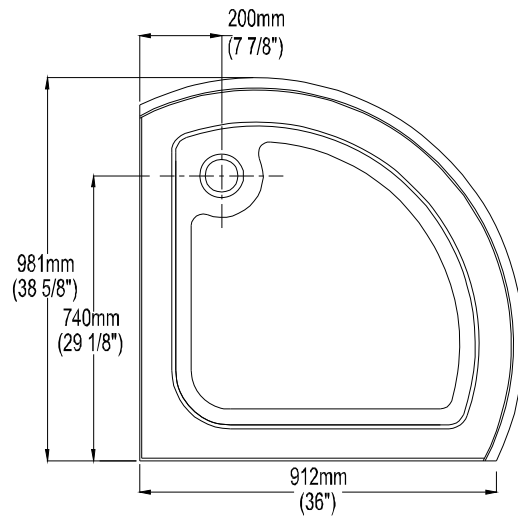
SHTR-1036360



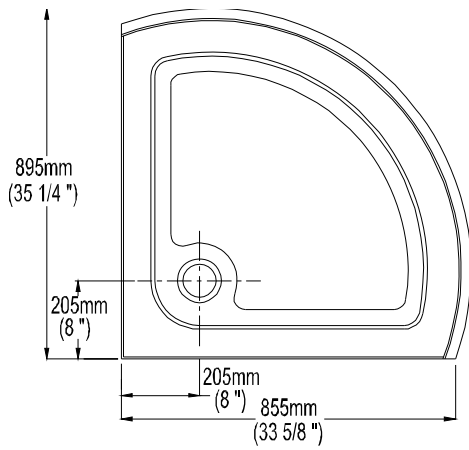
SHTR-1132320



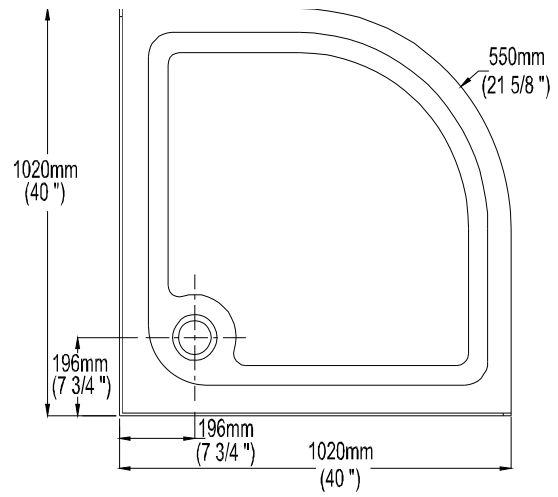
SHTR-404040



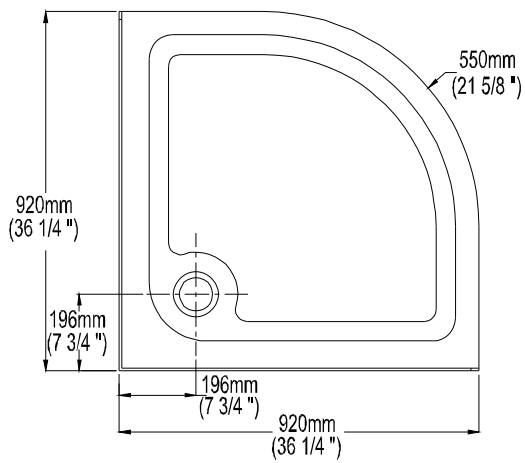
SHTR-403636



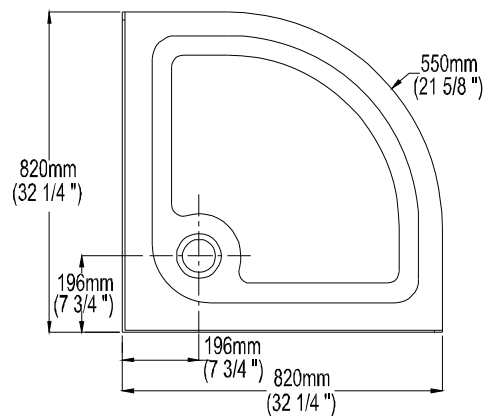
SHTR-403434



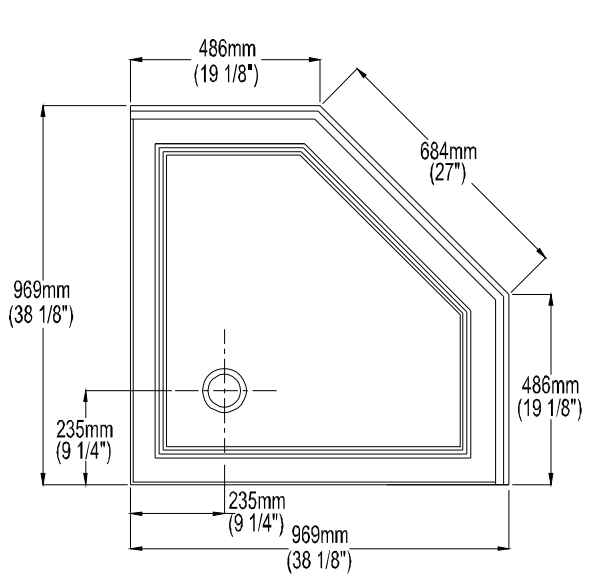
SHTR-704040



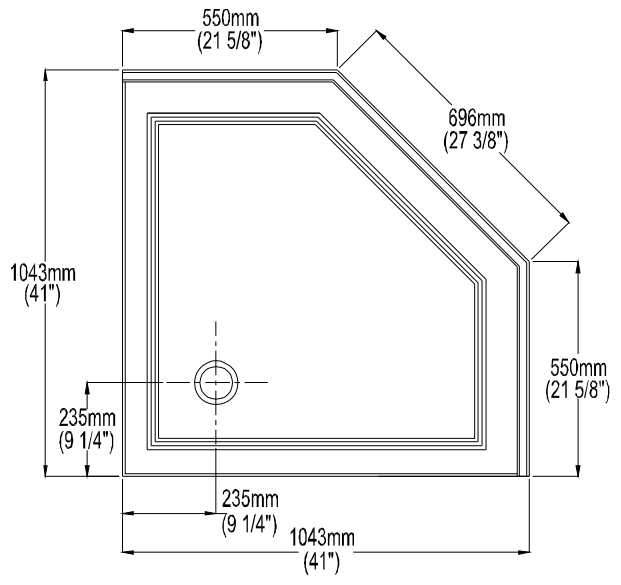
SHTR-703636



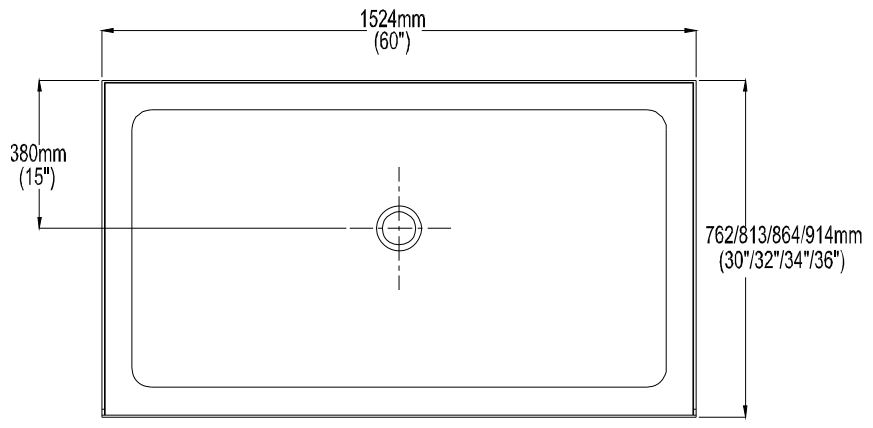
SHTR-7032320



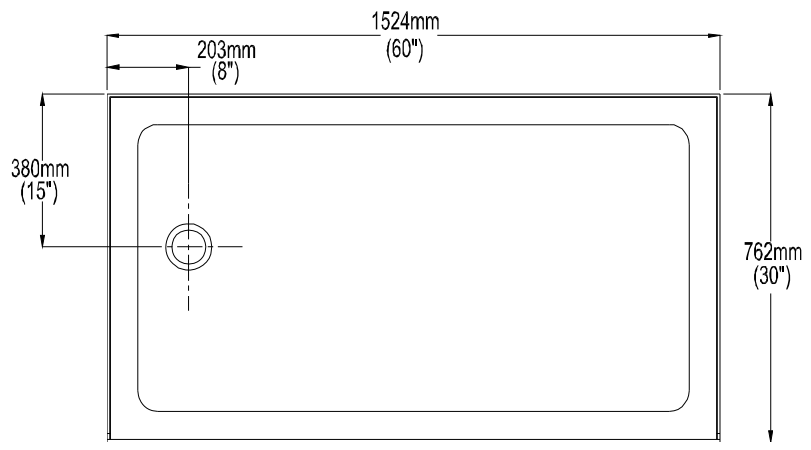
SHTR-2038380



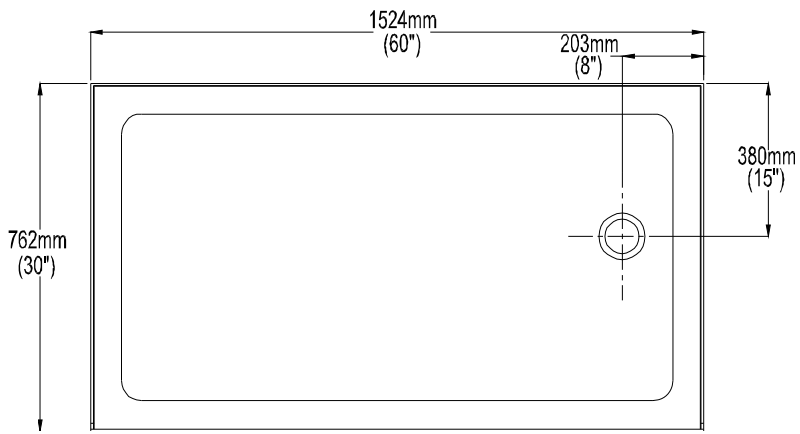
SHTR-2041410



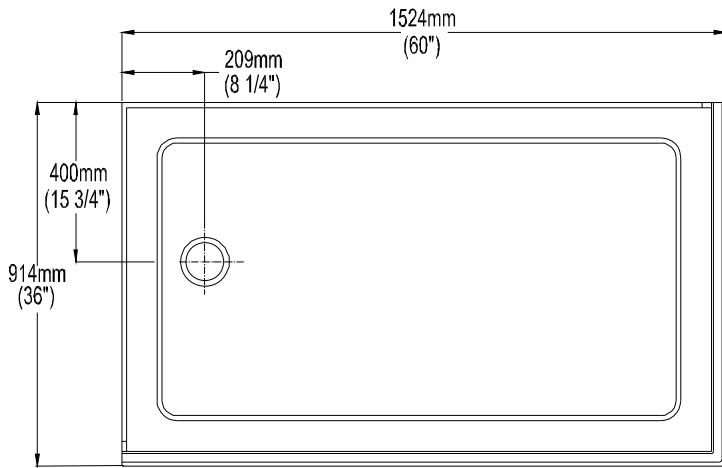
SHTR-11 30/32/34/36 600



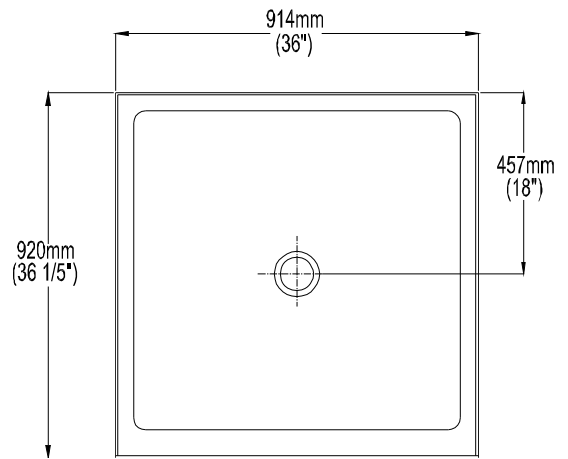
SHTR-1130601



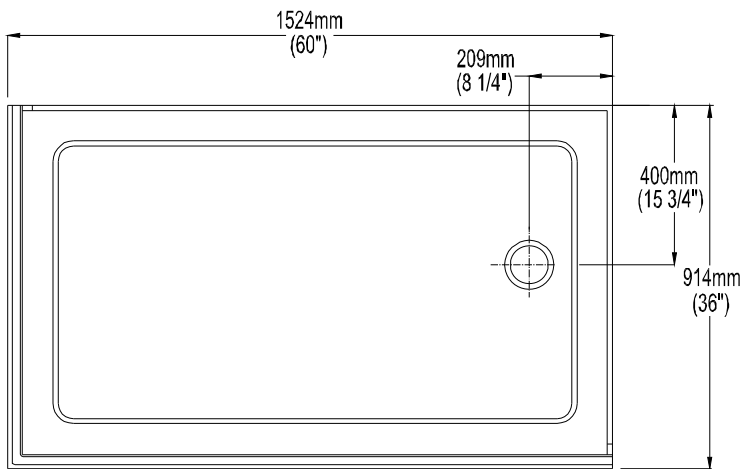
SHTR-1130602



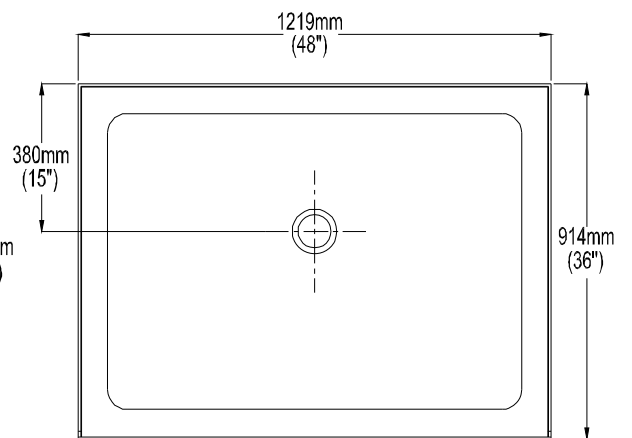
SHTR-1036601



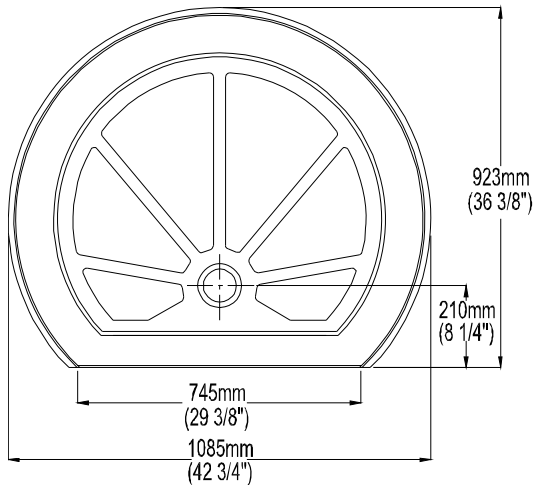
SHTR-1136360



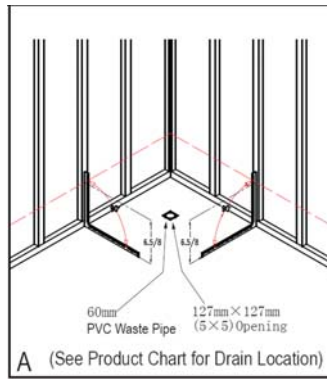
SHTR-1036602



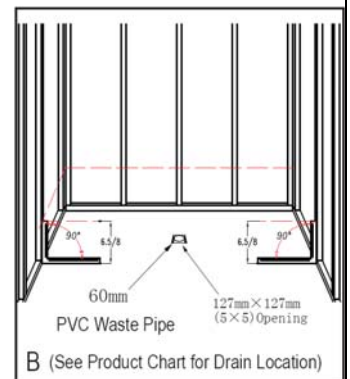
SHTR-1136480



SHTR-5037430



A (See Product Chart for Drain Location)



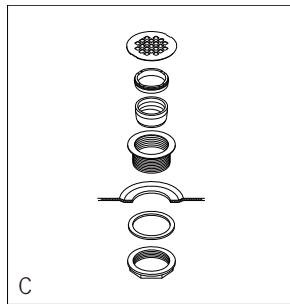
B (See Product Chart for Drain Location)

①

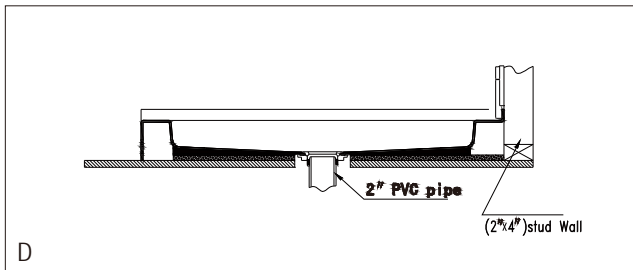
Ensure the floor and stud walls are at the right angle. Provide a 5"×5" opening in the floor for the drain (Pic A&B). The waste pipe should extend above the surface of the sub-floor. See product drawings on this page for the specified drain locations.

②

Install shower drain according to the drain installation manual (supplied with the drain)



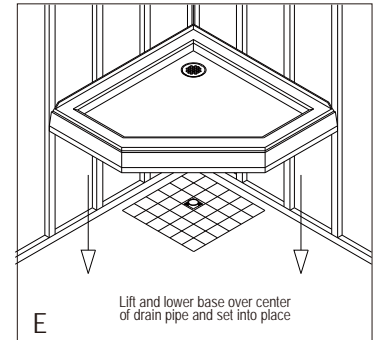
C



D

③

- 1) Place the tray in to the installation position (Pic E&F)
- 2) Level tray and place marks on studs on the upper edge of the tile flange
- 3) Remove the tray from the place (Pic E&F)
- 4) Mix the bedding material (Mortar, Plaster, etc). Concrete is not recommended. Apply enough bedding material to support the entire bottom of the shower base.

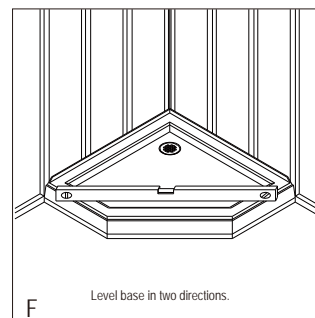


E

Lift and lower base over center of drain pipe and set into place

④

After the bedding material has been poured and before it sets, place the shower base into the position with the drain assembly sliding over the waste pipe (Pic E); it will be necessary to push the shower base until the top of the tile flange aligns with the marks drawn on the wall studs and the front edge is contacting the rough floor along the entire length of the shower base. Ensure that the base is level in two directions (Pic F). You may need to use shims to hold the tray in the level until the bedding settles and supports the tray. Remove all extra mortar.

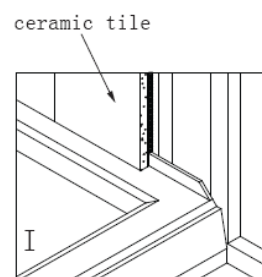
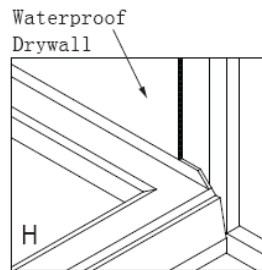
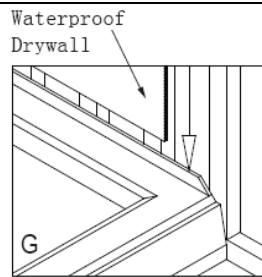


F

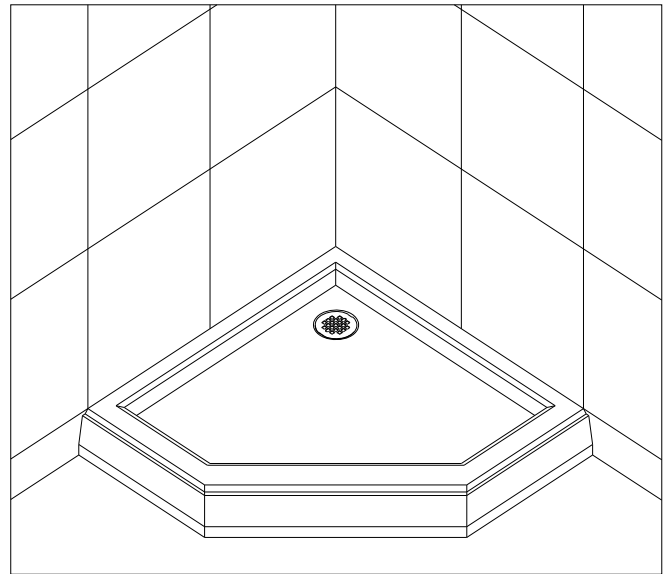
Level base in two directions.

⑤

Allow the bedding material to completely harden before applying weight to the bottom of the shower base.



⑥



Acrylic Cleaning. Acrylic should be cleaned with warm water and a clean, nonabrasive cloth. If desired, a mild, nonabrasive detergent may also be used. Use only light pressure when cleaning frequently. Dry by blotting gently with a clean, dry cloth.

DO NOT USE window cleaning sprays, alcohol, kitchen abrasive compounds, or solvents (such as acetone, gasoline, or thinners). Do not use ammonia based cleaning solutions on the acrylic as it will eat in the surface and cause it to damage.

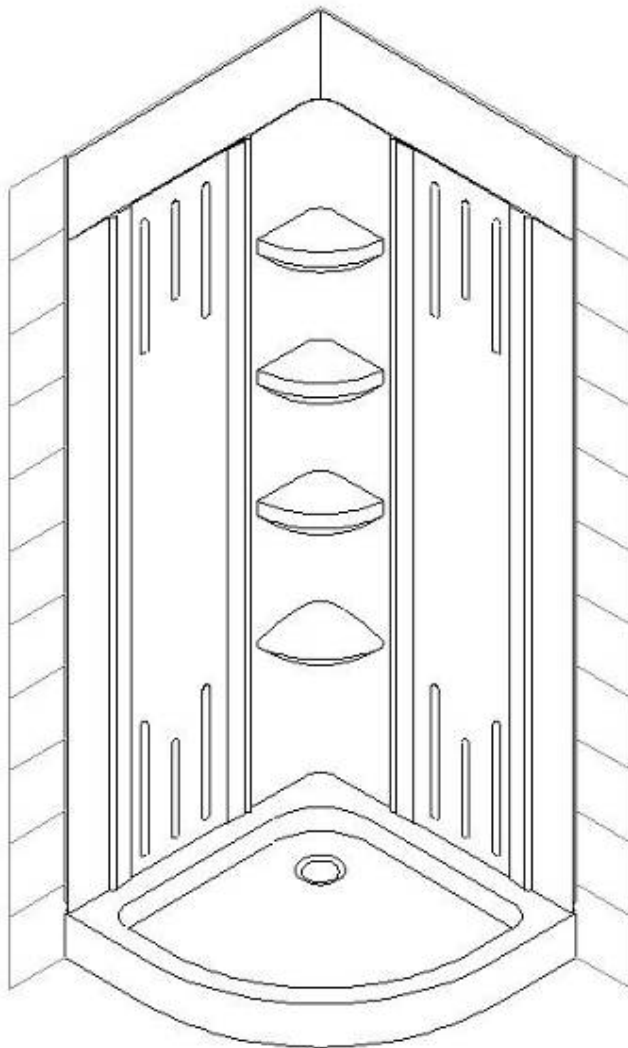
How do you get scratches out of Acrylic? For light scratches, use a buffing compound such as car wax. Lightly buff the surface by hands until scratches disappear.



Acrylic Walls Installation Instructions

IMPORTANT

Please read carefully the following instructions before installing your shower acrylic walls. If you have any questions on this shower acrylic walls installation - please call our technical support specialists Monday to Friday 9:00AM – 5:00PM EST at 1-866-731-8378 Option 3 or e-mail our technical support group at support@BathAuthority.com



Our product may have changes without prior notice

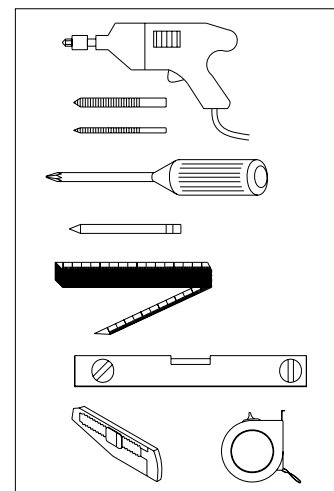
Preparation

1. After opening all the boxes, read this introduction carefully, check all the packed parts are complete by cross checking all the components. Examine for shipping damage. If the unit has been damaged or has a finishing defect, please contact your local distributor within 3 business days. Please note that **Bath Authority™ / DreamLine™ will not replace any damaged product or parts free of charge after 3 business days or if the product has been installed.** Contact your distributor if you have any questions.
2. **Please note that you should consult your local building codes on questions on installation compliance standards. Building and plumbing codes vary by location, and DreamLine is not responsible for code compliance standards for your project.**
3. This acrylic wall system is specially designed to be installed over any solid surface. It can be used with most shower enclosures with recommended sizes over existing walls or in a new construction.
4. If you are installing the acrylic walls over existing tiles, remove all loose tiles before installing. If you are installing over existing painted walls, take all loose paint off.
5. Make sure to turn off water supply, remove faucet handles or any fixture trims protruding from the wall. Clean the surface removing soap film and dirt from all wall surfaces using regular household detergent, then wipe dry.

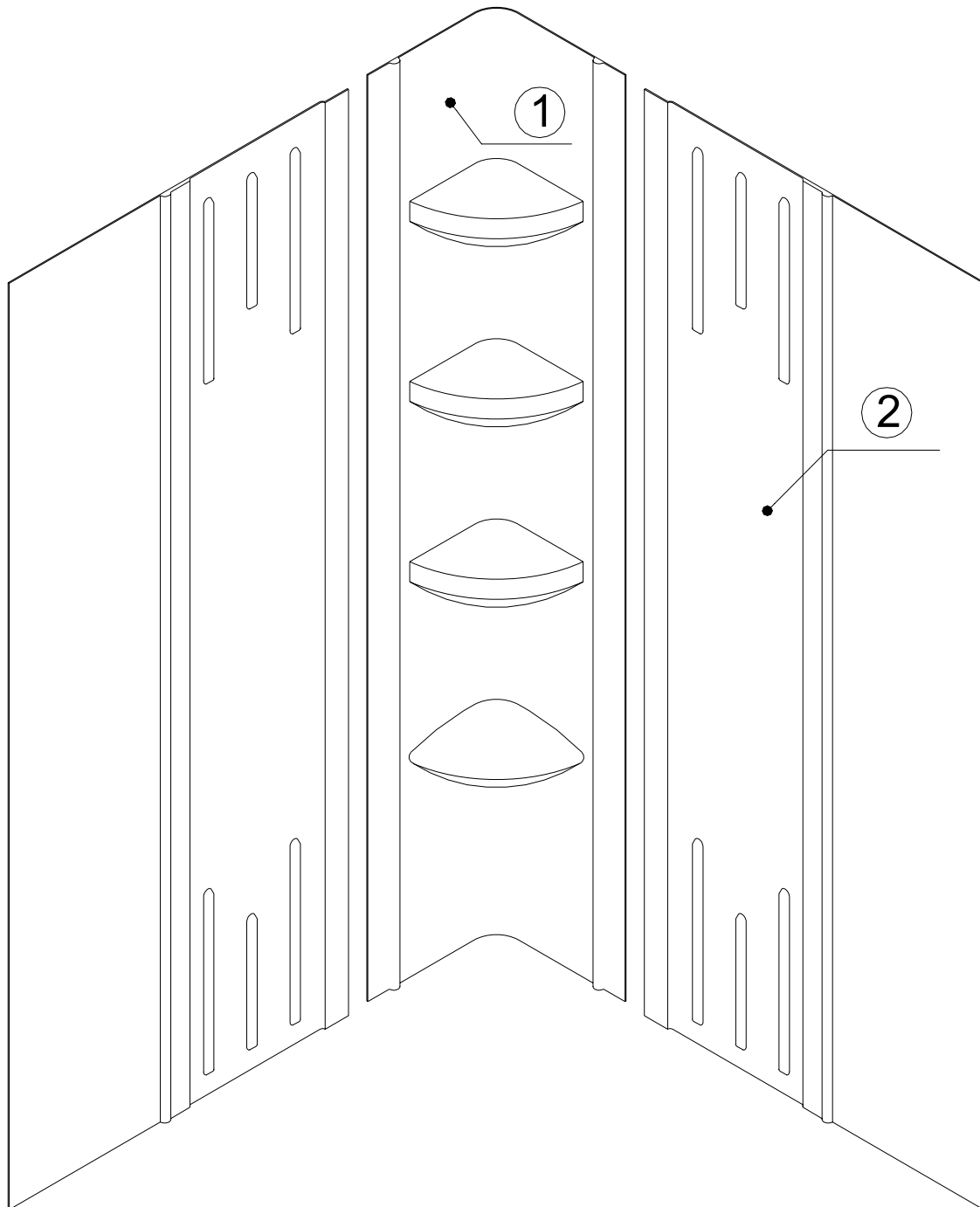
Tools Required

Pencil, Tape measure, caulking gun, Spirit level with horizontal and vertical indicators, knife, (may be required for shower enclosure installation: Electric drill, Phillips screwdriver, Slotted screwdriver) and any additional tools needed to remove faucet fixtures.

This acrylic walls system is designed to be installed in the shower enclosure space from 32" up to 40". You can use any adhesive designed for acrylic panels or clear silicone. You may also use Liquid Nails Adhesives LN-915 or LN-715. When you use any adhesive, please, follow the recommendation of the adhesive manufacturer on using their product.



Packing List



01	Corner Acrylic Wall	1 pc	02	Side Acrylic Wall	2 pcs
----	---------------------	------	----	-------------------	-------

Now that you have checked that all listed components are there, you are now ready to start the installation of your Dreamline Acrylic wall.

Acrylic Wall Installation

1. Install the tray prior acrylic back walls installation. Follow your tray installation instructions to install it properly.
2. Surface must be dry, smooth and free of any dust, soap scum or any other contaminants. Run a bead of silicone or adhesive on the corner wall piece and along the wall area where the wall corner piece will rest. It should be applied on one panel at a time or it will start to set (Fig 1 & 2).
3. Place the panel in position and apply pressure to the complete surface top to bottom to ensure good overall contact (Fig 3).
4. Run a bead of silicone down the next area where the side panel will rest (this should be the side where there are no controls or valves) (Fig 4).
5. Place the side panel in position and apply pressure to the complete surface top to bottom to ensure good overall contact. DO NOT trim (Fig 5).
6. Carefully measure and drill the holes in the second side panel which will accommodate the shower head and mixing valves. Make sure that all plumbing fixtures protrude through the acrylic walls when it is put in position (Fig 6 & 7).
7. Apply a wide bead of silicone down the area where the second panel will rest. Run a bead of silicone along the panel (make sure silicone is applied around the cut out holes) (Fig 8).
8. Place the side panel in position and apply pressure to the complete surface top to bottom to ensure good overall contact. DO NOT trim (Fig 9).
9. Without permanently installing the front enclosure, mark the outer edges of the vertical profiles (Fig 10 & 11).
10. Using knife trim the excess of the acrylic panels (Fig 12 & 13).
11. Apply a final layer of the caulking material to the vertical and horizontal outside seams where the panels are joined and meet the tub (Fig 14).

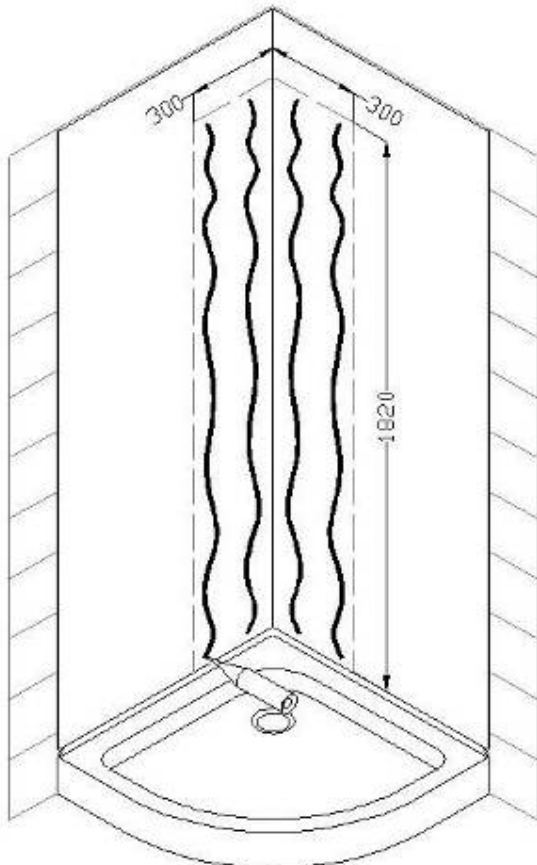


Fig 1

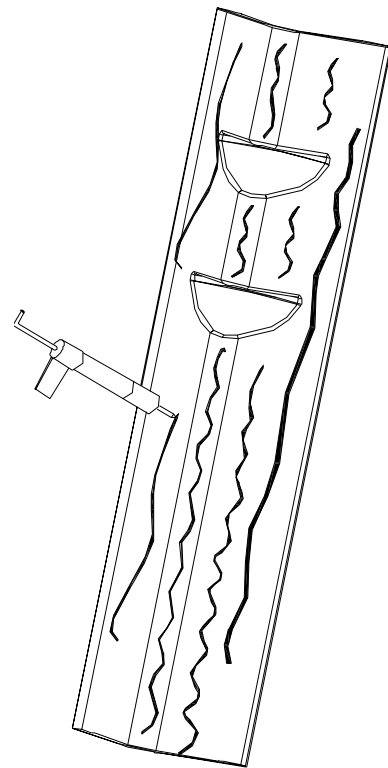


Fig 2

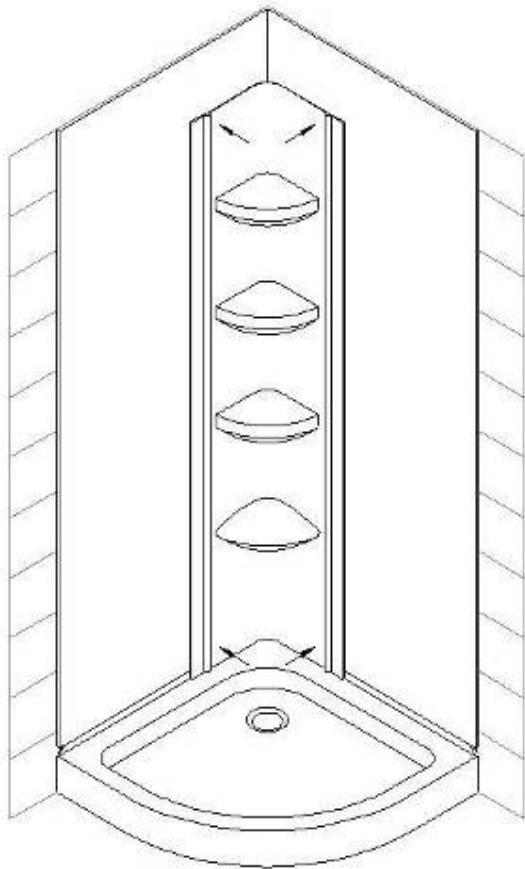


Fig 3

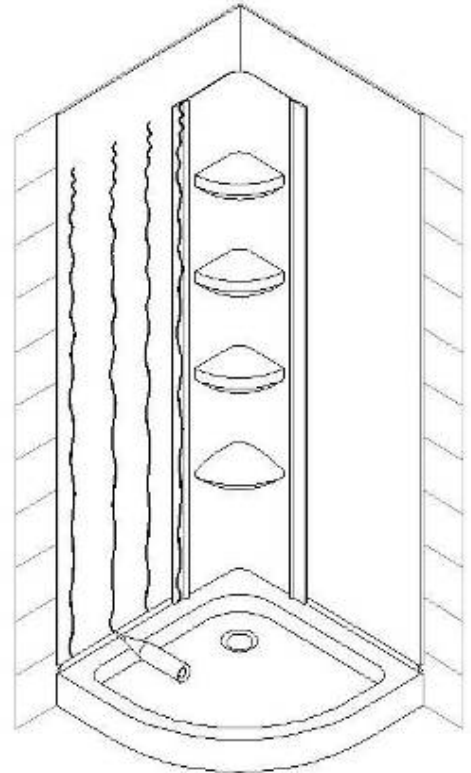


Fig 4

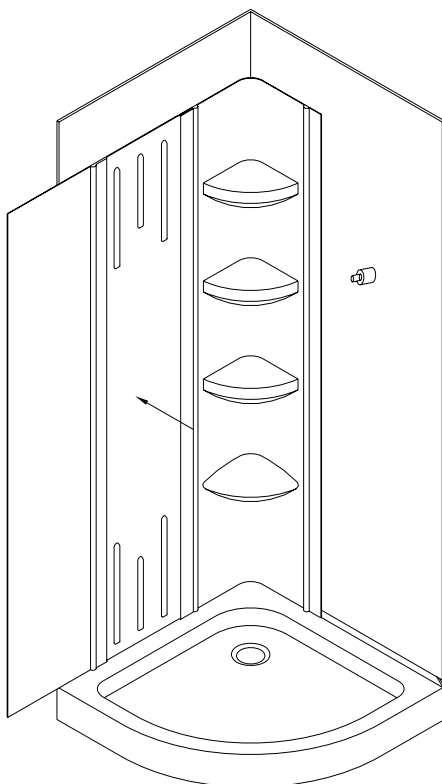


Fig 5

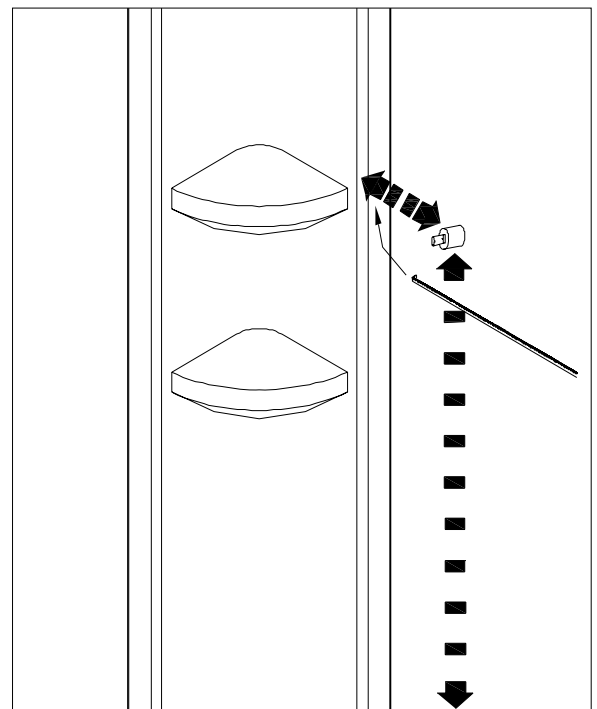


Fig 6

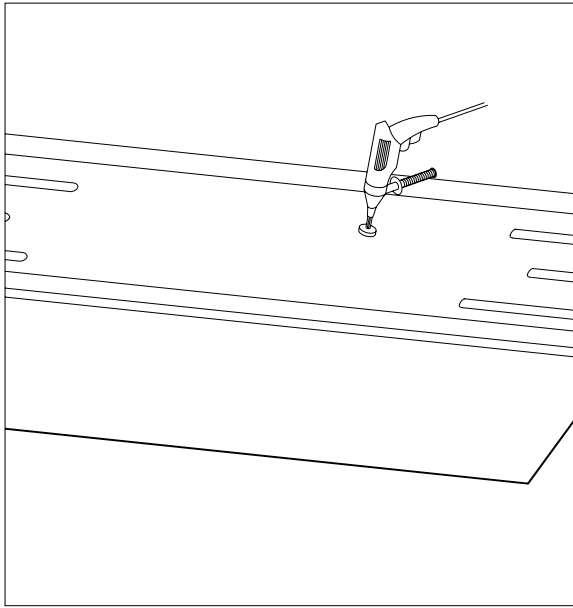


Fig 7

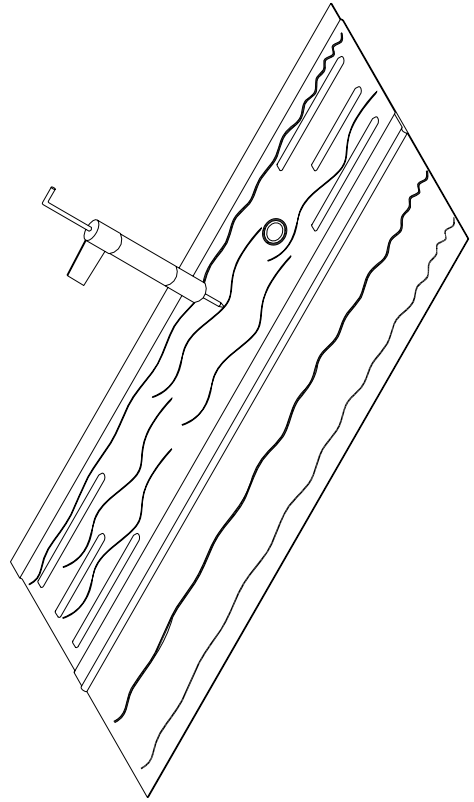


Fig 8

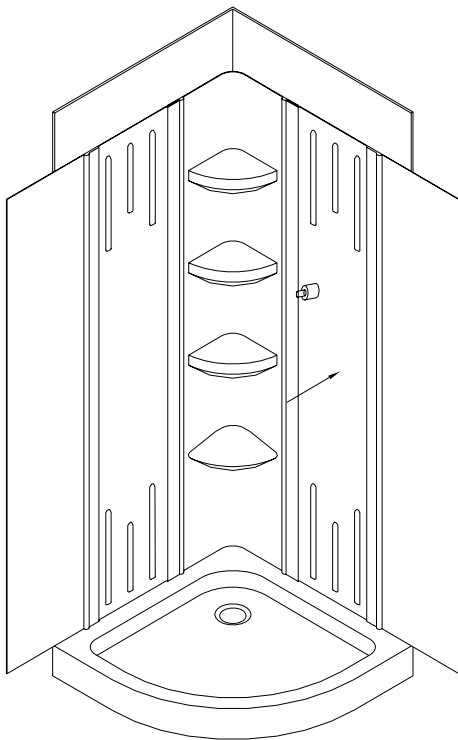


Fig 9

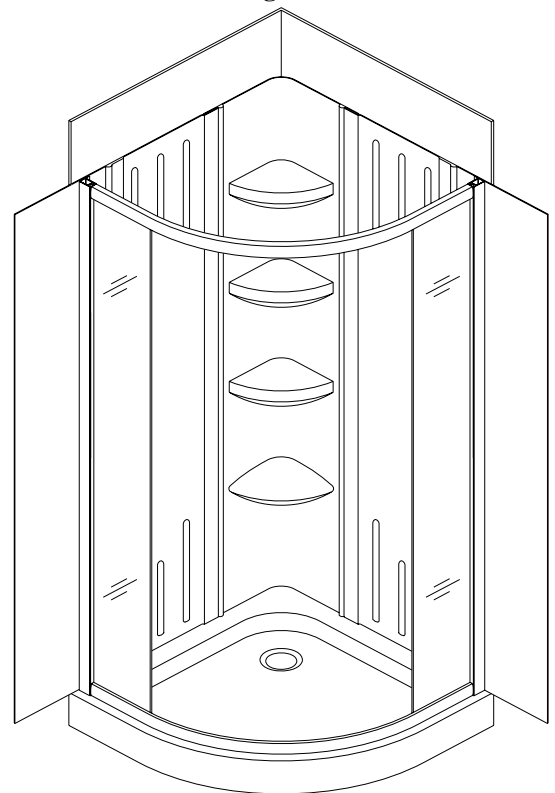


Fig 10

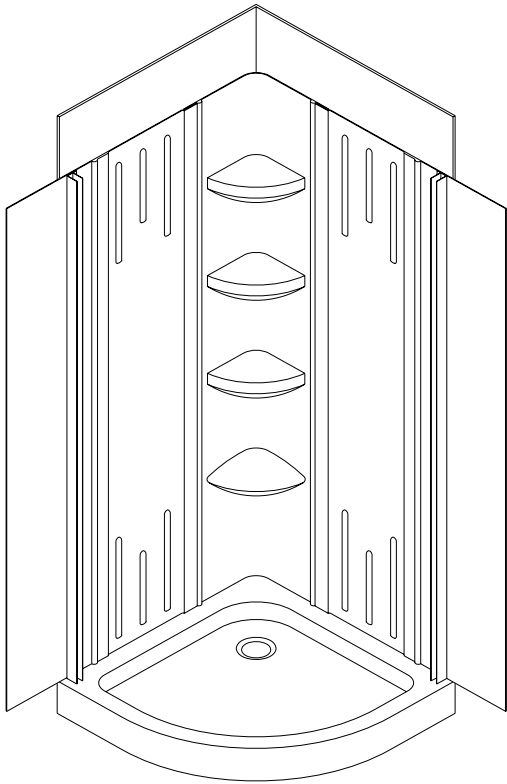


Fig 11

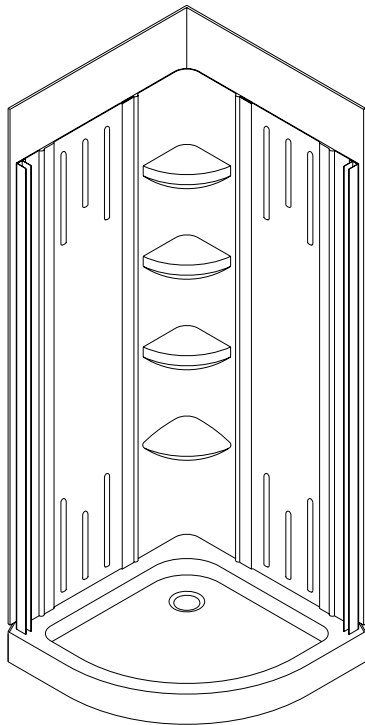


Fig 13

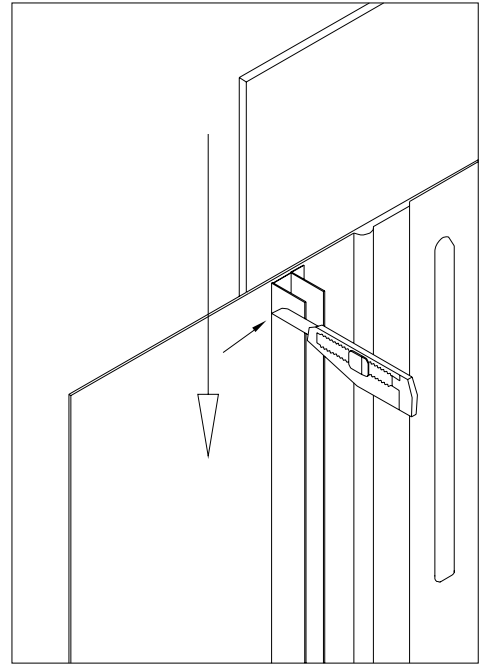


Fig 12

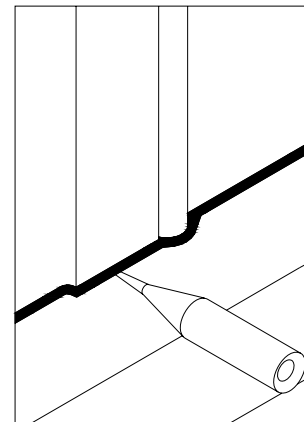
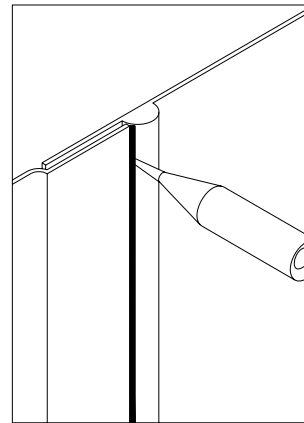


Fig 14

Product maintenance

Acrylic cleaning. Acrylic should be cleaned with warm water and a clean, nonabrasive cloth. If desired, a mild, nonabrasive detergent may also be used. Use only light pressure when cleaning. Avoid rubbing dirt or grit into the surface. Turn the cloth often and replace with a clean cloth frequently. Dry by blotting gently with a clean, dry cloth.

DO NOT USE window cleaning sprays, alcohol, kitchen abrasive compounds, or solvents (such as acetone, gasoline, or thinners). Do not use ammonia based cleaning solutions on the acrylic as it will eat into the surface and cause it to damage.

How do you get scratches out of Acrylic? For light scratches, use a buffing compound such as car wax, using the buffer provided slightly buff the surface by hands until scratches disappear.

Bath Authority™ LLC / DreamLine™

Shower Enclosure, Jetted/Steam Shower and Shower Columns

Limited Warranty

CONSUMER RESPONSIBILITIES

Your DreamLine™ Shower Products will remain beautiful for many years if you take care of them. Some of the waterproofing plastic strips and other seals will need to be replaced when they show signs of wear, yellowing, or are not watertight. Refer to the parts list of your manual for all seals. Water conditions in various parts of the country will determine any extra cleaning attention you may have to give your new shower enclosure or jetted shower. DreamLine™ does not recommend the use of harsh abrasive cleansers on any of its products. Harsh cleansers will damage the metal or glass finish on your shower enclosure or jetted shower.

REQUESTING SERVICE

Here's what you need to do if you require service:

1. Contact the dealer who sold and/or installed the product. They should be able to solve any problems you may have.
2. If your dealer or contractor cannot solve the problem, they will contact or supply you with the name of the local DreamLine™ Distributor or a DreamLine™ Direct Technical Specialist

3. If you are unable to obtain warranty service through either your contractor or DreamLine™ distributor, please write us directly at

Bath Authority™ LLC / DreamLine™

909 Louis Drive

Warminster, PA 18974

ATTN: Customer Service Department

4. Include all pertinent information regarding your claim, including a complete description of the product, model numbers, colors, finishes, and the date the product was installed. Include a description of the problem and a photocopy of your invoice and purchase receipt(s) for the products involved. Also please provide information on the name and contact telephone numbers of the contractor and distributor.

Please note that under any circumstances, DreamLine™ products should not be returned to your dealer, distributor or directly to DreamLine™ without a written Return Merchandise Authorization (RMA).

LIMITED ONE-YEAR WARRANTY

This warrantee extends only to the original owner/end-user for personal household use only. For commercial uses, additional limitations may apply.

DreamLine™ warrants acrylic surface against blistering or cracking and chipping resulting from defect in the acrylic surface material when used under normal condition and service for a period of one (1) year from the purchase date.

DreamLine™ warrants mirrors, shower doors, shower massage systems, faucet finishes and fittings to be free from defects in workmanship and materials under normal use and service for a period of one (1) year.

DreamLine™ further warrants the structure of the acrylic shell against loss of water through the fiberglass laminate of the acrylic body as a result of defect in materials and workmanship for a period of five (5) years from the purchase date.

DreamLine™ will, at its election, repair, replace, or make appropriate credit adjustment where DreamLine™ optional inspection discloses any such defects occurring in normal usage within the warrantee periods.

Please note that DreamLine™ is not responsible for any installation or removal costs.

Improper modification of any enclosure, jetted shower or shower column components may void the warrantee - so please install the product as directed in the manual. This warrantee does not cover any claim arising from abuse, misuse, negligence, accident, improper installation or operations on the part of the purchaser. This warrantee is void if the DreamLine™ product is subject to alterations, or if repairs are attempted by anyone other than an authorized agent of DreamLine™. This warrantee does not extend to any plumbing or components installed by dealers, installers or by any party other than DreamLine™.

Implied warranties, including that of merchantability or fitness for a particular purpose, are expressly limited in duration to the duration of this warranty. DreamLine™ disclaims any liability for special, incidental, or consequential damages.

Some states do not allow limitations on how long an implied warranty lasts or the exclusion or limitation of special, incidental, or consequential damages, so these limitations and exclusions may not apply to you. This warranty gives you specific legal rights. You may also have other rights which vary from state to state. This limited warranty provides specific legal rights as they apply within the USA, and other rights may be available, but may vary from country to country.

This is our exclusive written warranty for DreamLine™ Shower Enclosure, Jetted/Steam Shower and Shower Column purchases made after May 2004. DreamLine™ reserves the right to modify this warranty at any time, and the consumer understands that such modification will not alter the warranty conditions applicable at the time of the sale of the product.