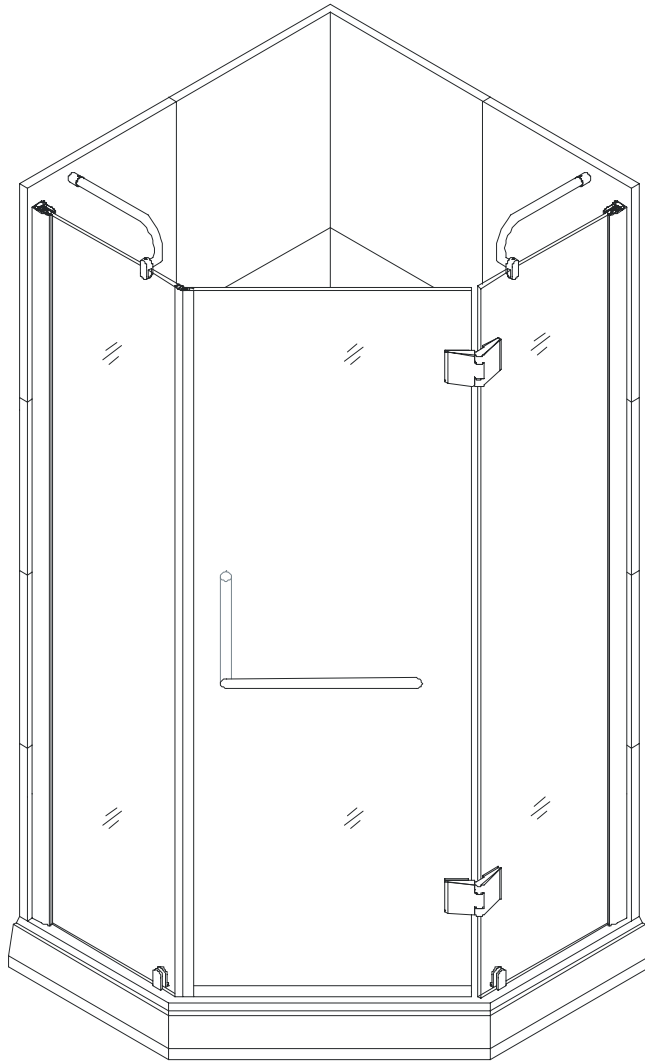




Neo Shower Enclosure Installation Instructions

IMPORTANT

Please read carefully the following instructions before installing your shower enclosure. If you have any questions on this shower enclosure installation - please call our technical support specialists Monday to Friday 9:00AM – 5:00PM EST at 1-866-731-8378 Option 3 or e-mail our technical support group at support@BathAuthority.com

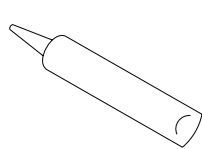


Our product may have changes without prior notice

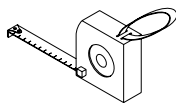
Preparation

1. After opening the boxes, read this introduction carefully, check all the packed parts are complete by cross checking all the components against the "Detailed Diagram of Shower Enclosure Components". Examine for shipping damage. If the unit has been damaged or has a finishing defect, please contact your local distributor within 3 business days. Please note that **Bath Authority™ / DreamLine™ will not replace any damaged product or parts free of charge after 3 business days or if the product has been installed.** Contact your distributor or DreamLine if you have any questions.
2. **Please note that you should consult your local building codes on questions on installation compliance standards. Building and plumbing codes vary by location, and DreamLine is not responsible for code compliance standards for your project.**
3. Install all of the required plumbing and drainage before securing the shower. **Use a competent and licensed (if required by local code) plumber for all plumbing installation.**
4. Please insure that prior to the installation the floor is leveled and solid and will be able to support the total weight of the unit and its occupant. Also make sure the walls are at right angles. While some adjustment in leveling of the tray is possible, irregular floor level or improper angle of side walls will result in serious problems for your installation. Please, note that there are some adjustments and drilling might be necessary during the installation process.

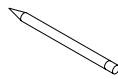
Tools Required



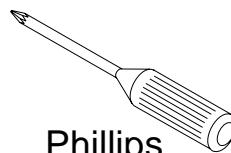
Caulk



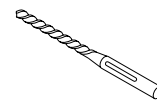
Tape Measure



Pencil



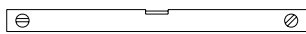
Phillips Screwdriver



Drill bit (D=5/16")



Drill bit (D=1/8")



Level



Caulk Gun

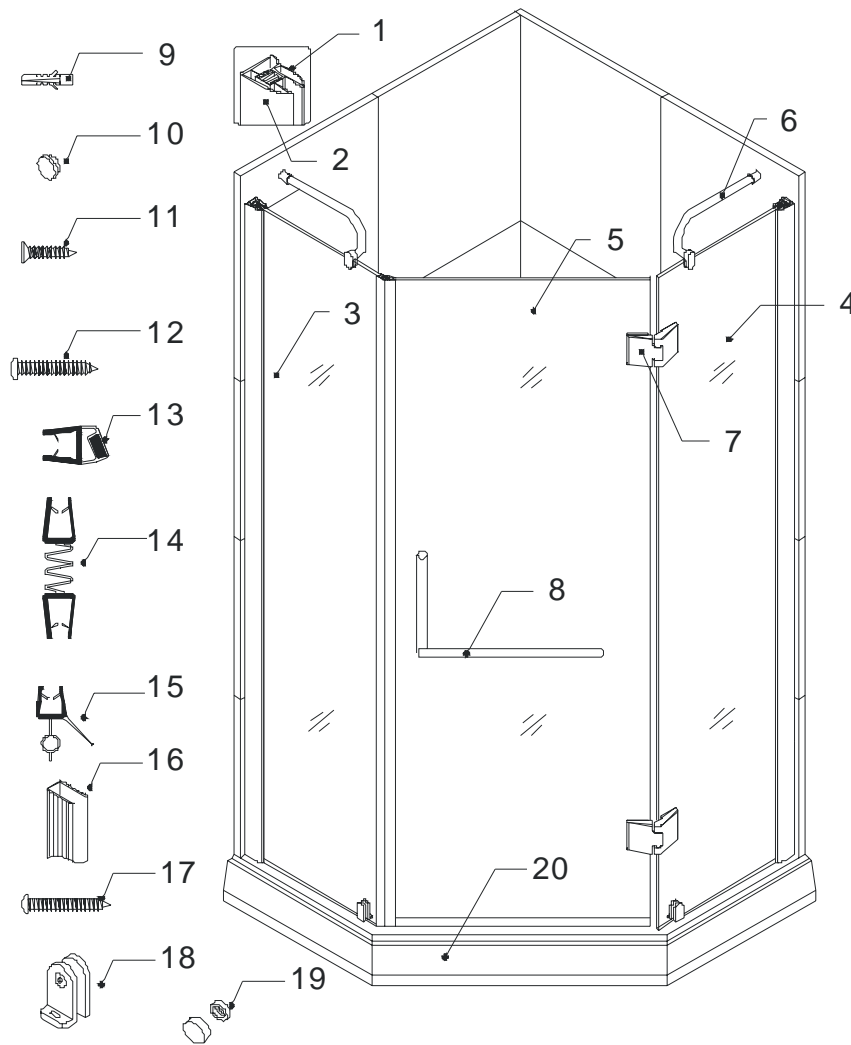


Electric Drill



Hammer

Detailed Diagram of Enclosure Components



Packing List

01	Wall profile	2pcs	11	Screw ST4.2×18	8pcs
02	Glass profile	2pcs	12	Screw ST4.2×30	8pcs
03	Stationary glass 1	1pc	13	Magnetic strip	2pcs
04	Stationary glass 2	1pc	14	Connected anti-water strip	1pc
05	Glass door	1pc	15	Bottom anti-water strip	1pc
06	Support bar	2pairs	16	U-shape seal gasket	2pcs
07	Hinge	2pcs	17	Screw ST4.2×25	2pcs
08	Handle	1set	18	Glass bracket	2sets
09	Wall anchor	10pcs	19	Decorative cover	2pcs
10	Plug	8pcs	20	Bottom tray	1pc

After you have checked that all components are there, you will be ready to start the installation of your DreamLine shower enclosure.

Enclosure Installation

Install a shower tray following the Tray installation manual. Tray should be installed against the bare studs, before wonder board and tile is laid.

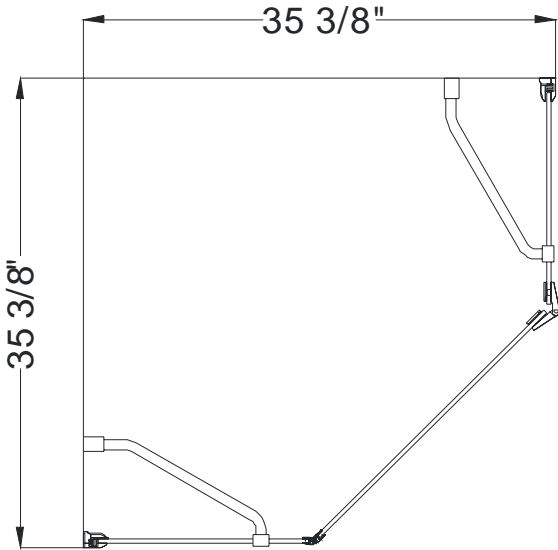
The shower enclosure has to be installed after you finish the wall.

1. You can start installation from any side of the wall. Locate the **Wall Profile (02)** from the package, and then place it vertically above the tray 35 3/8" or 38 1/4" (depending on the size of your enclosure – See Diagram 1) from the corner to the external edge of the profile. Using a level to adjust the wall profile upright, and then use predrilled into aluminum profile holes to put on marks for drilling. Now drill the holes and insert the **Wall Anchors (09)** into the holes. Apply silicone sealant along the holes on the wall. Use **ST4.2x30 Round head self-tapping screws (12)** to attach the wall profile to the wall. See Fig.1 for details.
Be sure that profile is absolutely vertical.
2. Attach the **Glass Profile (01)** to the wall profile using **ST4.2x18 Flat head self-tapping screws (11)** and slightly fasten the profile. Locate the **stationary glass panels (03, 04)**. Place the **U-shape seal gasket (16)** on the long (vertical) side of the glass panel; then fit the glass with the gasket into the assembled wall profile channel and fasten it tight. Cover the holes with **Plugs (10)** See Fig.2 for details.
3. Repeat steps 1-2 to install second wall profile and the stationary glass panel. Check, if both stationary glasses are installed vertically.
4. Locate the **Support Bar (06)** from the package. Drill the hole for the bracket on the wall according to the measurements given in Fig.3. Insert the wall anchor and secure the bracket to the wall with the **Screw ST4.2x30 (12)**. Place the **Support bar** with channel on the glass and insert the other end into the bracket. Tighten the set-screws provided at both ends. Do not fasten them very tight as you may need to perform some adjustment at a later time. See Fig.3 and Fig.4 for details.
5. Install the **Hinges (07)** with the decorative non-screw side facing outwards onto the hinged stationary glass panel and the glass door. Hook the **Glass Door (05)** from the inside. You will need assistance in this process. Start off by attaching the hinges to the stationary glass. Place the hinge from the outside and screw it in from the inside, do this for the bottom hinge and the top hinge, but start first from the top hinge when you begin to hang the door on. Make sure that until both hinges are installed securely, the door does not swing around or lean/bend to any side because this can cause the hinge to snap and breakage of the glass. After the hinges are installed open and close the door to make sure it's operation is nice and smooth. Perform necessary adjustment to have the top edge of the door aligned with the stationary glass. See Fig.5 for details.
6. Install the **Handle (08)** to the glass door. Locate the vertical handle and horizontal handle. The horizontal handle will be on the outside and the vertical handle will be on the inside of the door. Start the installation from the outside which will involve the horizontal handle first. Don't forget to use the rubber gaskets between the glass and washers. See Fig.6 (Image 1) for details.
7. Push on the **Connected anti-water strip (14)** to seal between the glass door and the stationary glass. Install the **Magnetic Strips (13)** and **Bottom anti-water strip (15)** on the door. See Fig.6 (Images 2-4) for details.
8. Install the **Glass Brackets (18)** onto the stationary glasses. Adjust the glass door to ensure proper seal on the magnets and outline the glass bracket positions. Drill the holes and secure the glass brackets in place with **Screw ST4.2x25 (17)** covering the screw heads with **Decorative Covers (19)**. See Fig.7 for details.
9. Apply caulk (recommended 100% clear silicone) inside and outside along the bottom of the stationary glass, between the wall and glass profiles and the tray.

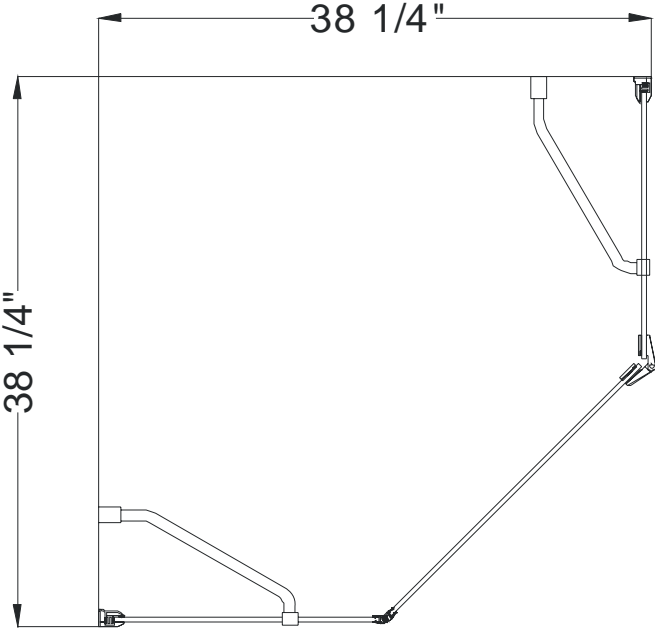
Note: You can have right or left door opening by switching the position of the hinged stationary glass.

Diagram 1

B: SHEN-2036368



C: SHEN-2038388



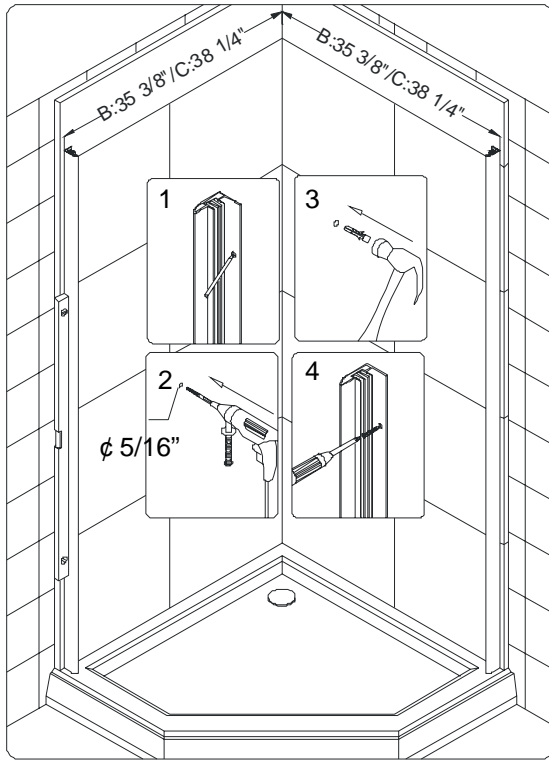


Fig 1

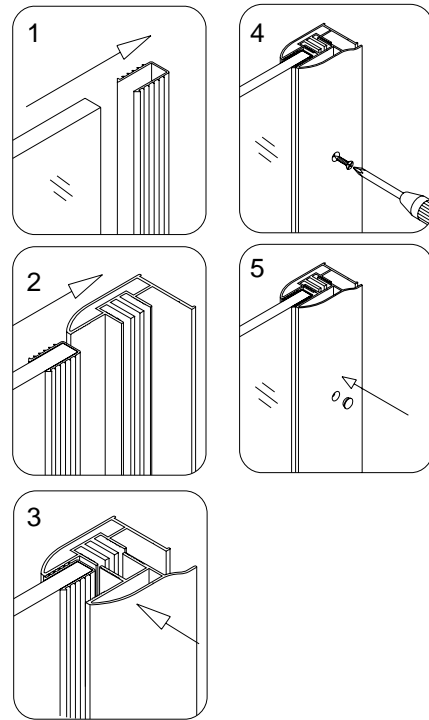


Fig 2

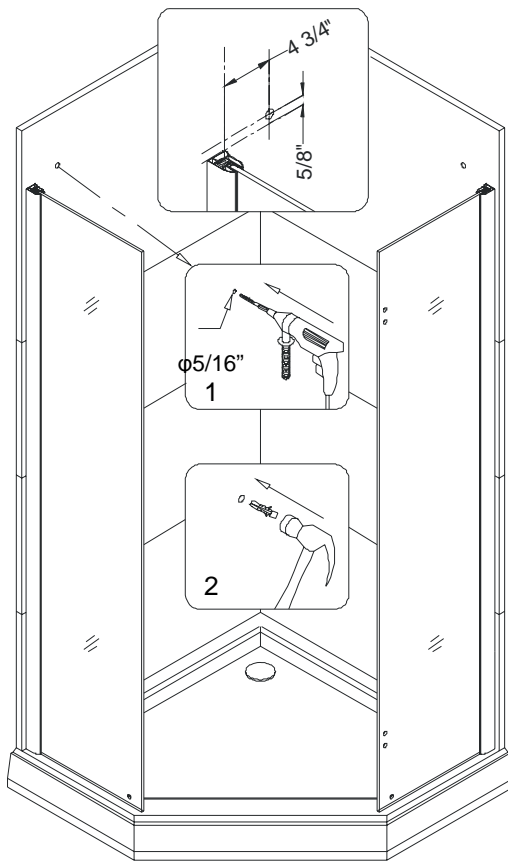


Fig 3

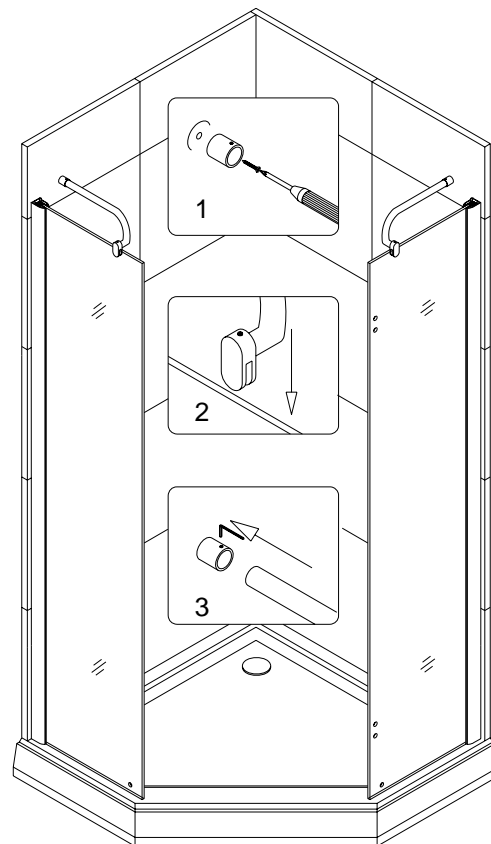


Fig 4

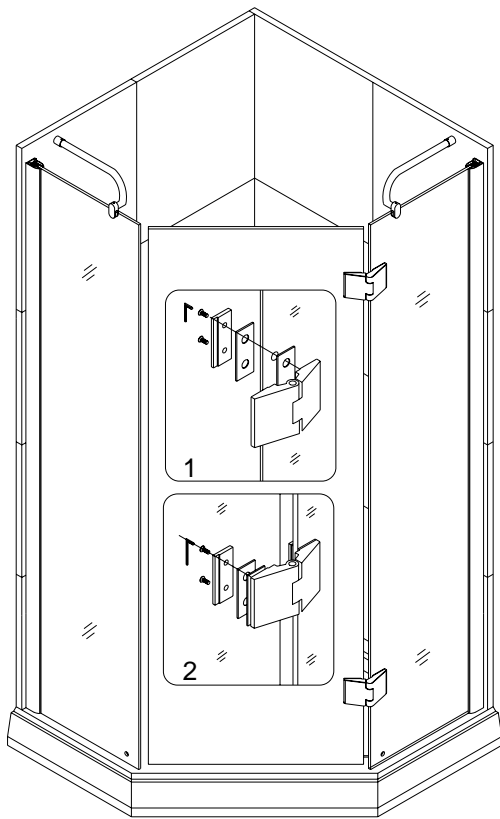


Fig 5

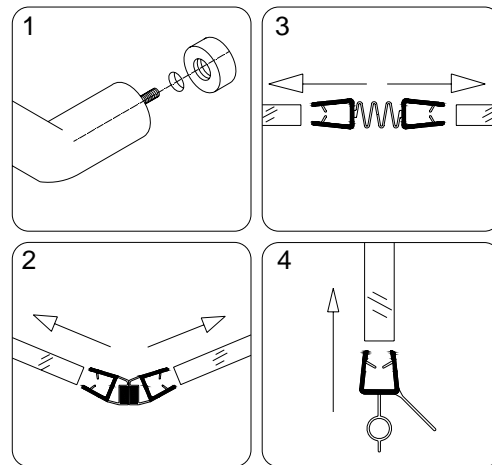


Fig 6

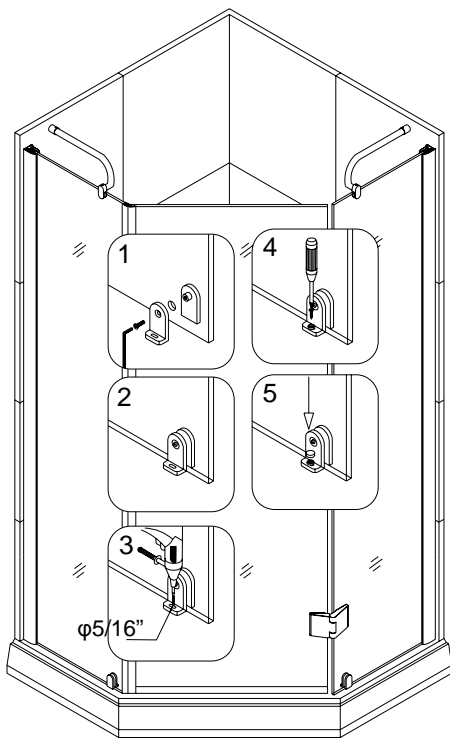


Fig 7

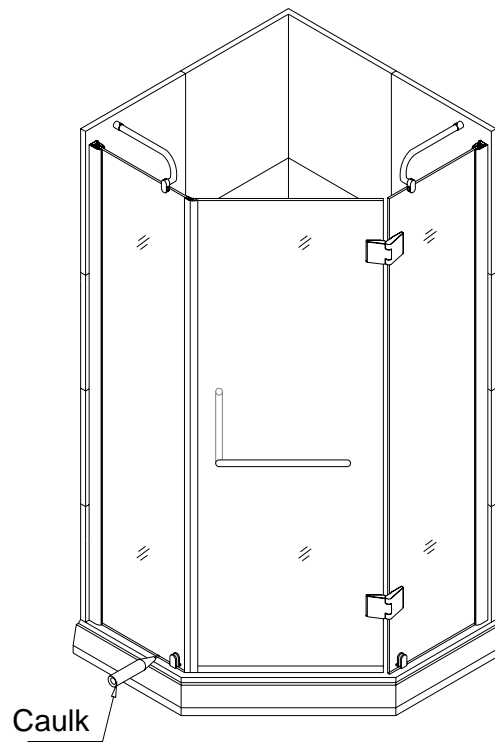


Fig 8

Product Maintenance

1. Tempered glass can be cleaned with nonabrasive bathroom cleaner or any glass cleaner you use elsewhere in your home. Rinse off any glass cleaner that gets on the metal parts as soon as possible to avoid damage to the metal surface. Avoid striking it with any sharp or hard objects. Such damage can cause either immediate or delayed breakage of tempered glass.
2. The metal parts in your shower door are durable and resistant to water damage. It is advisable, but not necessary to wipe it with your towel after you shower. Clean it as often as needed to keep the buildup off. Never use any type of abrasive cleaner. Use only a soft damp cloth and nonabrasive bathroom cleaners.