

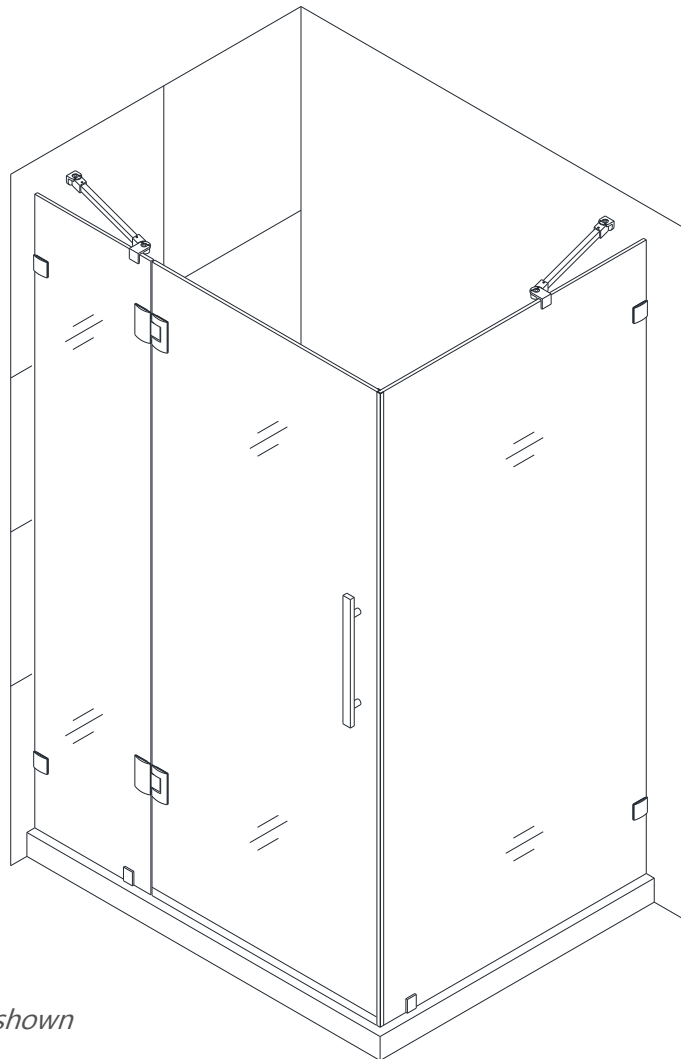


QUATRALUX

SHOWER ENCLOSURE INSTALLATION INSTRUCTIONS

IMPORTANT

DreamLine® reserves the right to alter, modify or redesign products at any time without prior notice. For the latest up-to-date technical drawings, manuals or additional details please refer to your model's web page on DreamLine.com



Right Hand Door installations shown

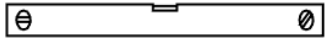
Please read these instructions carefully before installing. If you have any questions regarding installation, please contact our technical support specialists Monday through Friday 8:00 AM – 7:00 PM EST at Phone: [1-866-731-2244](tel:1-866-731-2244), Fax: [1-866-857-3638](tel:1-866-857-3638) or e-mail our technical support group at Support@DreamLine.com

For more information about DreamLine® products please visit DreamLine.com

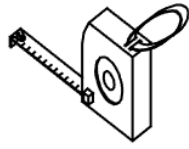
Preparation

1. Prior to installation, examine all boxes and packages for shipping damage and compare the piece count with your packing slip. After opening all boxes and packages read this introduction carefully. Check that all of the needed parts are included in the package by checking off the components on the "Detailed Diagram of Shower Door Components". If the unit has been damaged, has a finishing defect, or has missing parts, please contact our customer support department within **3 business days** of the delivery date. Please note that **DreamLine® will not replace any damaged products or missing parts free of charge after 3 business days or if the product has been installed.** Feel free to contact DreamLine® if you have any questions, and please provide an order number, job name or other proof of purchase to help us identify your original order.
2. **Please note that you should consult your local building codes with questions about installation compliance standards. Building and plumbing codes may vary by location, and DreamLine® is not responsible for code compliance standards for your project and will not accept any returns.**
3. Please make sure that prior to beginning the installation, the surfaces are leveled and solid and will be able to support the total weight of the unit. Also make sure the walls are at right angles. Irregular installation surface level, radius corners or improper angle of side walls will result in serious problems for your installation. Please, note that some adjustments and drilling may be necessary during the installation process.
4. Please protect all primary surfaces of the product during installation. Never set your glass down directly onto a tile floor. Leave corner protectors in place until necessary to remove them. Always use a piece of wood or cardboard to protect the bottom edge and corners of the glass prior to and during installation.
5. This unit must be installed upon a finished threshold and against finished walls.
6. This model requires that you drill into the threshold for proper installation.
7. **This model does NOT have any adjustment for out of plumb conditions. Verify that your walls are plumb before proceeding with the installation.**
8. **NOTE:** This door is reversible for right or left-hand door installation. The right-hand door installation is shown as an example throughout this manual. For the left –hand door installation, simply begin on the opposite wall and reverse the orientation of the steps shown.

Tools Required



Level



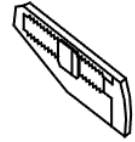
Tape Measure



Pencil



Phillips Screwdriver



Knife



Drill bit
Ø5/16"(8mm)



Drill bit
Ø1/8"(3mm)



Power Drill

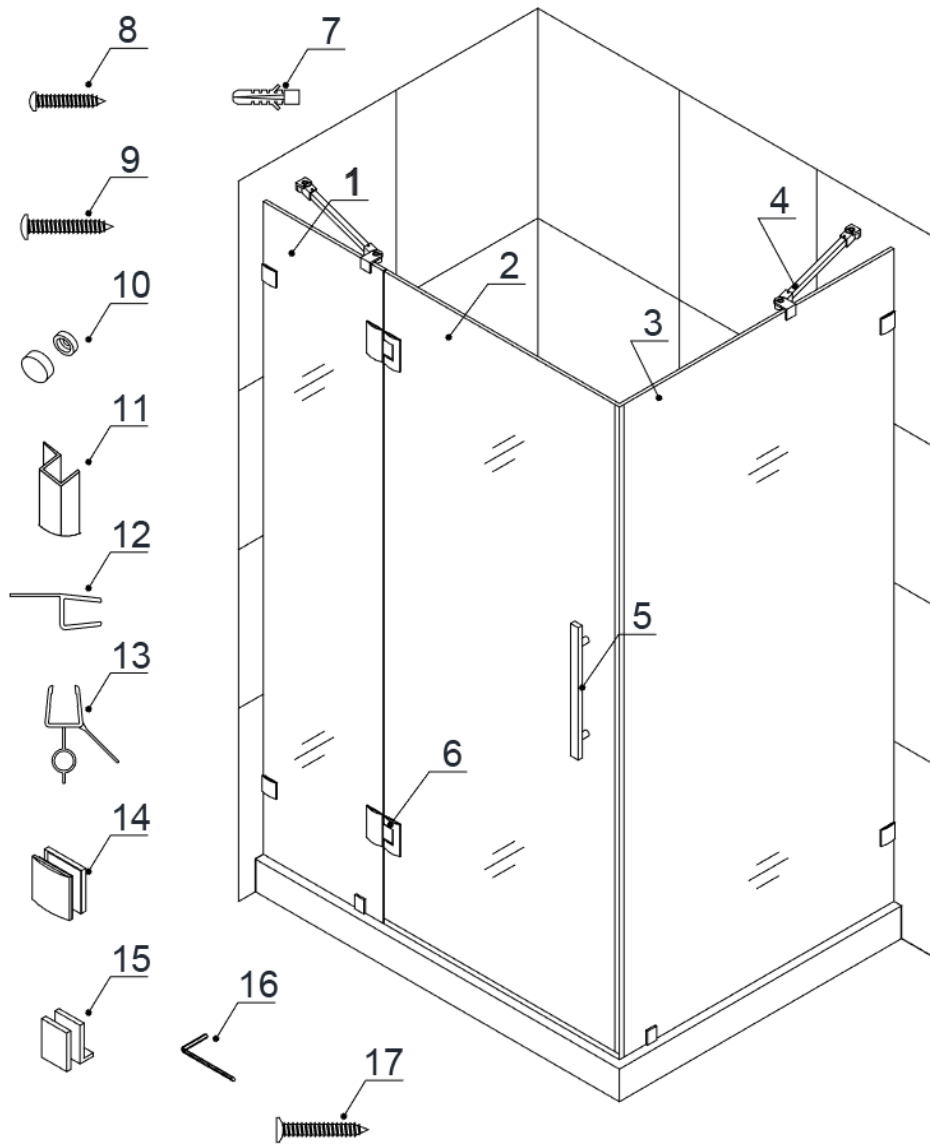


Hammer



Caulk

Detailed Diagram of Shower Enclosure Components



Parts List

01	Stationary Panel glass (inline)	1pc	10	Decorative cover w/ washers	2pcs
02	Door Glass	1pc	11	Side anti-water strip	1pc
03	Return Panel glass	1pc	12	Flanged anti-water strip	1pc
04	Support bar	2pcs	13	Bottom anti-water strip	1pc
05	Handle	1pc	14	Wall bracket	4pcs
06	Hinge	2pcs	15	Bottom bracket	2pcs
07	Wall anchor	6pcs	16	4mm hex wrench	1pc
08	Pan Head screw ST4.2×25	2pcs	17	Countersunk screw ST4.2 x 40	2pcs
09	Truss Head screw ST4.2×55	4pcs			

NOTE: Unpack your unit carefully and inspect it. Identify all parts using parts diagram and part list in your manual as a reference. Before discarding the carton, check for small hardware bags that tend to fall to the bottom of the box. If any parts are damaged or missing, please contact DreamLine® for replacement.

NOTE: Retain these installation instructions for future reference.

Shower Enclosure Installation

1. Assemble the **Wall brackets (14)** onto the **Stationary panel glass (01)** and the **Return panel glass (03)** using at least one gasket per side to protect the glass surface.

See Fig. 1 for details.

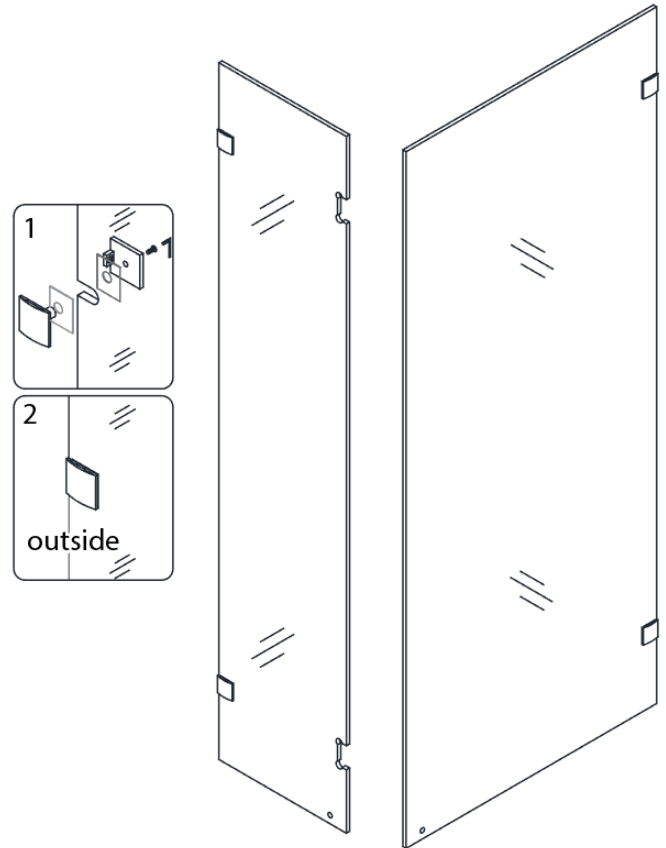


Fig. 1

Take extra care during the installation when setting your glass directly onto the threshold.

2. Draw a line on the wall according to your Shower Enclosure model size per the table below:

<i>Measured from the finished corner to the outside of the glass</i>		
Glass box code:	W1	W2
SHEN-GL1311-343410	34 3/8"	34 3/8"
SHEN-GL1311-324610	32 3/8"	46 3/8"
SHEN-GL1311-344610	34 3/8"	46 3/8"

Place the assembled **Stationary panel glass (01)** and **Return panel glass (03)** on the shower base, aligned with the model dimension marks on the wall and level the glass vertically.

See Fig. 2 for details.

Note: Make sure the **Glass panels** are plumb.

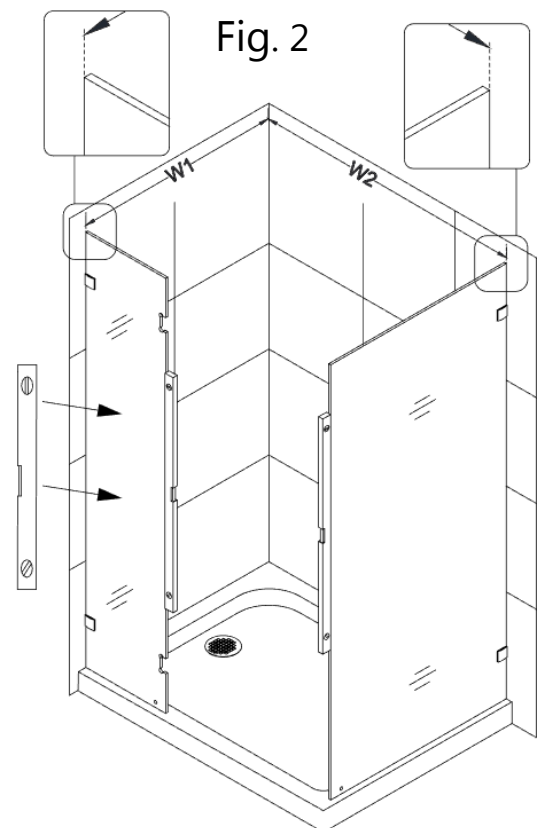


Fig. 2

- The distance between the **Glass panels (01 & 03)** must equal $23\frac{7}{8}$ ". This is the required spacing for the **Door Glass (02)**. Adjust the position of the **Return Panel Glass (03)** as necessary to maintain this $23\frac{7}{8}$ " dimension.

See Fig. 3 for details.

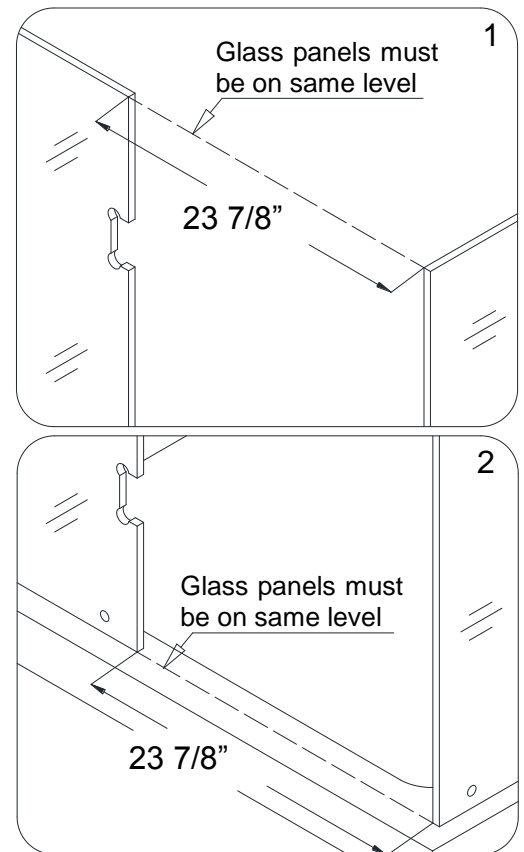


Fig. 3

- Outline the position of the **Wall brackets (14)** on the wall.

Set the **Stationary panel glass (01)** and **Return panel glass (03)** aside.

Remove the **Wall brackets (14)** from the **Glass panels**. Place the bracket base to the outlined position and mark the drilling hole on the wall (Fig 4.2)

Drill the hole in the wall using a $\text{Ø}5/16$ " drill bit and insert the **Wall anchors (07)**.

Fasten the **Wall brackets (14)** to the wall using the **Truss head screws ST4.2×55 (09)**. Repeat the process for all four **Wall Brackets (14)**.

See Fig. 4 for details.

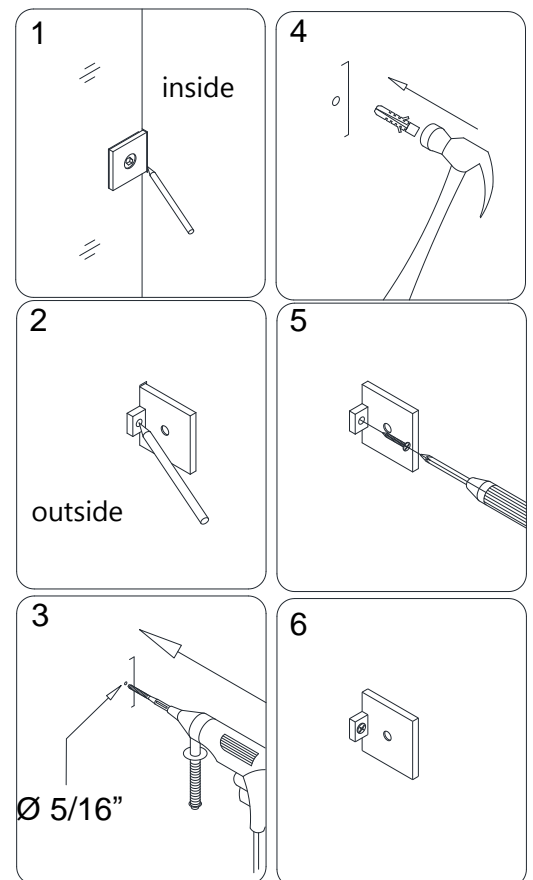


Fig. 4

- Carefully place the **Stationary panel glass (01)** and **Return panel glass (03)** back into the designated position. Assemble the **Wall brackets (14)** and tighten the bolts.

See Fig. 5 for details.

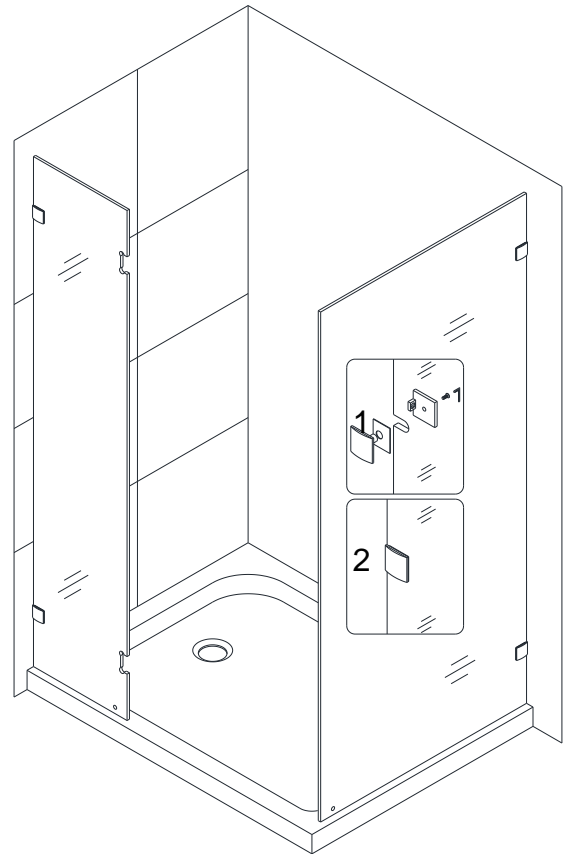


Fig. 5

- Locate the **Support bars (04)**.

Position the support bar brackets on the panel glass and the wall (at a 45deg angle if possible) and level it horizontally. Hold the bracket firmly to the wall and outline the bracket's position on the wall (Fig. 6.1). Remove the **Support bar (04)** and detach the wall bracket. Place the wall bracket against its outlined position on the wall and mark the drilling hole.

Drill the hole using a **Ø5/16"** drill bit, insert the **Wall anchor (07)** and fasten the wall bracket to the wall with the **Countersunk Screw ST4.2×40 (17)**. Attach the **Support bar (04)** to the wall bracket as shown in Fig. 6.5. Use the supplied gasket to protect the glass surface and tighten the set screws to secure the glass.

See Fig. 6 and Fig. 7 for details.

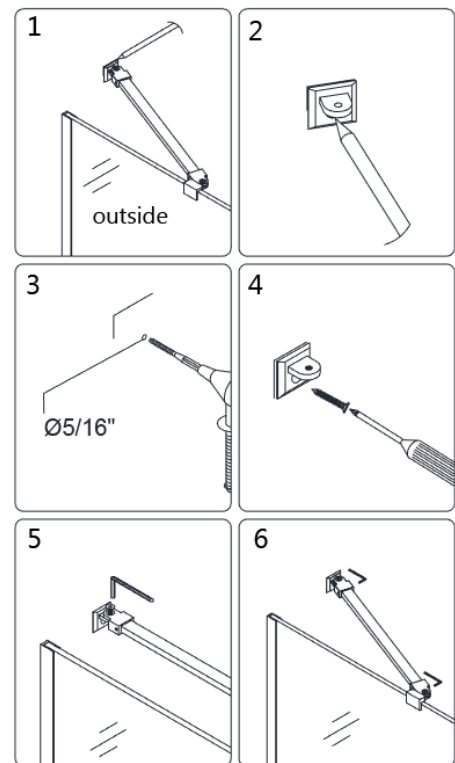


Fig. 6

NOTE: Make sure to use clear rubber gasket to prevent glass to metal

7. Repeat Step #6 to mount the second support bar.

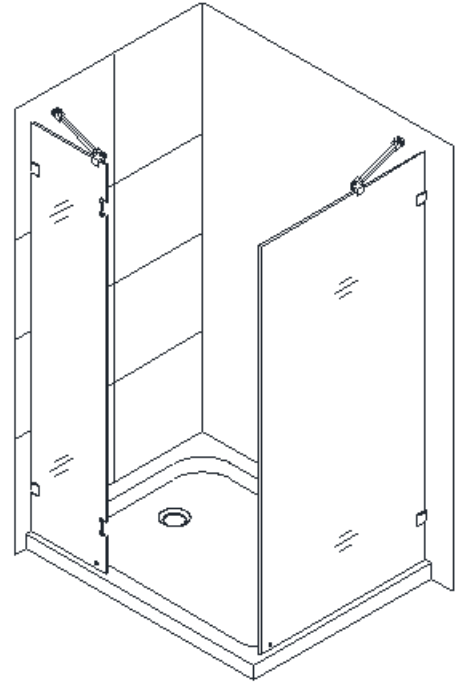


Fig. 7

8. Attach the **Hinges (06)** to the **Stationary panel glass (01)** (with the bolts facing inside the shower). Use at least one gasket per side. Make sure that the hinges are flush to the edge of the glass and level. Carefully bring the **Door Glass (02)** into the shower between the two stationary panels.

Level up the **Door Glass (02)** next to the **Stationary panel (01)** and fasten the hinges onto the **Door Glass (02)**. Make sure the top edges of the **Door Glass (02)** and both **Glass panels** are flush and level.

See Fig. 8 and Fig. 9 for details.

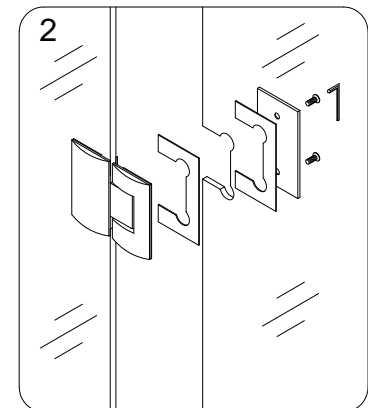
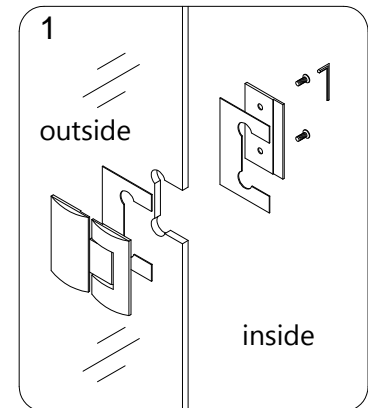


Fig. 8

TIP: Set the door glass upon a pair of shims to make installation onto the hinges easier.

NOTE: DO NOT attach the handle to the door glass until instructed to do so.
DO NOT use the handle to lift the glass during installation.
This may result in damage to the glass and/or serious injury.
Always use an assistant or a professional grade glass suction cup when handling the door glass.

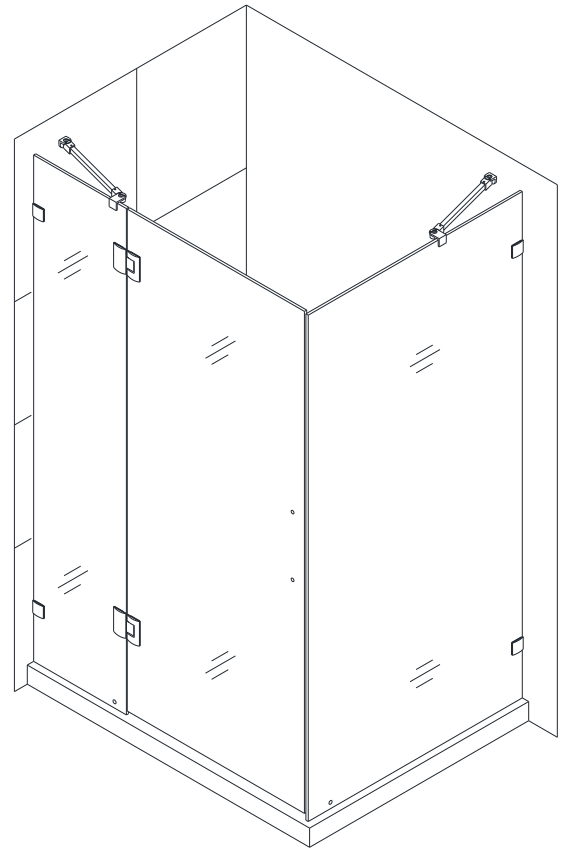


Fig. 9

9. Attach the **Handle (05)** to the **Door Glass (02)**.

Trim the **Bottom anti-water strip (13)** to the width of the door glass and snap it onto the bottom of the **Door Glass (02)** (Fig 10.2).

Attach the **Flanged anti-water strip (11)** to the edge of the return panel glass (Fig 10.3).

See Fig. 10 and 11 for details

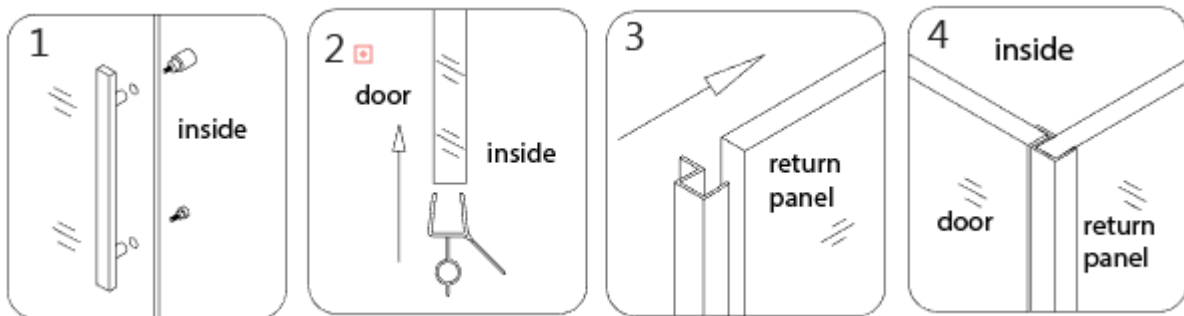


Fig. 10

10. Measure the bottom of the **Door Glass (02)** from end to end to determine the actual width. Using a razor knife, cut the **Bottom anti-water strip (13)** to the size of your measurement and notch $3/8''$ off of the inner side of the **Bottom anti-water strip** as shown in Fig. 11.2. Press the **Bottom Anti-water strip** tightly onto the bottom edge of the **Door Glass (02)**. See Fig. 11 for details

NOTICE:

Make sure the **Bottom anti-water strip** is flush with the vertical edge of the **Handle** side of the **Door Glass (02)**.

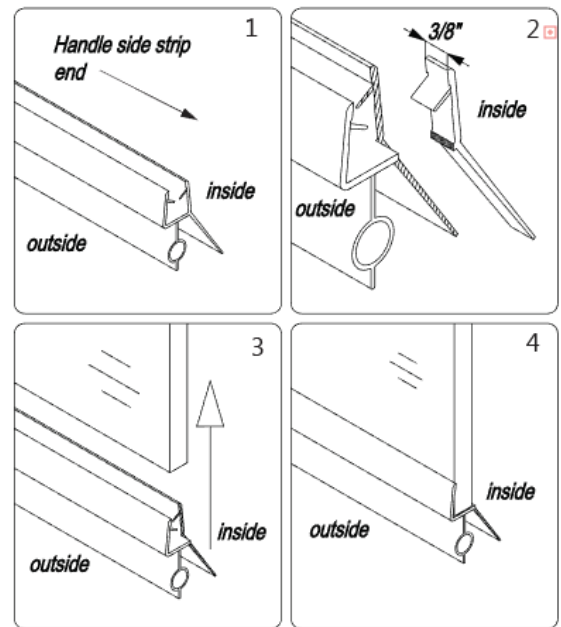


Fig. 11

11. Get three measurements:

- from the top edge of the **Door glass (02)** to the upper body of the top **Hinge (06)** (+) $7/8''$
- from the lower body of the upper **Hinge (06)** to the upper body of the bottom **Hinge (06)** (+) $1-3/4''$
- from the lower body of the bottom **Hinge (06)** to top of the installed **Bottom anti-water strip (13)** (+) $1-7/8''$

Cut the **Side strip (11)** according to the measurements.

Notch the cut strips to be able to slide them into the **Hinge (06)** and around the sweep vinyl to cover the space to the inline panel glass. Press the cut strips onto the vertical edge of the **Door Glass (02)**.

See Fig. 12 for details.

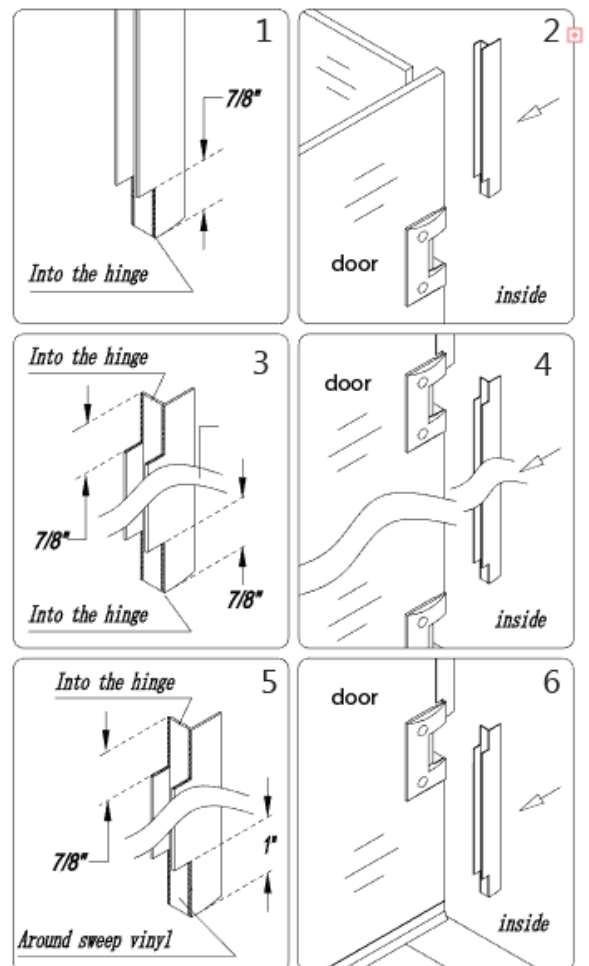
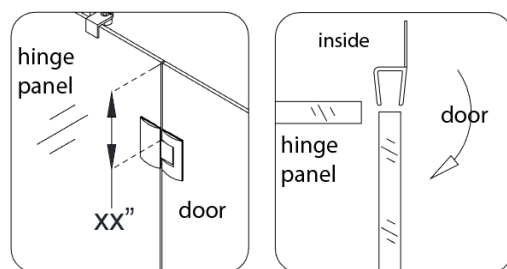


Fig. 12

12. After final adjustment is complete secure both lites of the **Stationary glass**.

Assemble the **Bottom brackets (15)** onto the bottom of the **Stationary glass**.

Drill the holes in the Shower base through the holes in the flange of the **Bottom brackets (15)** using an **Ø 1/8"** drill bit. Fasten the bottom brackets with the **Pan Head screws ST4.2×25 (08)** and washers.

Cover the screw and washer with the **Decorative covers (10)**.

See Fig. 13 for details.

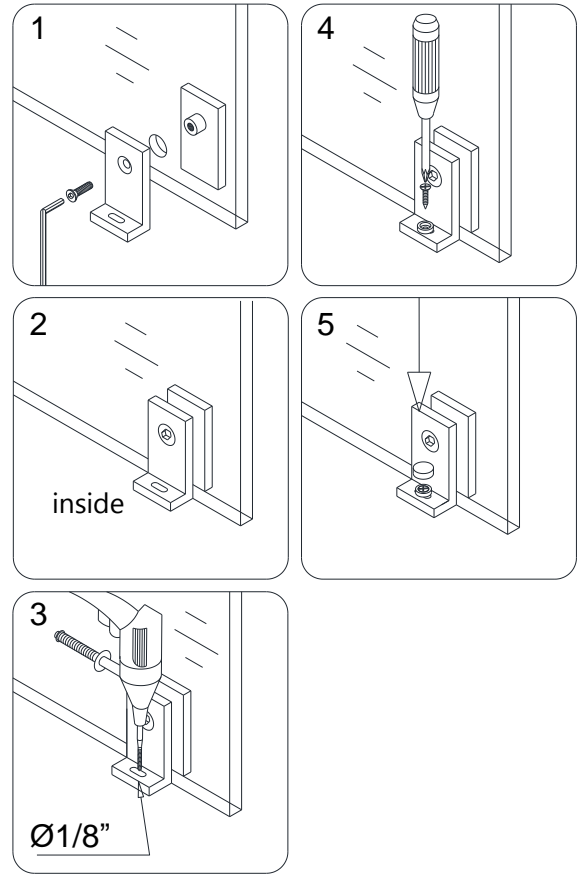


Fig. 13

13. Apply a good quality mildew-resistant silicone along the connection of the stationary glass with the walls and the threshold.

Allow 24 hours for the silicone to fully cure before first use.

See Fig. 14 for details.

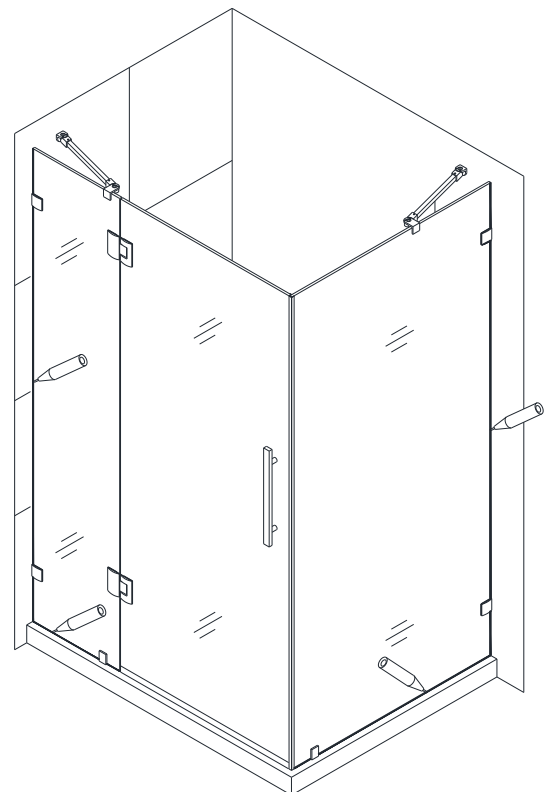


Fig. 14

Product Maintenance

BASES and BACKWALLS: To ensure a long life for your acrylic back walls: wipe them off after each use with a soft cloth. To clean the acrylic back walls use non-abrasive sprays or cream based cleaners. Never use abrasive cleansers, metal brushes or scrapers that could scratch or dull the surface.

GLASS: To ensure long lasting life for your glass shower products: wipe them off after each use with a soft cloth. Rinse and wipe off the glass using either a soft cloth or a squeegee to prevent soap buildup and water spots. To prevent scratching the surface: never use abrasive cleaners and cleaning products that contain scouring agents. Never use bristle brushes or abrasive sponges.

HARDWARE: To ensure a long lasting finish: wipe off the metal parts after each use with a soft cloth. Do not use abrasive cleaners or cleaning products containing ammonia, bleach or acid. If accidentally used, rinse the surface as soon as possible to prevent finish peeling or corrosion. After cleaning the polished finishes, rinse thoroughly and wipe dry with soft cloth. Never use an abrasive sponges or cloth, steel wool or wired brushes as these may permanently scratch the surface.



TEL: [866-731-2244](tel:866-731-2244)

FAX: [866-857-3638](tel:866-857-3638)

DREAMLINE.COM

For more information on [DreamLine® Shower Doors](#) and [Enclosures](#) please visit DreamLine.com