

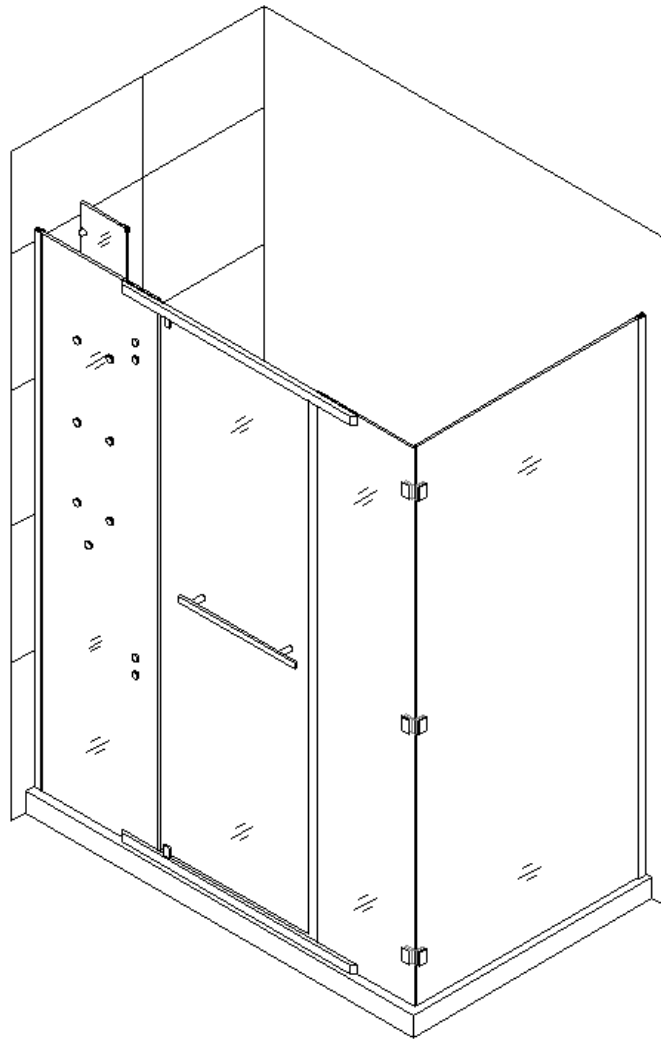


## QUATRA X

### SHOWER ENCLOSURE INSTALLATION INSTRUCTIONS

#### IMPORTANT

DreamLine™ reserves the right to alter, modify or redesign products at any time without prior notice. For the latest up-to-date technical drawings, manuals or any other details please refer to the [support.BathAuthority.com](http://support.BathAuthority.com) web page.



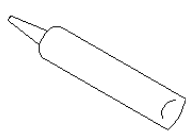
Please read these instructions carefully before installing. If you have any questions regarding installation, please call our technical support specialists Monday through Friday 9:00 AM – 5:00 PM EST at Phone: [1-866-731-2244](tel:1-866-731-2244), Fax: [1-866-227-1533](tel:1-866-227-1533) or e-mail our technical support group at [support@BathAuthority.com](mailto:support@BathAuthority.com).

For more information on [DreamLine™ Shower Doors](http://www.BathAuthority.com) please visit [www.BathAuthority.com](http://www.BathAuthority.com)

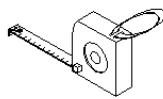
## Preparation

1. After opening all boxes and packages, read this introduction carefully. Check that all of the needed parts are included in the package by marking all the components on the "Detailed Diagram of Shower Door Components". Examine boxes and packages for shipping damage. If the unit has been damaged, has a finishing defect, or has missing parts, please contact our customer support department within 5 business days of the delivery date. Please note that **DreamLine™ will not replace any damaged products or missing parts free of charge after 5 business days or if the product has been installed.** Feel free to contact DreamLine™ if you have any questions.
2. **Please note that you should consult your local building codes with questions on installation compliance standards. Building and plumbing codes may vary by location, and DreamLine is not responsible for code compliance standards for your project and will not accept any returns.**
3. Please ensure that prior to the installation the installation surface is leveled and solid and will be able to support the total weight of the unit. Also make sure the walls are at right angles. Irregular installation surface level or improper angle of side walls will result in serious problems for your installation. Please, note that some adjustments and drilling might be necessary during the installation process.
4. This unit has to be installed against a finished floor and walls.
5. **Please, NOTE! This door has 3/8" out-of-plumb adjustment on each side. Make sure your walls are at right angles.**

## Tools Required



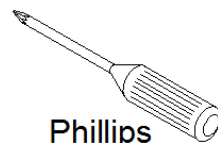
Caulk



Tape Measure



Pencil



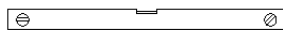
Phillips Screwdriver



Drill bit (D=5/16")



Wood



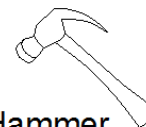
Level



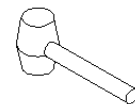
Caulk Gun



Electric Drill

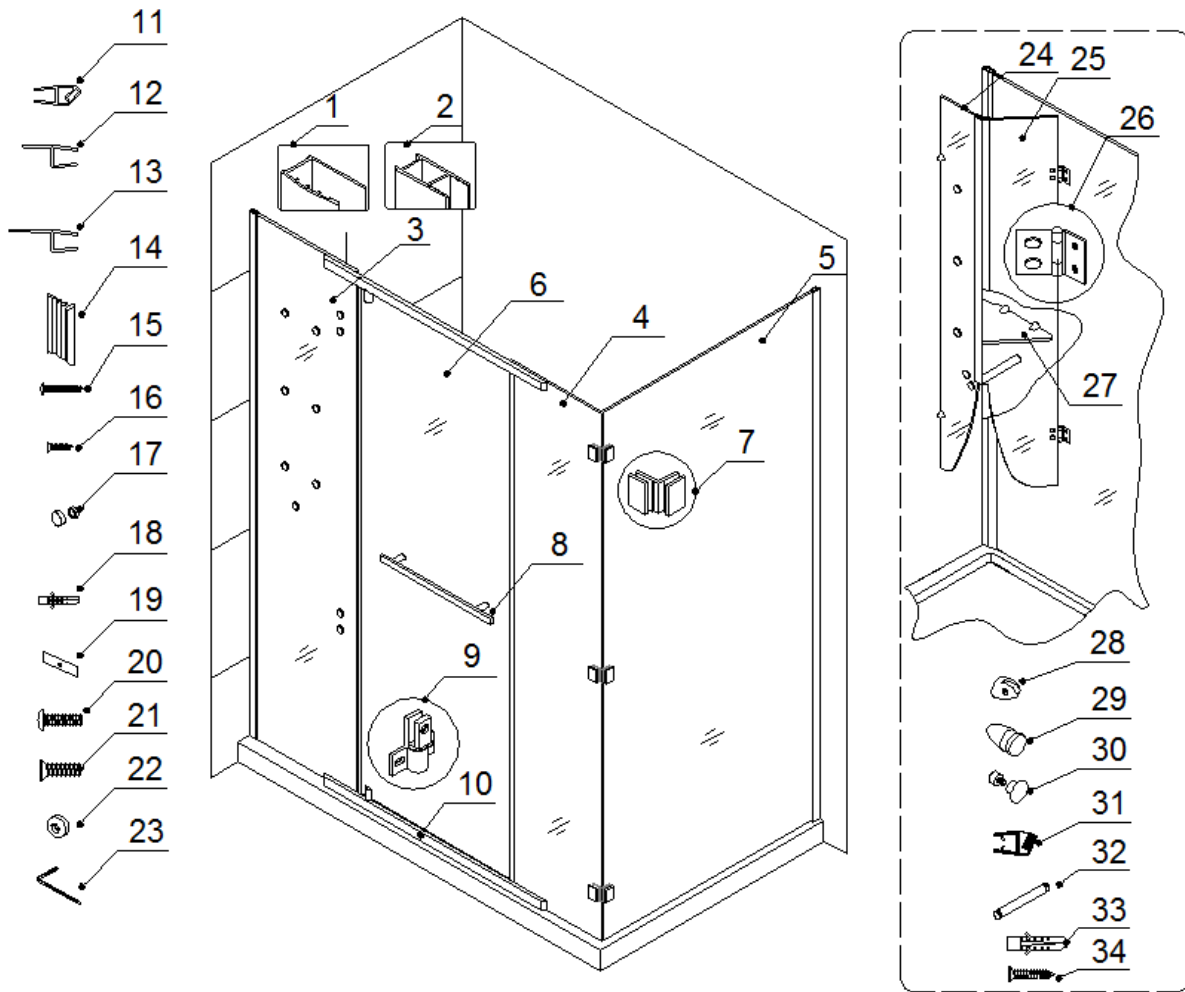


Hammer



Mallet

## Detailed Diagrams of Shower Door Components



### Packing List

01	Wall profile	2pcs	18	Wall anchor	8pcs
02	Glass profile	2pcs	19	Vinyl gasket	4pcs
03	Stationary glass 1	1pc	20	Round head bolt M8×12	4pcs
04	Stationary glass 2	1pc	21	Flat head bolt M8×25	4pcs
05	Return glass panel	1pc	22	Decorative washer	4pcs
06	Glass door	1pc	23	Hex wrench	1pc
07	Glass bracket	3pcs	24	Shelving side panel	1pc
08	Handle	1pc	25	Shelving glass door	1pc
09	Pivot assembly	2pcs	26	Hinge	2pcs
10	Pivot bar	2pcs	27	Glass shelf	3pcs
11	Magnetic strip	1pair	28	Glass bracket (without nut)	2pcs
12	Bottom anti-water strip	1pc	29	Glass bracket (with nut)	9pcs
13	Flanged anti-water strip	1pc	30	Shelving door handle	1pc
14	Single side strip	1pc	31	Magnetic strip (short)	1pair
15	Big head screw ST4.2×40	8pcs	32	Towel bar	1pc
16	Round head screw ST4.2×10	4pcs	33	Wall anchor	2pcs
17	Decorative cover	4pcs	34	Flat head screw ST4.2×40	2pcs

**NOTE:** Unpack your unit carefully and inspect it. Lay it out and identify all parts using parts diagram and part list in your manual as a reference. Before discarding the carton, check for small hardware bags that tend to fall to the bottom of the box. If any parts are damaged or missing, please contact DreamLine™ for replacement.

**NOTE:** Retain these installation instructions for future reference.

## Shower Door Installation

1. Draw the line on the wall according to your Shower Enclosure model size.  
Place the **Wall profiles (01)** onto the Shower base or threshold against the finished wall and level it vertically.

See Fig. 1 for details.

Enclosure assembly measurements:

Model No.	W1	W2
SHEN-1134580-01	33 5/8"	57 5/8"

**Note:** Make sure the **Wall profiles** are absolutely vertical.

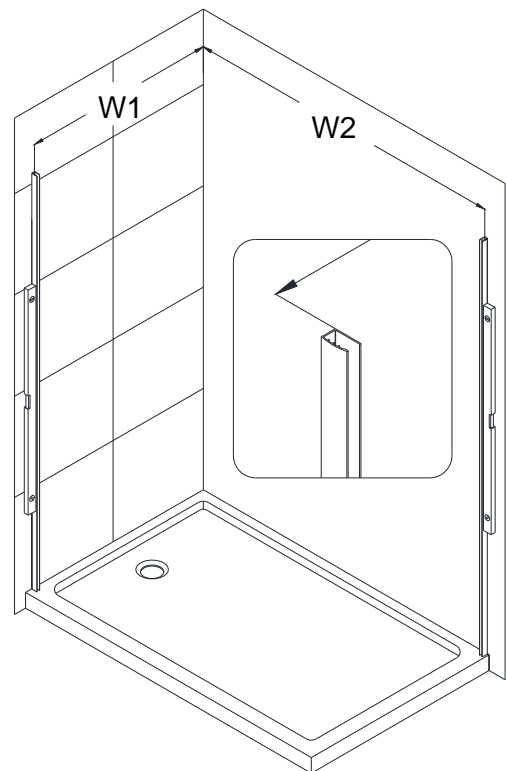


Fig. 1

2. Mark the drilling holes on the wall through the predrilled holes in the **Wall profile (01)** and drill the holes in the wall using  $\text{Ø } 5/16''$  drill bit and insert the **Wall anchor (18)**.  
Run a silicone bead along the holes and around the holes on the wall.  
Attach the **Wall profile** to the wall using **Big head screws ST4.2×40 (15)**.

See Fig. 2 for details.

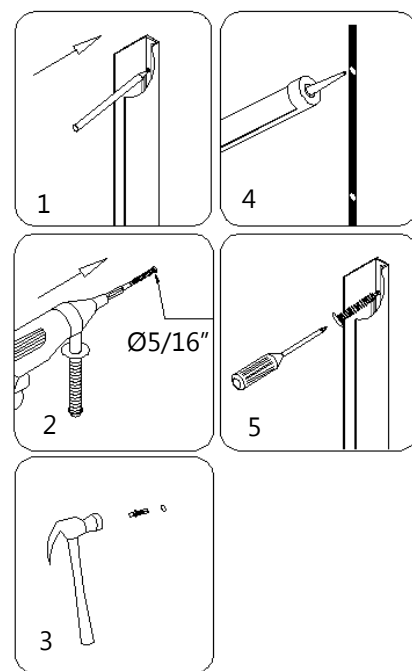


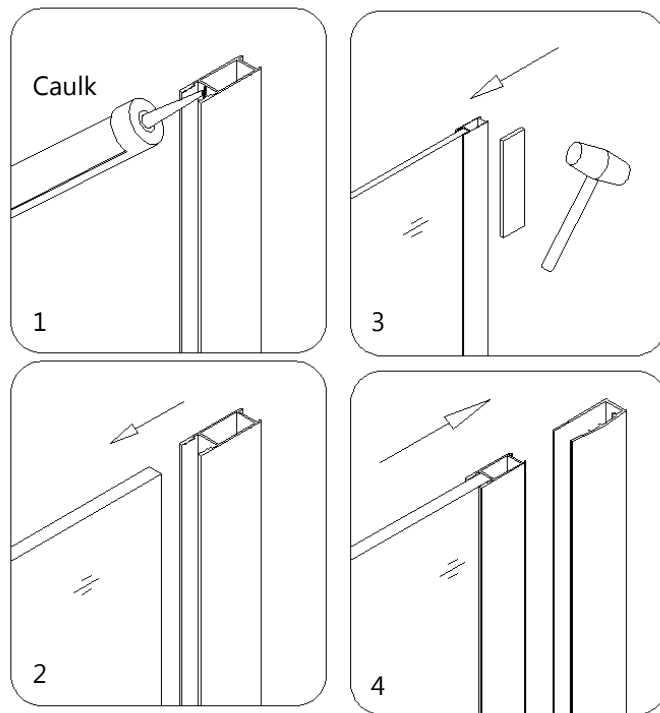
Fig. 2

3. Apply clear silicone along the inner channel of the **Glass profile (02)** and push the **Return glass panel (05)** inside the channel.

Slide the **Return glass panel assembly** into the groove of the **Wall profile (01)**.

**NOTE:** The small holes on the **Return glass panel** should be away from the wall.

**NOTE:** If you have difficulty sliding the Glass profile over the Stationary glass, you can slightly tap on the Glass profile with a rubber mallet and a piece of wood. Please do not strike directly on the profile or on the edge of the glass panel.



See Fig. 3 & Fig. 4 for details.

Fig. 3

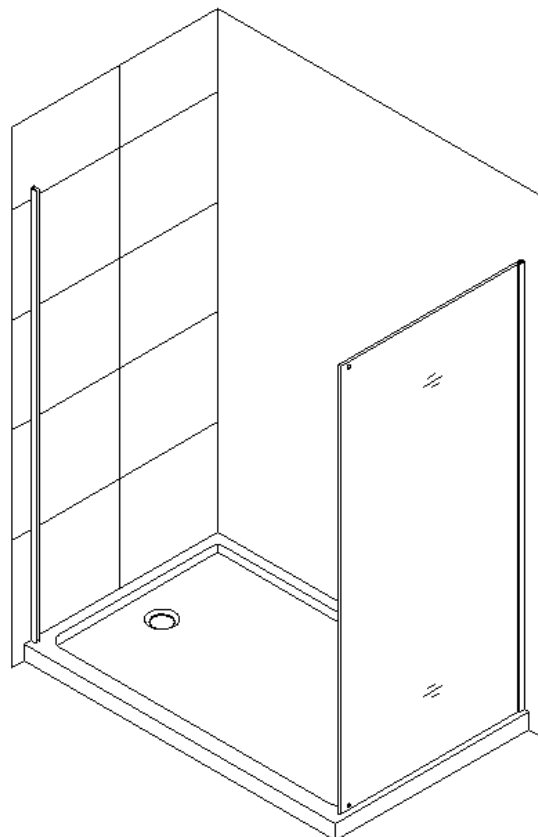


Fig. 4

4. Apply clear silicone along the inner channel of the **Glass profile (02)** and push the **Stationary glass 1 (03)** inside the channel.

Slide the **Stationary glass 1** assembly into the groove of the **Wall profile (01)**.

**NOTE:** The small holes on the corners of **Stationary glass 1** should be away from the wall.

**NOTE:** If you have difficulty sliding the Glass profile over the Stationary glass, you can slightly tap on the Glass profile with a rubber mallet and a piece of wood. Please do not strike directly on the profile or on the edge of the glass panel.

See Fig. 5 & Fig. 6 for details.

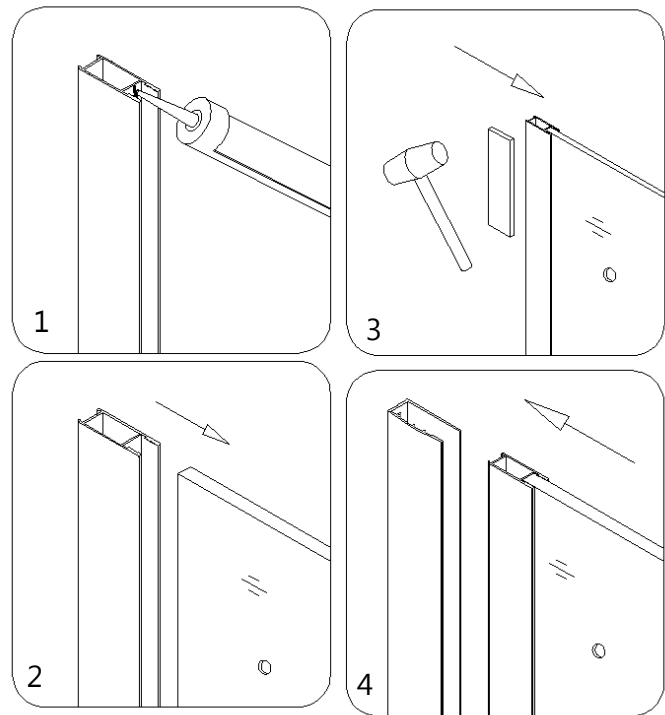


Fig. 5

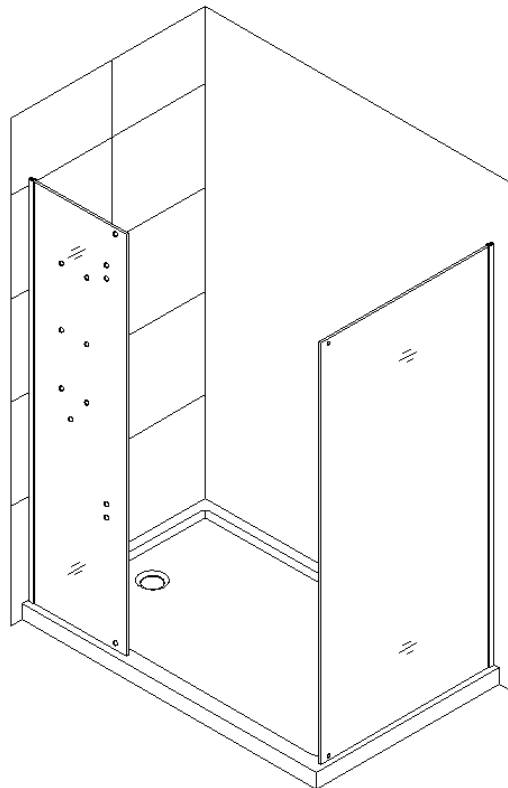


Fig. 6

5. Attach the **Glass brackets (07)** to the **Stationary glass 2 (04)** and the **Return glass panel (05)**. Upper edges of both **Glass panels** should be on the same level. Push on the **Single side strip (14)** between the **Glass panels**.

You can use the Waterproof silicone instead of **Single side strip**.

See Fig. 7 & Fig. 8 for details.

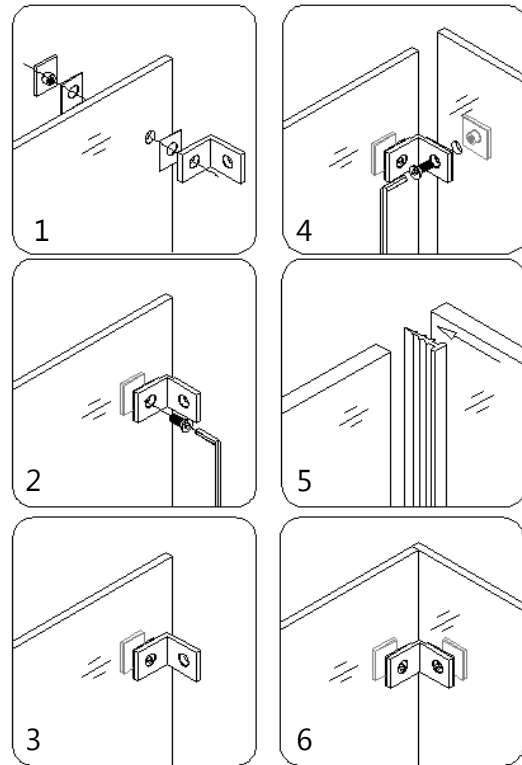


Fig. 7

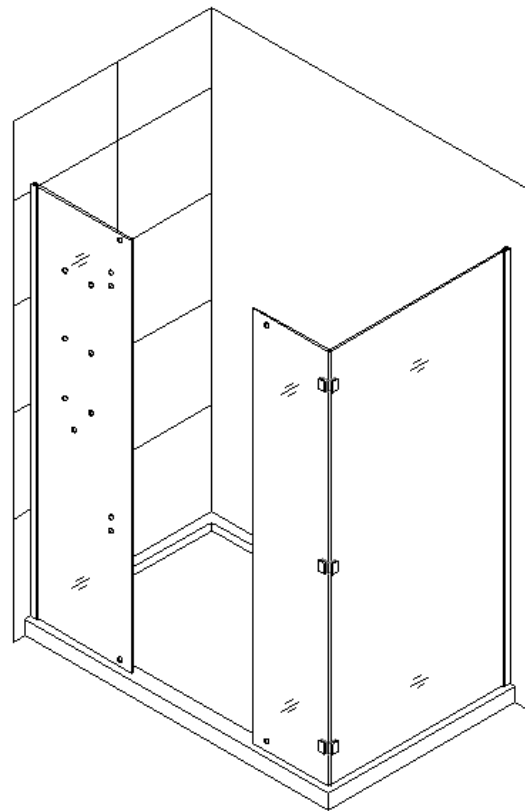


Fig. 8

6. Attach top and bottom **Pivot bars (10)** to the **Stationary glass 1 (03)** and **Stationary glass 2 (04)** using clear **Vinyl gasket (19)**, **Decorative washers (22)** and **Flat head bolts M8×25 (21)**. Place the clear **Vinyl gasket** between the **Pivot bar** and the **Glass panel** to prevent glass to metal connection. Place the **Decorative washer** between the **Flat head bolts M8×25** and the **Glass panels**.

See Fig. 9 for details.

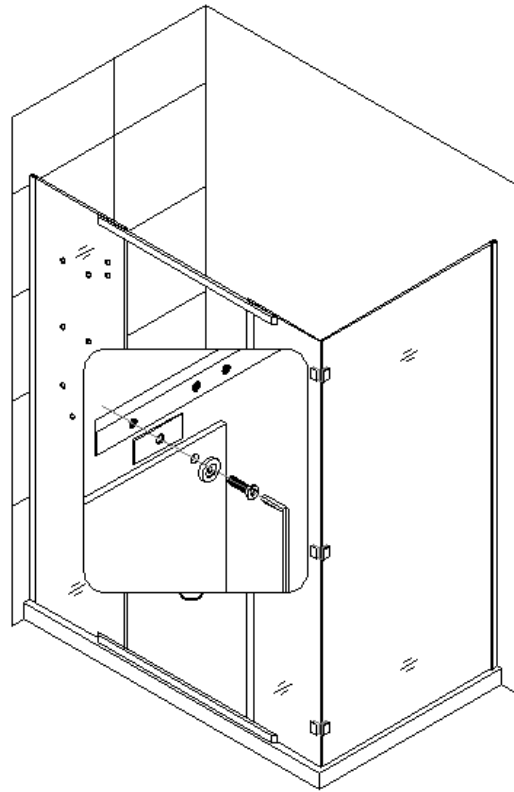


Fig. 9

7. Mount top and bottom **Pivot assemblies (09)** to the **Pivot bars (10)** using **Round head bolts M8×12 (20)**.

See Fig. 10 for details.

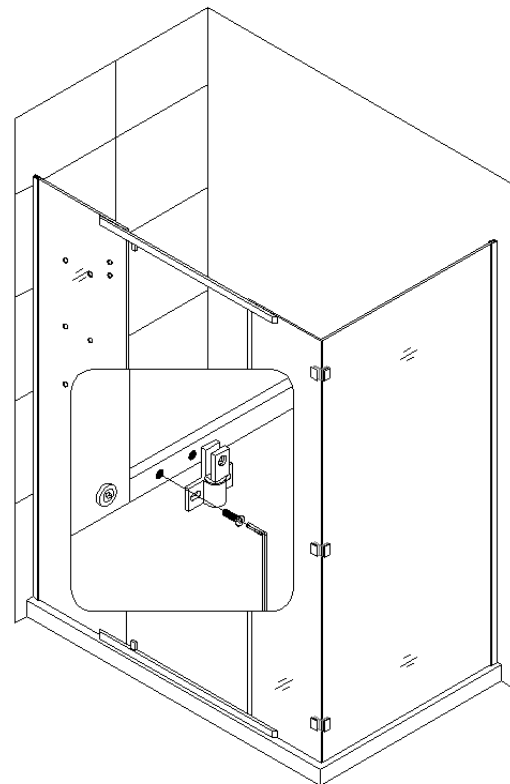


Fig. 10



8. Remove the back fastener from the **Pivot assemblies (09)**. Set the **Glass door (06)** so the holes are aligned. Make sure the rubber gaskets are in between the glass and the metal parts. Secure the back fastener with the provided bolt.

See Fig. 11 for details.

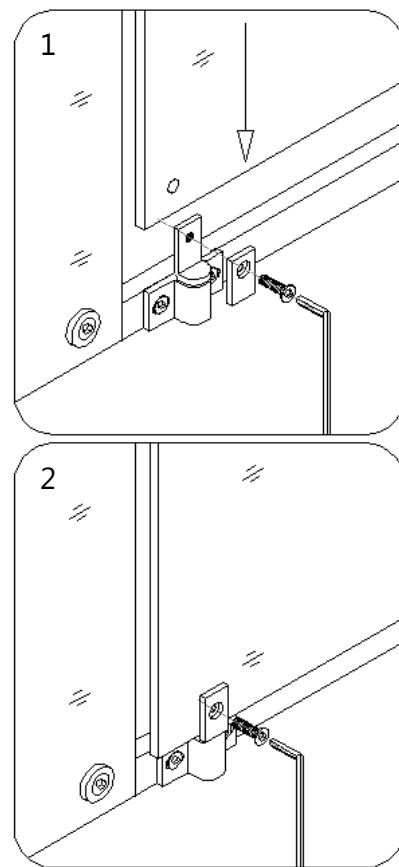


Fig. 11

9. Attach **Magnetic strips (11)** on the **Glass door (06)** and the **Stationary glass 2 (04)**.

Attach **Flanged anti-water strip (13)** on the **Glass door** pivot side and **Bottom anti-water strip (12)** on the **Glass door** bottom edge.

Install **Handle (08)** on the **Glass door**.

See Fig. 12 for details.

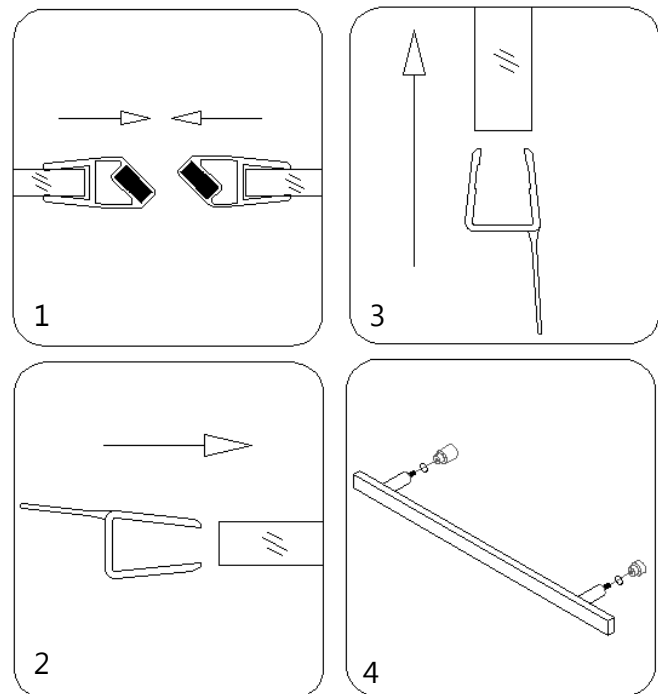


Fig. 12

10. Do the final adjustment of the shower enclosure if necessary and make sure the **Glass door** closes properly.

See Fig. 13 for details.

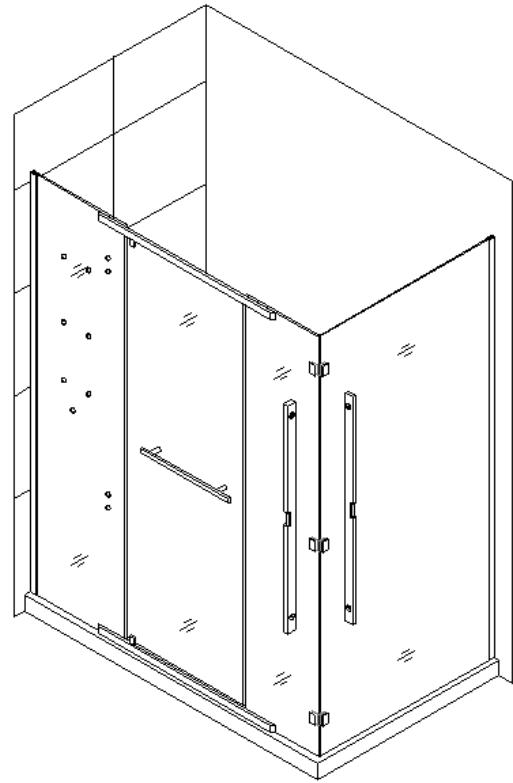


Fig. 13

11. After final adjustments of the shower enclosure, drill the holes, through the predrilled holes in the **Wall profiles (01)** into the first layer of the **Glass profiles (02)** using  $\text{Ø } 1/8''$  drill bit.

Use the **Round head screws ST4.2×10 (16)** to secure the **Glass profiles** inside the **Wall profiles**. Cover the exposed screw head with **Decorative cover (17)**.

See Fig. 14 for details.

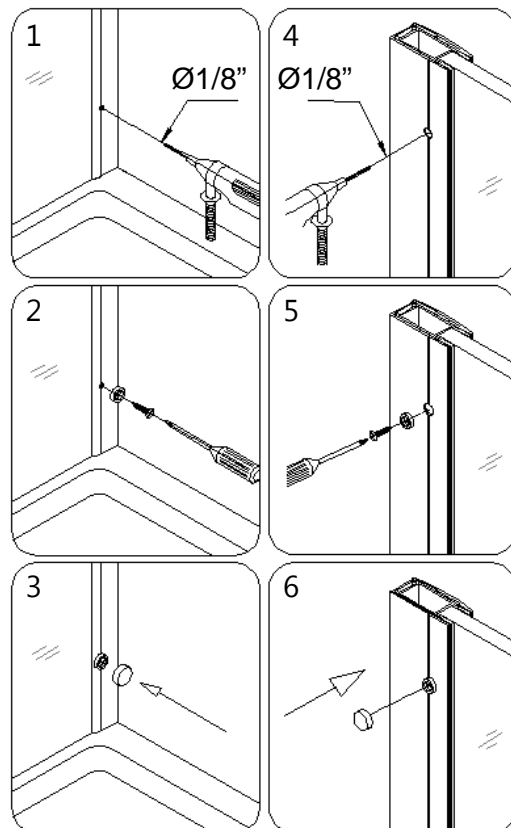


Fig. 14

12. Attach the **Glass brackets (without nut) (28)** to the **Shelving side panel (24)**.

See Fig. 15 for details.

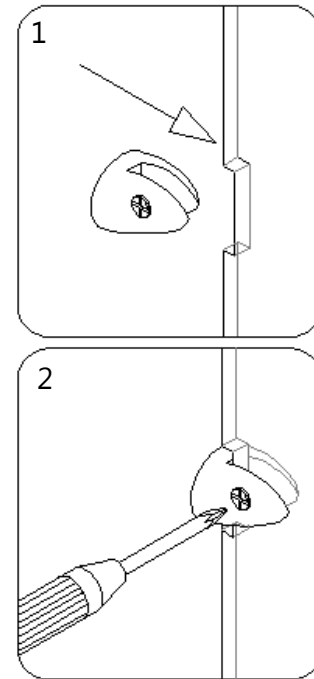


Fig. 15

13. Draw the line on the wall according to the measurement in Fig. 16 for the **Shelving side panel (24)**.

Place the **Shelving side panel** to the line on the wall and adjust the top edges of the **Glass panels** to the same height.

Outline the position of the **Glass brackets (without nut) (28)** on the wall. Remove **Glass brackets (without nut)** from the **Shelving side panel** and by replacing them back to the outlined position, mark the drilling holes on the wall.

See Fig. 16 for details.

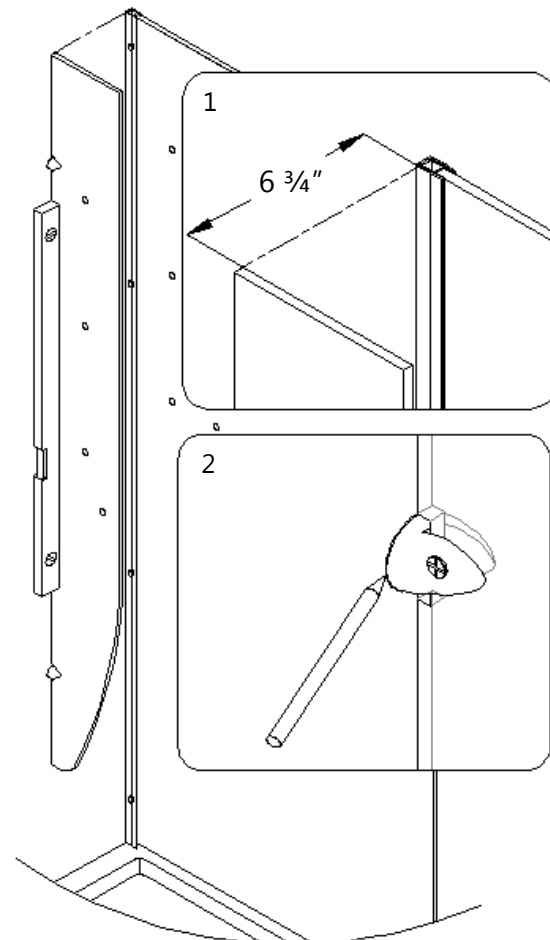


Fig. 16

14. Drill the holes in the wall using  $\text{Ø } 5/16''$  drill bit and insert the **Wall anchor (33)**.

Attach **Glass brackets (without nut) (28)** to the wall using **Flat head screws ST4.2×40 (34)**, slide the **Shelving side panel (24)** into the **Glass brackets** and tighten the set screws.

See Fig. 17 for details.

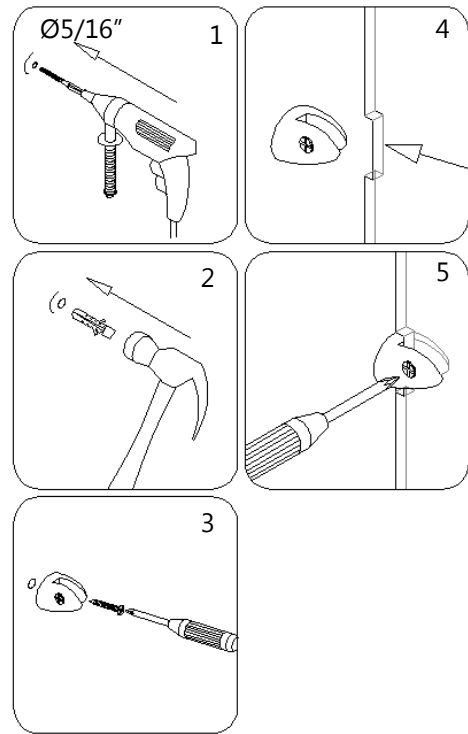


Fig. 17

15. Install the **Glass brackets (with nut) (29)** to the **Stationary glass 1 (03)** and the **Shelving side panel (24)**.

Install the **Glass shelves (27)** to the **Glass brackets (with nut)** and tighten the set screws.

Install the **Towel bar (32)** between the **Glass panels**

See Fig. 18 and Fig. 19 for details.

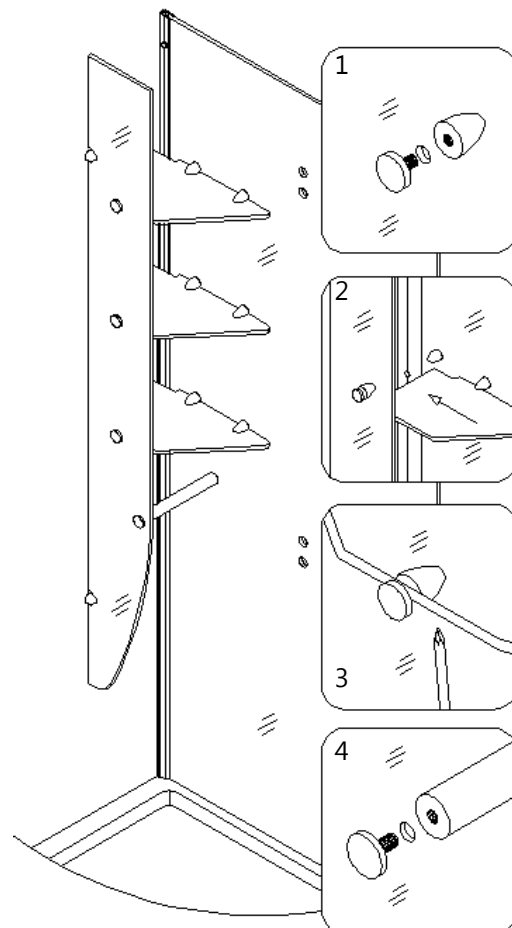


Fig. 18

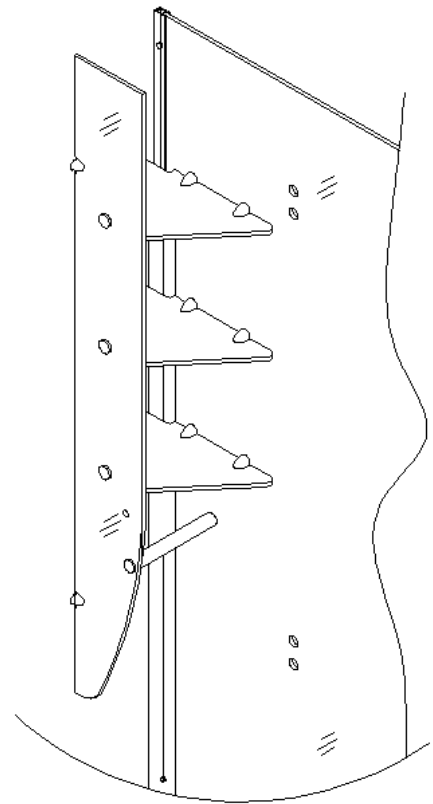


Fig. 19

16. Attach **Hinges (26)** to the **Stationary glass 1 (03)** and the **Shelving glass door (25)**.

Install the **Shelving door handle (30)** to the **Shelving glass door**. Push on the **Magnetic strips (short) (31)** on the **Shelving side panel (24)** and the **Shelving glass door**.

See Fig. 20 and Fig. 21 for details.

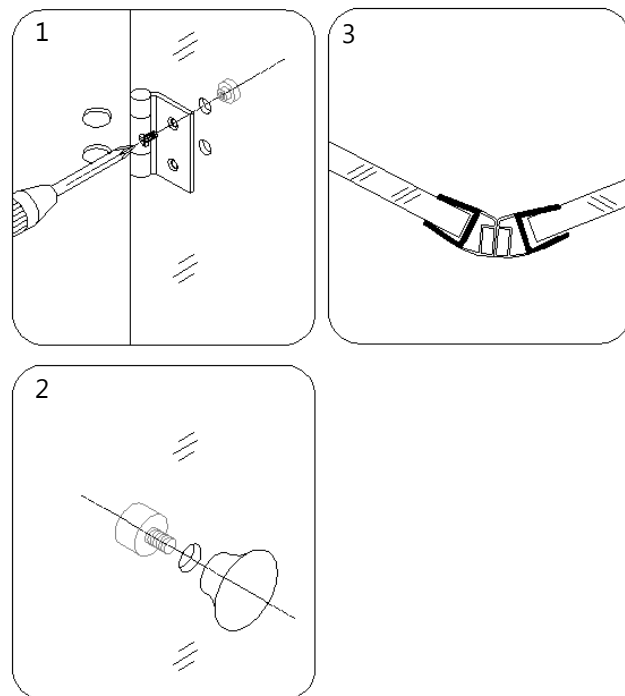


Fig. 20

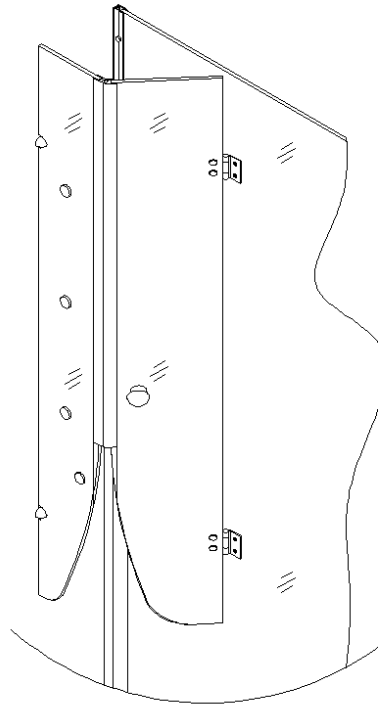


Fig. 21

17. Apply a bead of Kitchen & Bath Waterproof silicone along the bottom edges of the glass panels and Pivot bar to the shower base connection.

See Fig. 22 for details.

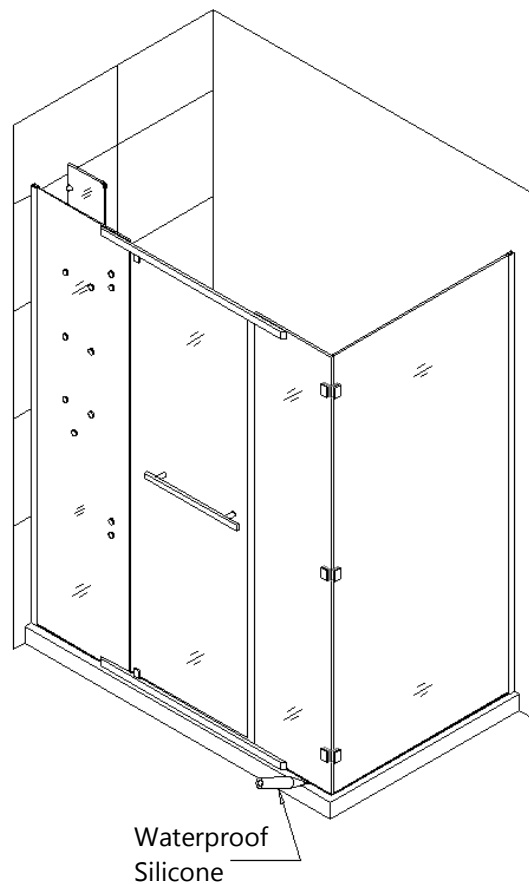


Fig. 22

## **Maintenance**

To insure long lasting life for your acrylic back walls, wipe them off after each use with a soft cloth. To clean the acrylic back walls use non-abrasive sprays or cream based cleaners. Never use abrasive cleansers, metal brushes or scrapers that could scratch or dull the surface.

To insure long lasting life for your glass shower products, wipe them off after each use with a soft cloth. Rinse and wipe of the glass using either soft cloth or squeegee to prevent soap buildup. Never use abrasive cleaners and cleaning products that contain scoring agent because this may scratch the surface. Never use bristle brushes or abrasive sponges.

To assure a long lasting finish wipe off the metal parts after each use with a soft cloth. Do not use abrasive cleaners or cleaning products containing ammonia, bleach or acid. If accidentally used, rinse the surface as soon as possible to prevent finish peeling or corrosion. After cleaning the shiny finishes, rinse thoroughly and wipe dry with soft cloth. Clean stainless steel surfaces at least once a week. When applying stainless steel cleaner or polish, work with (not across) the grain. Never use abrasive sponge or cloth, steel wool or wired brushes.

## DREAMLINE™ EXCLUSIVE LIMITED WARRANTY AS OF MAY 6, 2013

This warranty extends only to the original owner/end-user for household use only and is not transferable to a subsequent owner. This warranty extends for a designated period of time, so long as it remains in use in its original place of installation. This warranty applies only to DreamLine products purchased from an authorized dealer in United States or Canada. Proof of purchase (original sales receipt) from the original consumer purchase must be provided with all warranty claims.

**IN NO EVENT SHALL THE LIABILITY OF DREAMLINE EXCEED THE PURCHASE PRICE OF THE UNIT.**

DreamLine products must be installed by a fully insured and licensed professional. Installation of DreamLine product by anyone other than fully insured licensed professionals shall **VOID THE WARRANTY**. DreamLine recommends that such licensed professionals have experience in the installation of bathroom products. Installation of certain products, including, without limitation, glass products (i.e., shower and tub doors) by an inexperienced installer may result in glass breakage and, consequently, cause personal injury or death.

### PARTS ONLY WARRANTY

This warranty is extensive in that it covers replacement of all defects. LABOR CHARGES AND/OR DAMAGE INCURRED IN INSTALLATION, REPAIR, OR REPLACEMENT, AS WELL AS ANY OTHER KIND OF LOSS OR DAMAGE ARE EXCLUDED

### COMMERCIAL USE AND OTHER EXCLUSIONS

This warranty excludes all industrial, commercial and business usage, whose purchasers are hereby extended a one (1) year limited warranty from the date of purchase for shower and tub doors, a three (3) month limited warranty from the date of purchase for vanities and sinks, with all other terms of this warranty applying except the duration of the warranty.

DREAMLINE JETTED AND STEAM SHOWER CABINS, DREAMLINE SHOWER COLUMNS AND DREAMLINE SHOWER SEATS ARE NOT INTENDED FOR COMMERCIAL USE AND THERE IS NO WARRANTY EXTENDED FOR THESE PRODUCTS FOR COMMERCIAL USE.

DreamLine hereby disclaims all warranties for products sold as dealer or store displays. DreamLine hereby disclaims all warranties for products used outside of the United States or Canada whether expressed or implied, including but not limited to the implied warranties of merchantability and fitness for a particular purpose.

### WARRANTY TERMS

DreamLine will, at its election, repair or replace the product found by DreamLine in its sole judgment, to be defective within the warranty period under normal residential use and maintenance. The replacement of a product is limited to supplying a replacement product or part (same as existing or if not available, comparable product). DreamLine warranty obligation shall be discharged upon tender of parts, replacement or repair of the product. Purchaser's refusal to accept the tender terminates all warranty obligations and **VOIDS THE WARRANTY**. Cost of freight for returning products to DreamLine for repairs or replacement under this limited warranty are the responsibility of the customer. Cost of freight associated with shipping of replacement product or parts to the customer may be charged to customer. Any product replaced or repaired during the warranty period will be covered only for the remaining period of the original warranty. In no event will DreamLine be liable for costs of repair or replacement of any installation material, including but not limited to tiles, marble, etc.

**DREAMLINE IS NOT RESPONSIBLE FOR INSTALLATION, REMOVAL OR REINSTALLATION COSTS OF ANY PRODUCT REQUIRING WARRANTY SERVICES.**

Any modification or alteration of any DreamLine products will void the warranty. DreamLine product installations and repairs must be performed by either a DreamLine authorized agent or a licensed, insured and experienced professional contractor - installation or repairs performed by any other party shall void the warranty. This warranty shall not apply to breakage or damages caused by normal wear and tear, fault, carelessness, abuse, misuse, misapplication, improper maintenance, alteration or modification of the unit, as well as chemical or natural corrosion, accident, fire, flood, act of God or any other casualty. Improper care and cleaning will void the warranty. Use of cleaners containing abrasive cleansers, ammonia, bleach, acids, waxes, alcohol, solvents or other products not recommended for chrome or similar finish, glass or acrylic will void the warranty. For additional product maintenance instructions please refer to product installation manual. DreamLine is not responsible for any issues arising in connection with errors or omissions in information provided on DreamLine's websites. The warranty does not extend to any non-DreamLine plumbing or components installed by installers, end users or by any party other than DreamLine.

**THE FOREGOING WARRANTIES ARE IN LIEU OF ALL OTHER WARRANTIES, EXPRESSED OR IMPLIED, INCLUDING BUT NOT LIMITED TO THE IMPLIED WARRANTIES OF MERCHANTABILITY AND FITNESS FOR A PARTICULAR PURPOSE. BATH AUTHORITY LLC ("DREAMLINE") AND/OR SELLER DISCLAIMS ALL LIABILITY FOR SPECIAL, INCIDENTAL OR CONSEQUENTIAL DAMAGES. DREAMLINE IS NOT LIABLE FOR PERSONAL INJURIES OR DEATH TO ANY PERSON OR FOR ANY DIRECT, SPECIAL, INCIDENTAL OR CONSEQUENTIAL DAMAGE, LOSS OF USE, LOSS OF TIME, LOSS OF PROFITS, INCONVENIENCE, INCIDENTAL EXPENSES, LABOR OR MATERIAL CHARGES, OR ANY OTHER COSTS RESULTING FROM THE USE OF ITS PRODUCTS OR PERTAINING TO THE APPLICATION OF THE PRESENT WARRANTY, OR RESULTING FROM THE REMOVAL OR REPLACEMENT OF ANY PRODUCT OR ELEMENT OR PART COVERED BY THIS WARRANTY.**

### PRODUCT WARRANTY PERIODS

DreamLine is not responsible for product code compliance or for verifying building code restrictions on installation or use and any such compliance is excluded from this warranty. DreamLine reserves the right to modify this warranty at any time - such warranty modifications will not alter the warranty applicable at the time of sale of the products in question. The warranty terms for specific products for consumer (non-industrial, non-commercial, non-business use only) are:

#### SHOWER BACKWALL, SHOWER CABINS (JETTED & STEAM)

DreamLine warrants shower backwalls and shower cabins to be free from defects in workmanship for a period of one (1) year from initial date of purchase by the owner/end-user, contractor or builder from an authorized dealer.

#### SHOWER & TUB DOORS, SHOWER ENCLOSURES

DreamLine warrants shower doors, tub doors and shower enclosures to be free from defects in workmanship and materials under normal residential use for a period of five (5) years from the initial date of purchase by the owner/end-user, contractor or builder from an authorized dealer. Warranty for plastic strips shall be limited to one (1) year. Warranty for any part in Oil Rubbed Bronze finish shall be limited to one (1) year.

#### SHOWER BASES

DreamLine warrants shower bases to be free from defects in workmanship and materials under normal residential use for as long as the original consumer purchaser owns their home in which their product is installed.

#### SHOWER COLUMNS

DreamLine warrants shower columns to be free from defects in workmanship and materials under normal residential use for a period of one (1) year from the initial date of purchase by the owner/end-user, contractor or builder from an authorized dealer.

#### SHOWER SEATS

DreamLine warrants shower seats to be free from defects in workmanship and materials under normal residential use for a period of one (1) year from the initial date of purchase by the owner/end-user, contractor or builder from an authorized dealer. Warranty shall be VOID if the shower seat is not professionally installed on a properly reinforced wall.

#### VANITIES AND VESSEL SINKS

DreamLine warrants bathroom vanities and vessel sinks to be free from defects in workmanship and materials under normal residential use for a period of one (1) year from the initial date of purchase by the owner/end-user, contractor or builder from an authorized dealer.

#### STATE LAWS AND THIS WARRANTY

Some states/provinces do not allow limitations on how long an implied warranty lasts, or the exclusion or limitation of special, incidental or consequential damages, so these limitations and exclusions may not apply to you. This warranty gives you specific legal rights. You may also have other rights, which vary from state/province to state/province.

### WARRANTY SERVICE

The following information will be required for you to file a Warranty claim:

1. Your name, address and telephone number
2. Product model number
3. Brief description of problem (please note that additional information such as photos may be required to fully process your warranty claim)
4. Proof of purchase

You may submit this information by e-mail, mail or fax to:

DreamLine  
Warranty Service Center  
75 Hawk Road  
Warminster, PA 18974  
F:1-866-857-3638  
T:1-866-731-2244  
Warranty@bathauthority.com





---

TEL: [866-731-2244](tel:866-731-2244)

FAX: [866-227-1533](tel:866-227-1533)

[WWW.BATHAUTHORITY.COM](http://www.BATHAUTHORITY.COM)

For more information on [DreamLine™ Shower Enclosures](http://www.BathAuthority.com) please visit [www.BathAuthority.com](http://www.BathAuthority.com)