

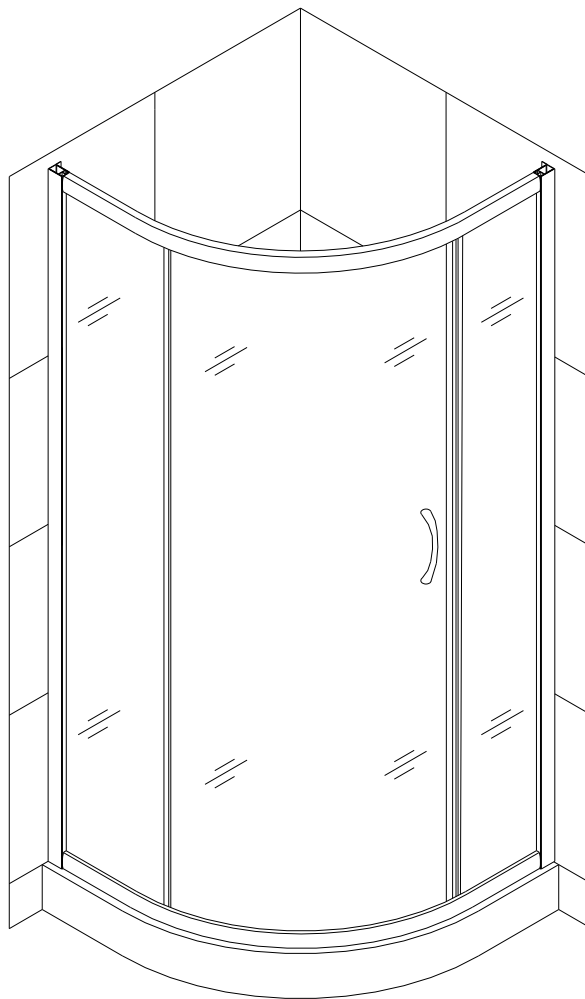


## SOLO

### SHOWER ENCLOSURE INSTALLATION INSTRUCTIONS

#### IMPORTANT

DreamLine® reserves the right to alter, modify or redesign products at any time without prior notice. For the latest up-to-date technical drawings, manuals or any other details please refer to your model's web page on [DreamLine.com](http://DreamLine.com)



*Left hand installation shown*

#### Model #s

- SHEN-7231310-01
- SHEN-7231310-01 -FR
- SHEN-7234340-01
- SHEN-7234340-01 -FR
- SHEN-7236360-01
- SHEN-7236360-01 -FR

01= Chrome  
FR= Frosted Glass

**Please read these instructions carefully before installing. If you have any questions regarding installation, please contact our technical support specialists Monday through Friday 8:00 AM – 7:00 PM EST at Phone: 1-866-731-2244, Fax: 1-866-857-3638 or e-mail our technical support group at [Support@DreamLine.com](mailto:Support@DreamLine.com)**

**For more information about DreamLine® products please visit [www.DreamLine.com](http://www.DreamLine.com)**

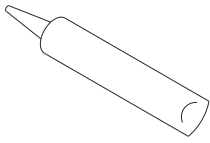
## Preparation

1. Prior to installation, examine all boxes and packages for shipping damage and compare the piece count with your packing slip. After opening all boxes and packages read this introduction carefully. Check that all of the needed parts are included in the package by checking off the components on the "Detailed Diagram of Shower Door Components". If the unit has been damaged, has a finishing defect, or has missing parts, please contact our customer support department within **3 business days** of the delivery date. Please note that **DreamLine® will not replace any damaged products or missing parts free of charge after 3 business days or if the product has been installed.** Feel free to contact DreamLine® if you have any questions, and please provide an order number, job name or other proof of purchase to help us identify your original order.
2. **Please note that you should consult your local building codes with questions about installation compliance standards. Building and plumbing codes may vary by location, and DreamLine® is not responsible for code compliance standards for your project and will not accept any returns.**
3. If this unit is going to be installed in a new construction, please install all of the required plumbing and drainage before installing the shower. **Use a competent and licensed (if required by local code) plumber for all plumbing installation.**
4. Please make sure that prior to beginning the installation, the surfaces are leveled and solid and will be able to support the total weight of the unit. Also make sure the walls are at right angles. Irregular installation surface level, radius corners or improper angle of side walls will result in serious problems for your installation. Please, note that some adjustments and drilling may be necessary during the installation process.
5. Please protect all primary surfaces of the product during installation. Never set your glass down directly onto a tile floor. Leave corner protectors in place until necessary to remove them. Always use a piece of wood or cardboard to protect the bottom edge and corners of the glass prior to and during installation.
6. This unit must be installed upon a finished threshold and against finished walls.
7. **This model has 1" of adjustment for out-of-plumb wall conditions within the wall profiles.**

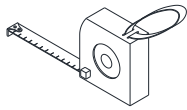
**NOTE: DO NOT** install the handles onto the door glass until instructed to do so. **DO NOT** lift the glass using the handles. This could result in damage to the glass and /or serious personal injury.

**NOTE:** For models with Frosted glass, install the textured surface towards the inside of the shower

## Tools Required



Caulk



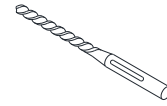
Tape Measure



Pencil



Phillips Screwdriver



Drill bit  
(Ø=5/16")



Drill bit  
(Ø=1/8")



Level



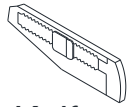
Caulk Gun



Electric Drill

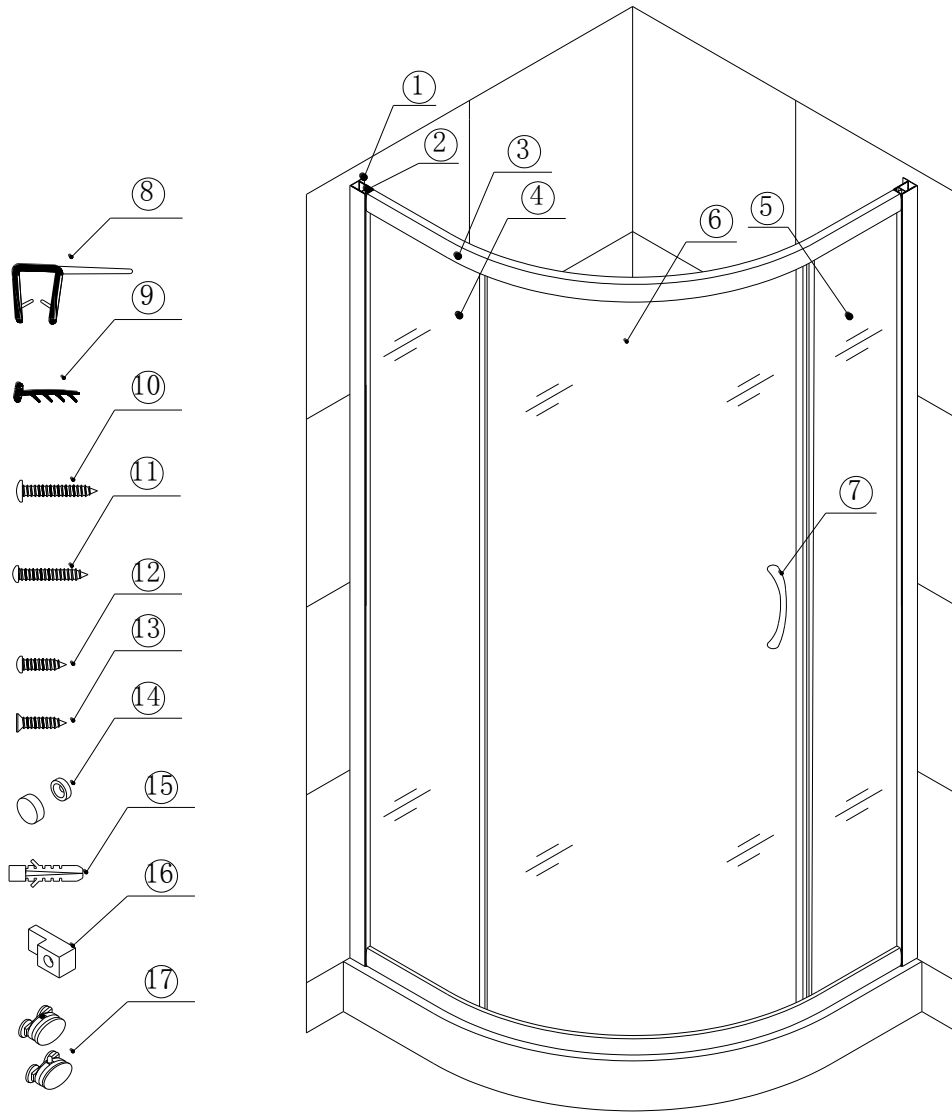


Hammer



Knife

## Detailed Diagram of Shower Enclosure Components



### Packing List

01	Wall profile	2pcs	10	Round head screw ST4.2x40	8pcs
02	Glass profile	2pcs	11	Round head screw ST4.2x25	8pcs
03	Guide rail	2pcs	12	Round head screw ST4.2x10	4pcs
04	Stationary glass 1	1pc	13	Flat head screw ST4.2x16	4pcs
05	Stationary glass 2	1pc	14	Decorative cover	4pcs
06	Glass door	1pc	15	Wall anchor	8pcs
07	Handle	1pair	16	Glass holder	4pcs
08	Anti-water strip (1 long, 2 short)	3pcs	17	Wheel assembly	2pairs
09	Single side strip	2pcs			

**NOTE:** Unpack your unit carefully and inspect it. Lay it out and identify all parts using the detailed diagram and packing list in this manual as a reference. Before discarding the carton, check for small hardware bags that may have fallen to the bottom of the box. If any parts are damaged or missing, please contact DreamLine® for replacement. The shipping boxes may contain extra parts not used in your model configuration.

**NOTE:** Retain these installation instructions for future reference.

## Shower Enclosure Installation

1. Fasten the bottom **Guide rail (03)** to the **Glass profiles (02)** with the **Round head screws ST4.2x25 (11)**.

See Fig. 1 for details.

**TIP:** Apply a small amount of wax or liquid soap to the screws to make installation easier and to prevent stripping the screws while screwing the Glass profiles (02) to the Guide rails (03).

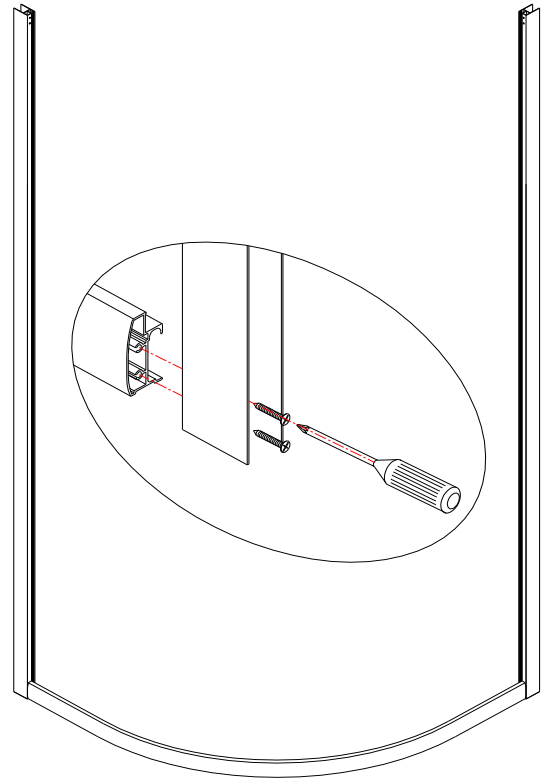


Fig. 1

2. Slide the **Stationary glass 1 (04)** and **Stationary glass 2 (05)** fully into the groove of the **Glass profiles (02)**, and then fasten it with the **Glass holders (16)** to the bottom **Guide rail (03)** using the **Flat Head ST4.2 x 16 screws (13)**.

See Fig. 2 for details.

**TIP:** Apply a thin bead of silicone to the bottom rail when setting the glass in place.

**NOTE:** This model is reversible for left or right hand installation. This manual will show the left hand installation (door slides to the left). For a right hand installation, orient the top and bottom guide rails (03) to install the larger stationary glass 1 (04) on the right. The pre-installed roller stoppers (in the top and bottom guide rails) are closer to the end where the larger panel glass will be installed.

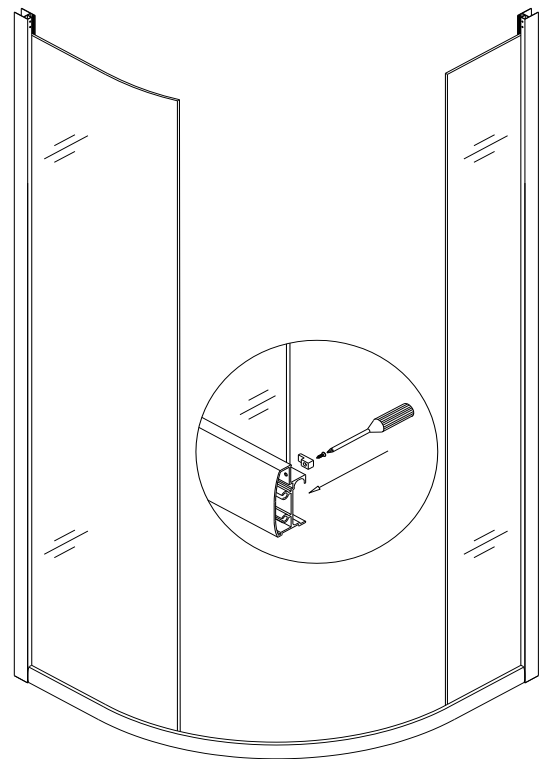


Fig. 2

- Repeat Step #1 and Step #2 to fasten the upper **Guide rail (03)** to the **Glass profiles (02)** and secure the **Stationary glass** with the **Glass holders (16)**.

See Fig. 1 and Fig. 2 for details.

- Insert the **Single side strips (09)** in-between the **Stationary glass (05)** and the **Glass profiles (02)** using a wooden shim or plastic blade. The strips should be inserted from the side that will face inside the shower.

**ATTENTION:**

**Do not use a screwdriver or other metal objects to push in the strips to prevent scratching or damaging the glass and aluminum.**

See Fig. 3 for details.

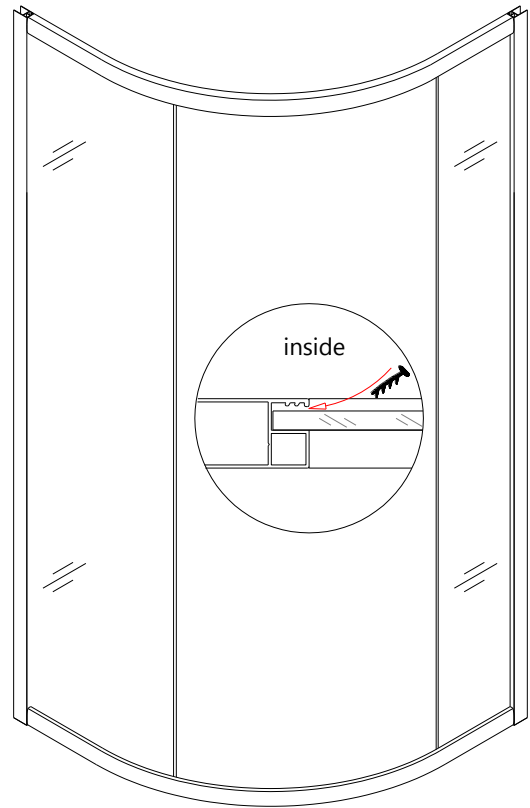


Fig. 3

- Slide the **Wall profiles (01)** all the way onto the **Glass profiles (02)** on both sides. Make sure the flanges of the **Wall profiles (01)** face inside the shower.

See Fig. 4 for details.

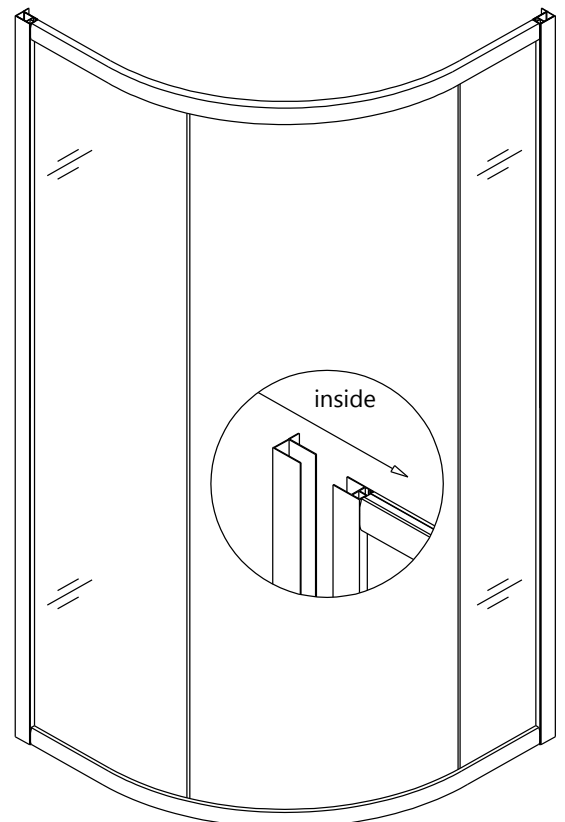


Fig. 4

6. Move the finished frame to the designated position on the shower base or the threshold and push it tight against the walls. If the walls are out-of-plumb, make adjustments by slightly pulling the **Wall profiles (01)** out of the **Glass Profiles (02)**.

Use a level to adjust the frame into a plumb, vertical position on both walls.

See Fig. 5 for details.

**NOTE:** The installed unit may not sit perfectly centered on the threshold, depending on the thickness of the finished wall treatment used. You may adjust the enclosure position outward slightly by extending the wall profiles.

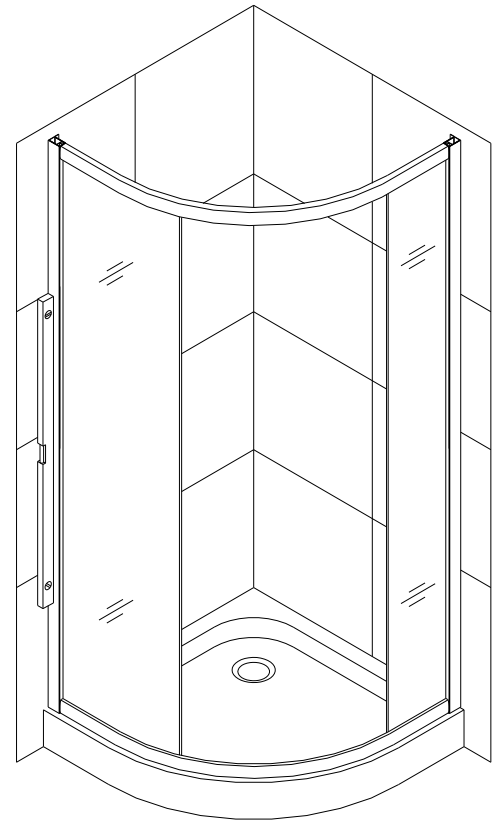


Fig. 5

7. Hold this assembly in position and mark the drill holes on the wall through the holes on the flange of the **Wall Profiles (01)**.

Gently set the assembled unit aside; drill the holes using **Ø 5/16"** drill bit and insert the **Wall anchors (15)**.

Apply silicone caulk along the **Wall profiles (01)** and around the holes in the wall. Also apply silicone under the bottom **Guide rail (03)**. Place the entire shower assembly back into the designated position and secure it to the walls using the **Round head screws ST4.2×40 (10)**.

See Fig. 6 for details.

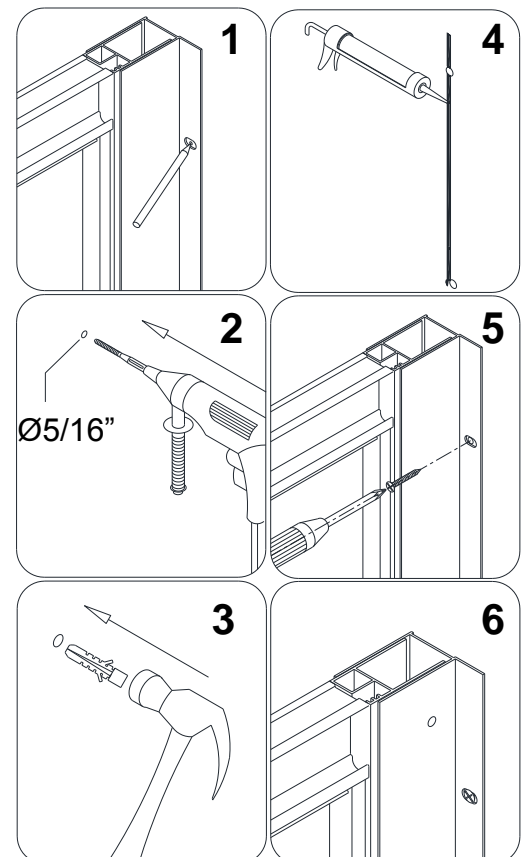


Fig. 6

8. Fasten the top and the bottom **Wheel assemblies (17)** to the **Glass door (06)**. The top wheels can adjust the door level with the adjustable bolt and lock nut. The bottom wheels have a press button to allow installation into the bottom **Guide rail (03)**.

**Note:**

The lock nut of the upper wheel (Fig 7.1) and the press button of the bottom wheel should be pointing up.

See Fig. 7 & 8 for details.

**NOTE: DO NOT** install the handles onto the door glass until instructed to do so. **DO NOT** lift the glass using the handles. This could result in damage to the glass and/or serious personal injury.

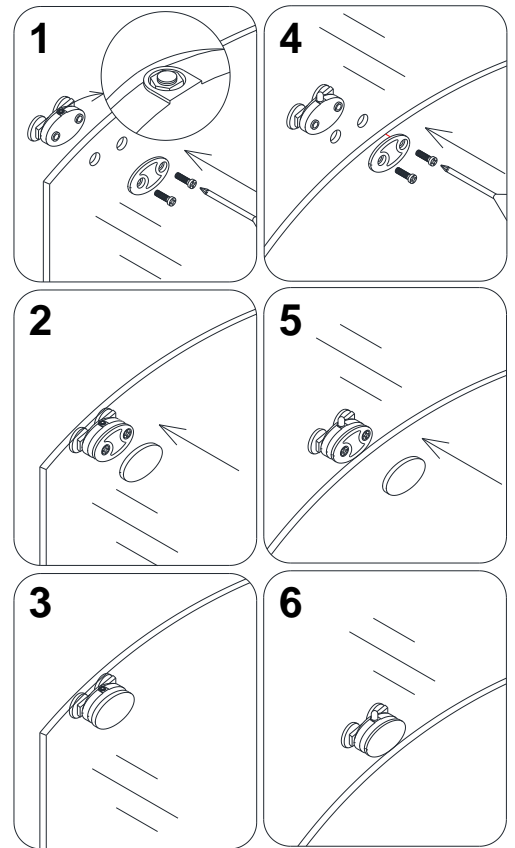


Fig. 7

9. Slide the top door wheels into the top **Guide rail (03)**. Push the bottom wheels into the bottom **Guide rail (03)** by pressing the button on the bottom **Wheel assembly (17)**.

**NOTE:**

If necessary, use a hand screwdriver (**do not use a power screwdriver**) to adjust the upper wheels to make minor adjustments so that the door operates smoothly and closes tightly.

See Fig. 8 for details.

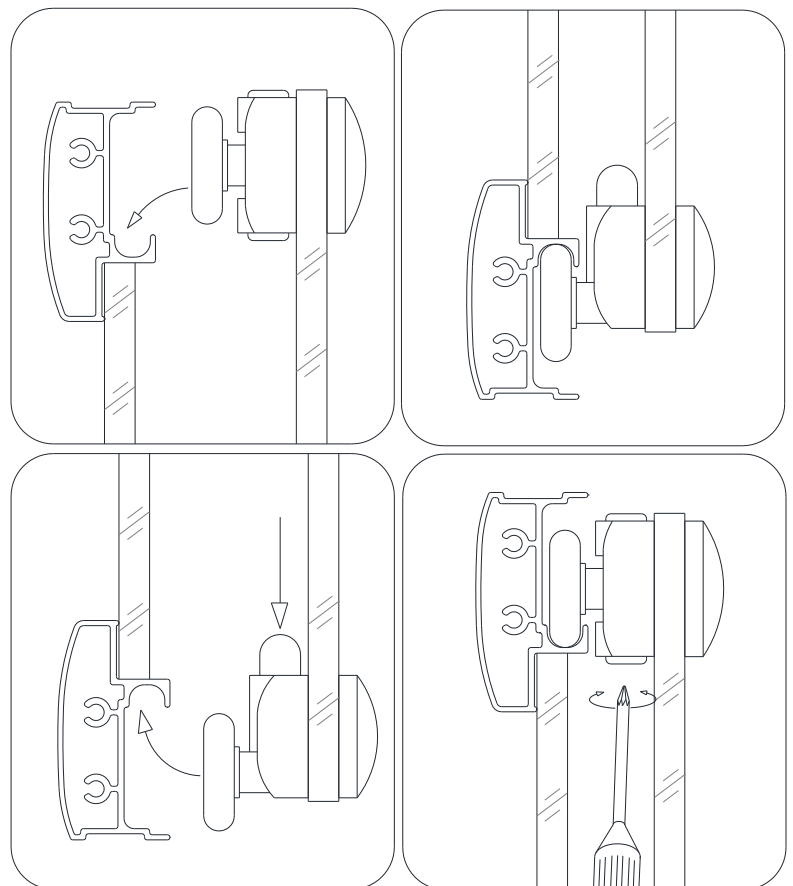


Fig. 8



10. Install the **Handle (07)** to the **Glass door (06)**.

Press the two short **Anti-water strips (08)** onto the vertical edges of the **Stationary glass (04, 05)** and the longer strip onto the vertical edge of the **Glass door (06)** away from the handle. (the handle edge of the door glass does not have a strip)

See Fig. 9 for details.

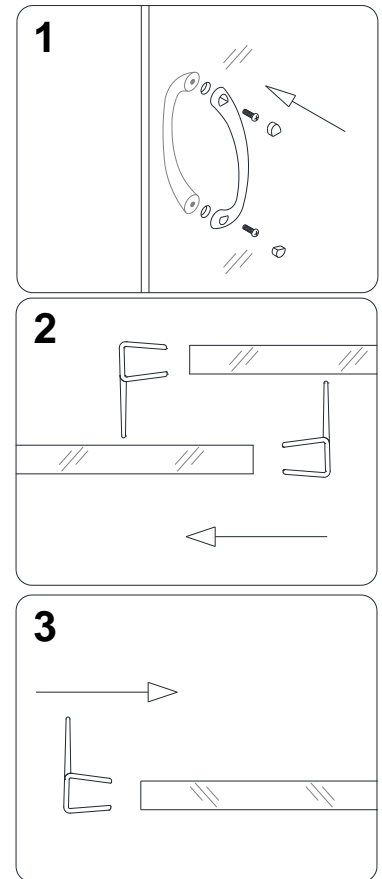


Fig. 9

11. Make final adjustments of the assembled unit within the **Wall profiles (01)**, making the unit tight to the walls and tight to the threshold.

From inside of the shower area, drill 2 holes through the **Wall Profiles (01)** into the **Glass profiles (02)** using an  $\text{Ø } 1/8''$  drill bit (one hole at the top and one hole at the bottom).

**ATTENTION:**

**Do not drill the profiles throughout, only the first layer of the wall profile and the glass profile.**

Secure the **Wall profiles (01)** to the **Glass profiles (02)** using the **Round head screws ST4.2×10 (12)** and washers (Fig 10.2). Cover the exposed screw heads with the **Decorative covers (14)**.

See Fig. 10 for details.

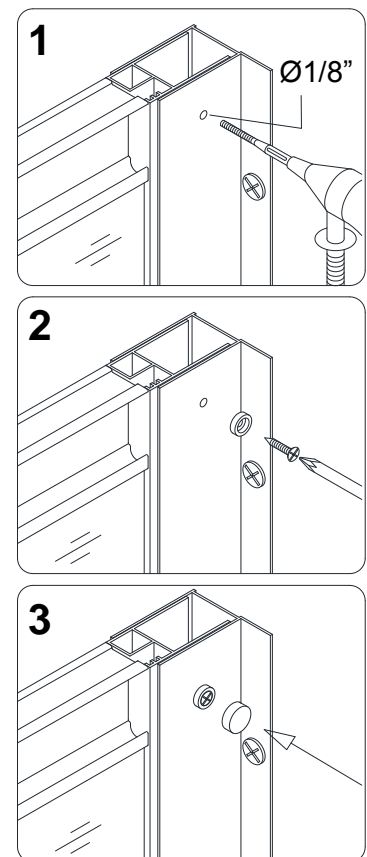


Fig. 10

12. Apply a good quality mildew-resistant silicone sealant along the profiles and guide rails; on the seams between the bottom guide rail and the profiles as well as along the shower base or threshold from the inside of the shower area. You may also apply silicone along the outside if you choose.

See Fig. 11 for details.

**Allow 24 hours for the silicone to fully cure before using the shower.**

Follow the safety guidelines from the Sealant manufacturer concerning application, proper ventilation and cure time.

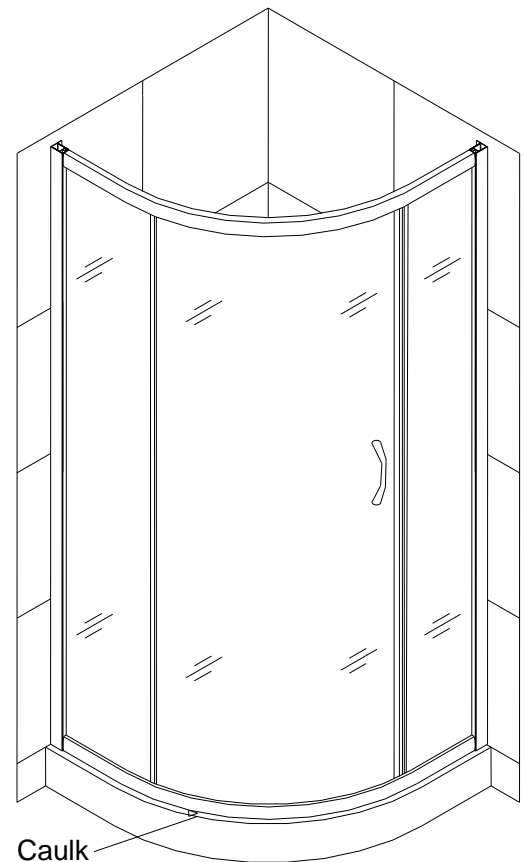


Fig. 11

## **Product Maintenance**

To insure long lasting life for your acrylic back walls, wipe them off after each use with a soft cloth. To clean the acrylic back walls use non-abrasive sprays or cream based cleaners. Never use abrasive cleansers, metal brushes or scrapers that could scratch or dull the surface.

To insure long lasting life for your glass shower products, wipe them off after each use with a soft cloth. Rinse and wipe of the glass using either soft cloth or squeegee to prevent soap buildup. Never use abrasive cleaners and cleaning products that contain scoring agent because this may scratch the surface. Never use bristle brushes or abrasive sponges.

To assure a long lasting finish wipe off the metal parts after each use with a soft cloth. Do not use abrasive cleaners or cleaning products containing ammonia, bleach or acid. If accidentally used, rinse the surface as soon as possible to prevent finish peeling or corrosion. After cleaning the shiny finishes, rinse thoroughly and wipe dry with soft cloth. Clean stainless steel surfaces at least once a week. When applying stainless steel cleaner or polish, work with (not across) the grain. Never use abrasive sponge or cloth, steel wool or wired brushes.



---

TEL: [866-731-2244](tel:866-731-2244)

FAX: [866-857-3638](tel:866-857-3638)

[DREAMLINE.COM](http://DREAMLINE.COM)

For more information on [DreamLine® Shower Doors](#) and [Enclosures](#) please visit [DreamLine.com](http://DreamLine.com)