

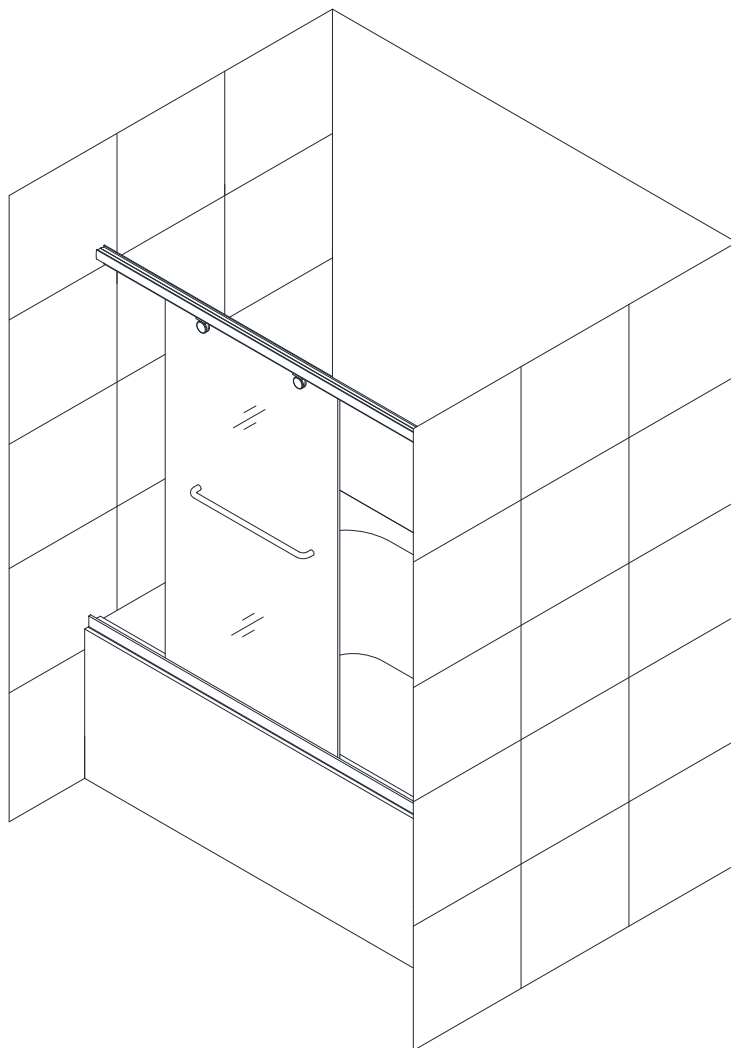


# TORERO

## TUB DOOR INSTALLATION INSTRUCTIONS

### IMPORTANT

DreamLine™ reserves the right to alter, modify or redesign products at any time without prior notice. For the latest up-to-date technical drawings, manuals or any other details please refer to the [support.BathAuthority.com](http://support.BathAuthority.com) web page.



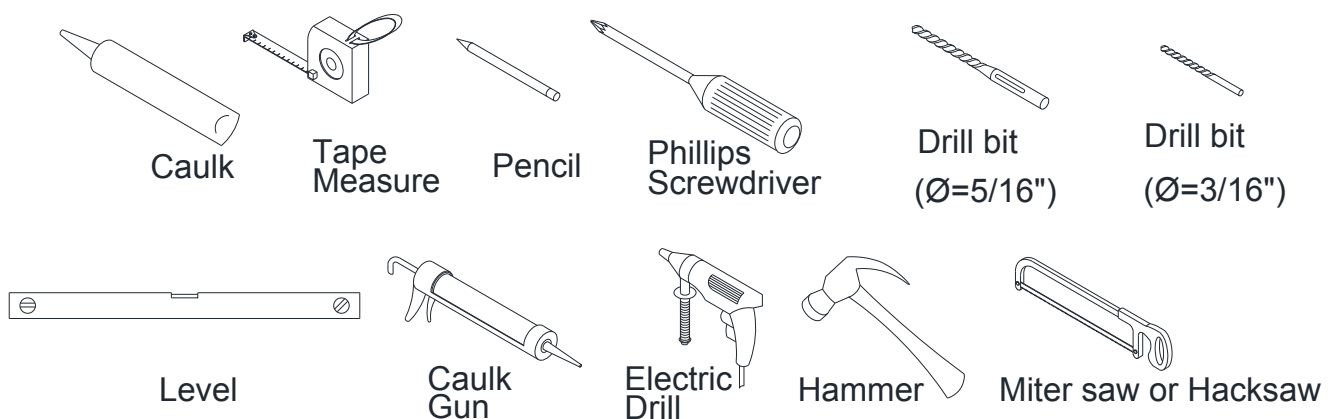
Please carefully read the instructions before installing. If you have any questions regarding installation, please call our technical support specialists Monday through Friday 9:00 AM – 5:00 PM EST at 1-866-731-8378, ext. 3 or e-mail our technical support group at [support@BathAuthority.com](mailto:support@BathAuthority.com).

For more information on [DreamLine™ Tub Doors](http://www.BathAuthority.com) please visit [www.BathAuthority.com](http://www.BathAuthority.com)

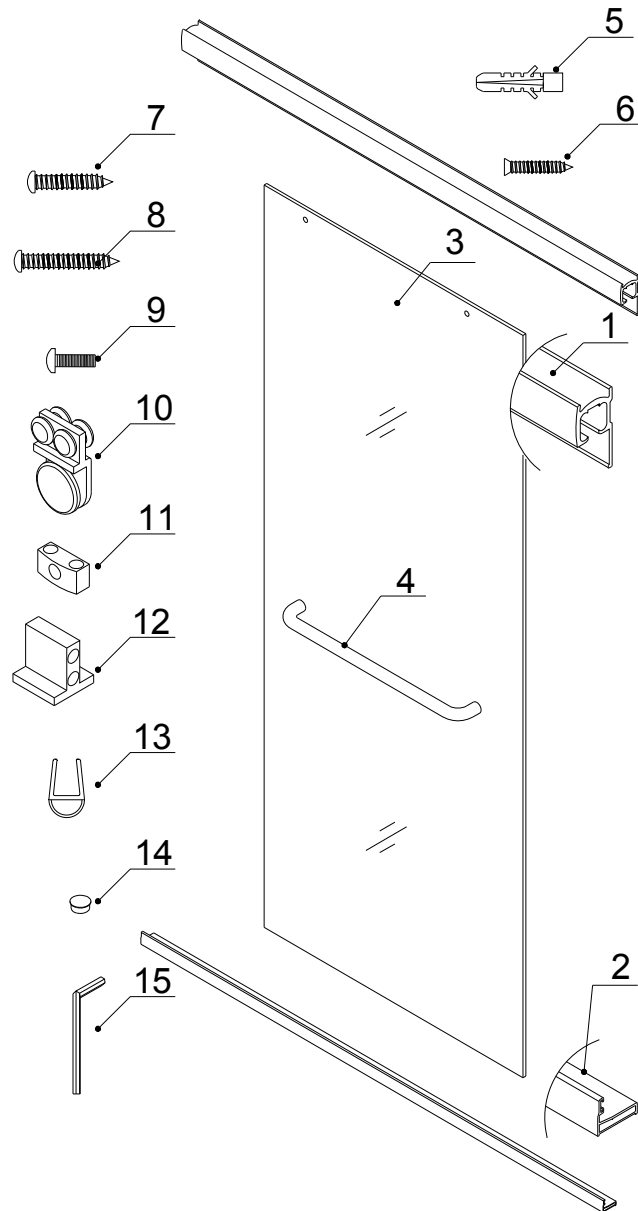
## Preparation

1. After opening all boxes and packages, read this introduction carefully. Check that all of the needed parts are included in the package, by marking all the components on the "Detailed Diagram of Tub Door Components". Examine boxes and packages for shipping damage. If the unit has been damaged, has a finishing defect, or has missing parts, please contact our customer support department within 3 business days of the delivery date. Please note that **DreamLine™ will not replace any damaged products or missing parts free of charge after 3 business days or if the product has been installed.** Feel free to contact DreamLine™ if you have any questions.
2. If this unit is going to be installed in a new construction, please, install all of the required plumbing and drainage before installing the shower. **Use a competent and licensed (if required by local code) plumber for all plumbing installation.**
3. **Please note that you should consult your local building codes with questions on installation compliance standards. Building and plumbing codes may vary by location and DreamLine is not responsible for code compliance standards for your project.**
4. Please insure that prior to the installation the installation surface is leveled and solid and will be able to support the total weight of the unit. Also make sure the walls are at right angles. While some adjustment in leveling of the door is possible, irregular installation surface level or improper angle of side walls will result in serious problems for your installation. Please, note that some adjustments and drilling might be necessary during the installation process.
5. **Please, NOTE! This door does not have out-of-plumb adjustment. Make sure your walls are at right angles.**

## Tools Required



## Detailed Diagram of Tub Door Components



### Packing List

01	Guide rail	1pc	09	Flat head bolt M4×10	2pcs
02	Threshold	1pc	10	Roller	2sets
03	Glass door	1pc	11	Guide block	1pc
04	Handle	1pc	12	Guide rail holder	2pcs
05	Wall anchor	4pcs	13	Bumper Strip	2pcs
06	Countersunk screw ST4.2×18	2pcs	14	Decorative cover	2pcs
07	Round head screw ST4.2×25	2pcs	15	4mm hex wrench	1pc
08	Round head screw ST4.2×35	4pcs			

**NOTE:** Unpack your unit carefully and inspect it. . Lay it out and identify all parts using the detailed diagram and packing list in your manual as a reference. Before discarding the carton, check for small hardware bags that tend to fall to the bottom of the box. If any parts are damaged or missing, please contact DreamLine™ for replacement.

## Tub Door Installation

1. Measure the distance between two walls. This distance is marked as "**W**".

See Fig. 1 for details.

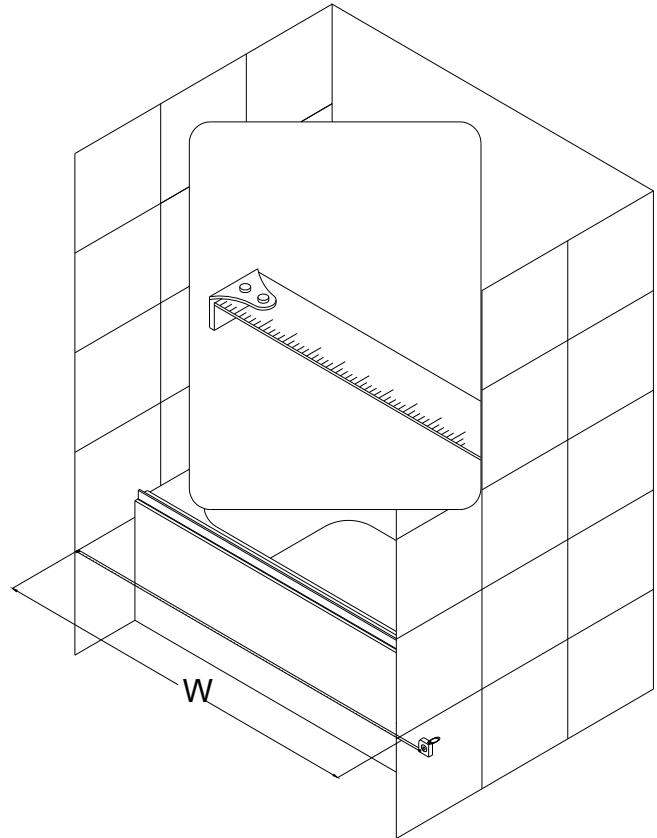


Fig. 1

2. The **Guide rail (01)** and the **Threshold (02)** have been precut for the installation between the walls with a distance of **60"**. If **W=60"**, then it is unnecessary to cut the **Guide rail** with the **Threshold** and you can continue to Step 3. If **W<60"**, then you will need to cut the **Guide rail** with the **Threshold** from one end to the size of the "**W**".

See Fig. 2 and Fig. 3 for details.

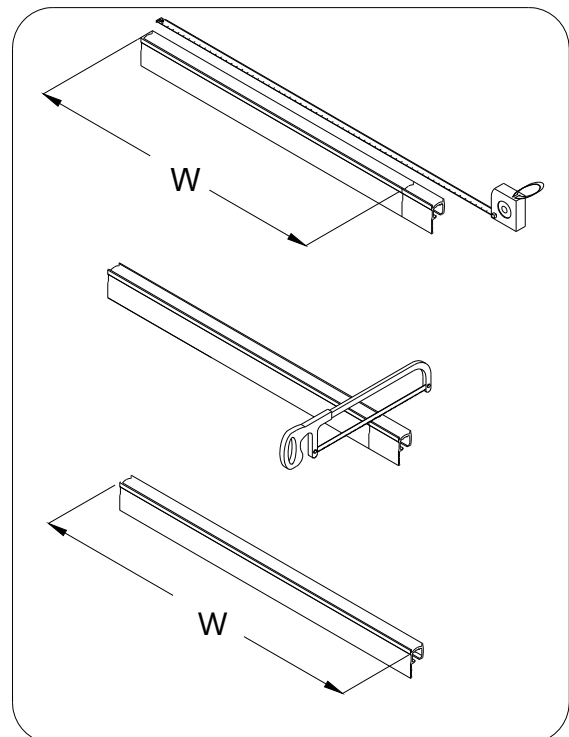


Fig. 2

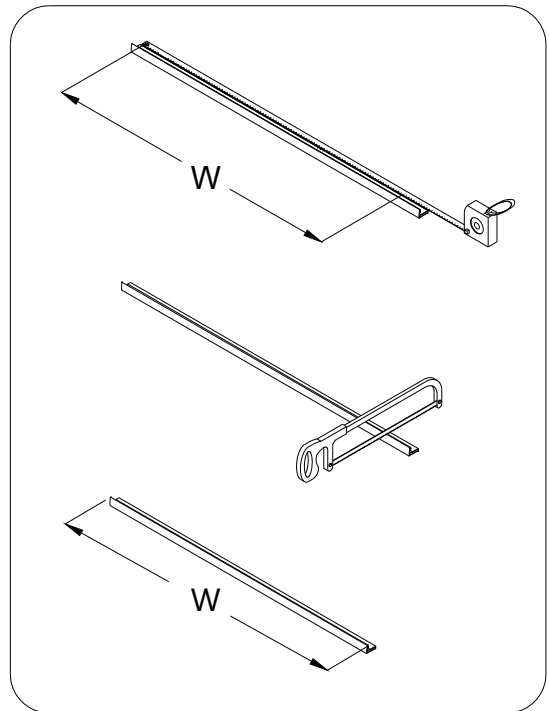


Fig. 3

3. If the **Threshold (02)** has been cut off from the end, you will need to drill another hole, which is **2"** away from the end of the **Threshold**.

Drill through the two layers of the aluminum using the  $\text{Ø } 3/16''$  drill bit, and then enlarge the hole on its first layer with the  $\text{Ø } 5/16''$  drill bit.

Apply the caulk to the bottom side of the **Threshold** and secure it to the shower base or the tub with the **Round head screw ST4.2×25mm (07)**.

See Fig. 4 for details.

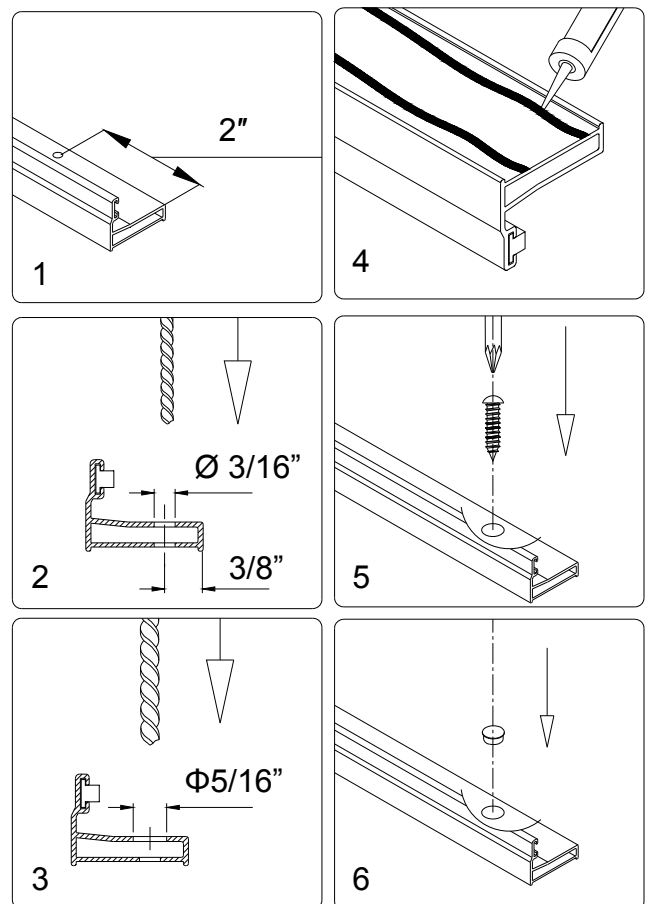


Fig. 4

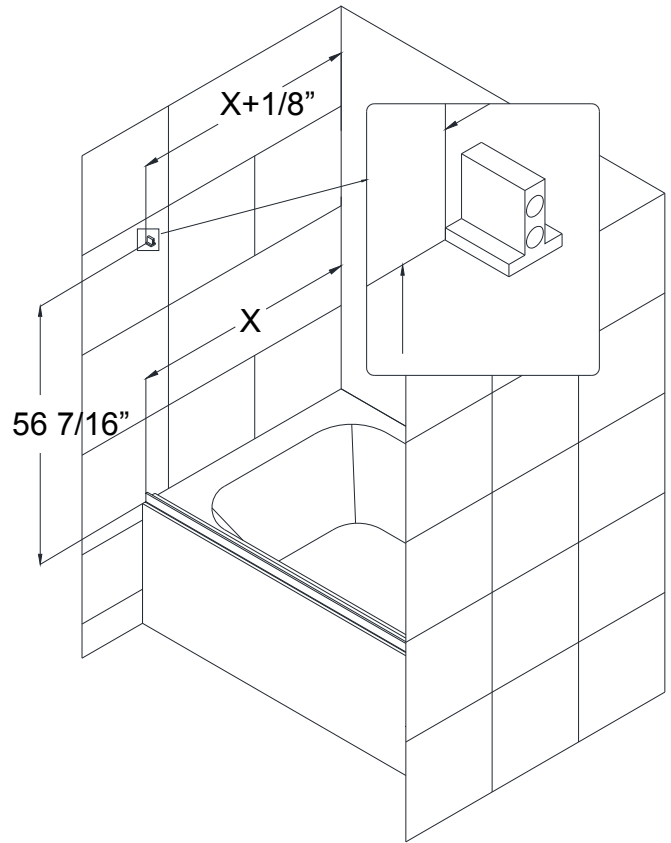
4. Find the location of the **Guide rail bracket (12)** on the wall:

a) Place a mark on the wall with the distance of  $56\frac{7}{16}$ " from the top surface of the tub to the bottom surface of the **Guide rail bracket**.

b) Measure the distance from the front edge of the **Threshold (02)** to the far corner of the wall. This distance is "**X**".

Place another mark on the wall with the distance of  $X+1/8$ " near to the first mark

Place another mark on the wall with the distance of  $X+1/8$ " near to the first mark



See Fig. 5 for details.

Fig. 5

5. Attach the **Guide rail bracket (12)** to the designated position on the wall and mark the drilling holes.

Drill the holes, insert the **Wall anchors (05)** and secure the **Guide rail bracket (12)** to the wall with the **Round head screw ST4.2×35(08)**.

See Fig. 6 for details.

Repeat **Step #4** and **Step #5** to mount another **Guide rail bracket** on the opposite wall.

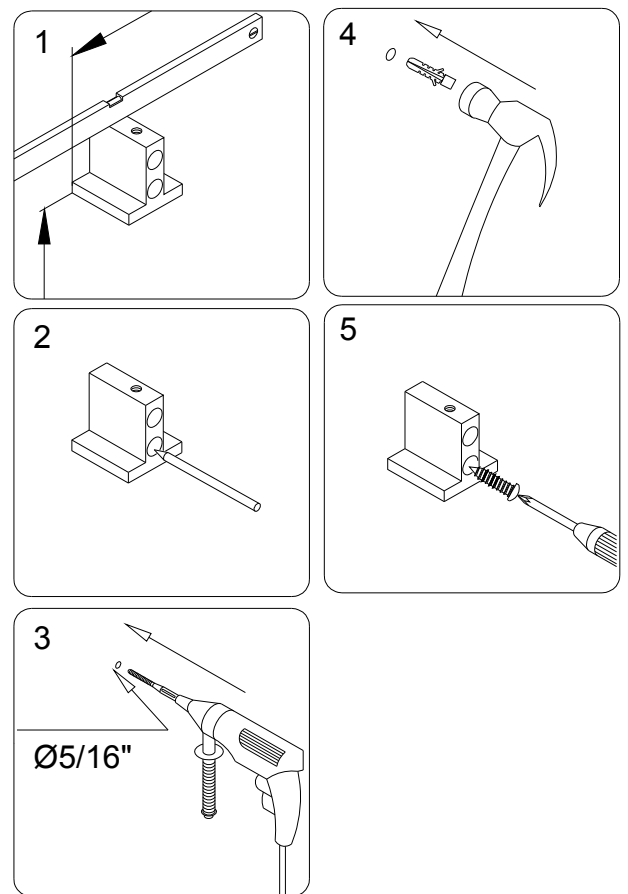


Fig. 6

- If the **Guide rail (02)** has been cut off from the end, you will need to drill another hole, which is **13/16"** away from the end of the **Guide rail**.

See Fig. 7 for details.

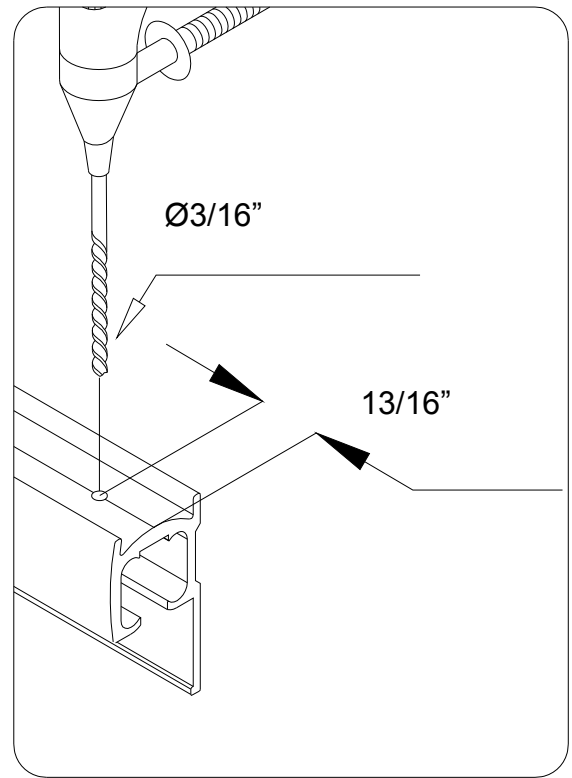


Fig. 7

- Slide the **Rollers (10)** into the channel of the **Guide rail (01)**.

Pay attention to direction of the **Rollers**.

Bring the **Guide rail** over the top of the **Guide rail brackets (12)** and lock them together.

Secure **Guide rail** to the **Guide rail brackets** with the **Flat head bolts ST4.2×10 (06)**.

See Fig. 8 and Fig. 9 for details.

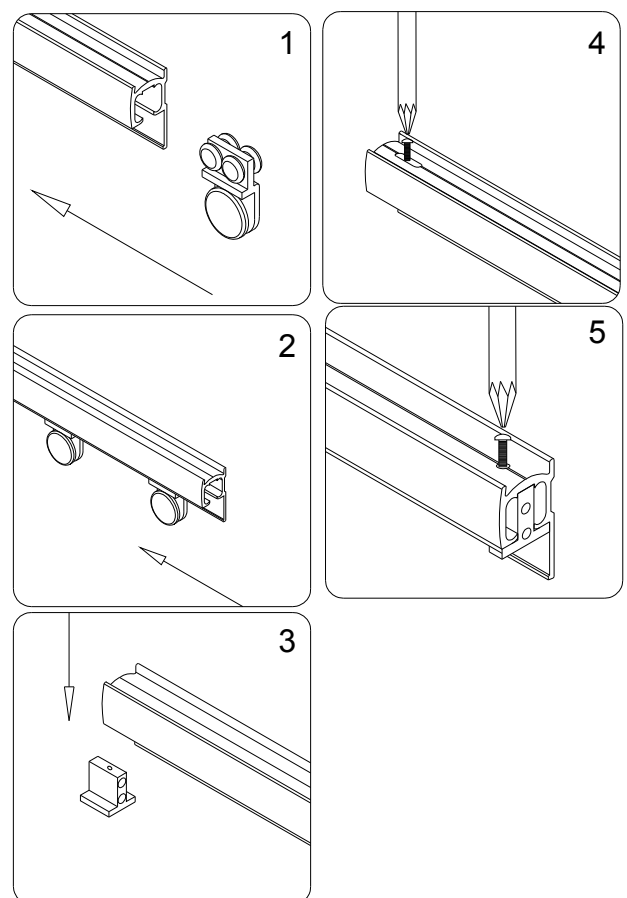


Fig. 8

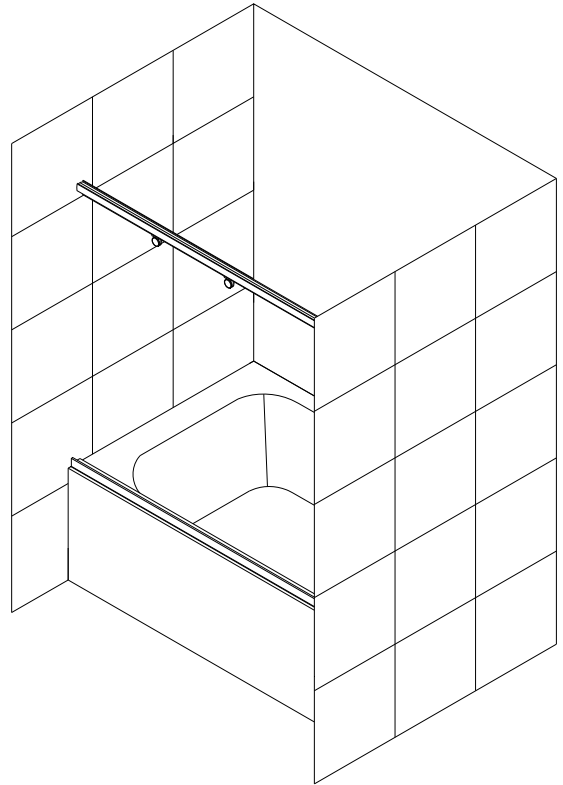


Fig. 9

8. Attach the **Glass doors (03)** to the **Rollers (10)** and fasten them with the provided bolts.  
 Install the **Guide block (11)** onto the middle of the **Threshold (02)**.  
 Install the **Handle (04)** onto the **Glass door** using the predrilled holes with the **Countersunk screw ST4.2×25 (06)**.

See Fig. 10 for details.

**NOTICE:**  
**Handle (04)** on the **Glass door** should be installed outward.

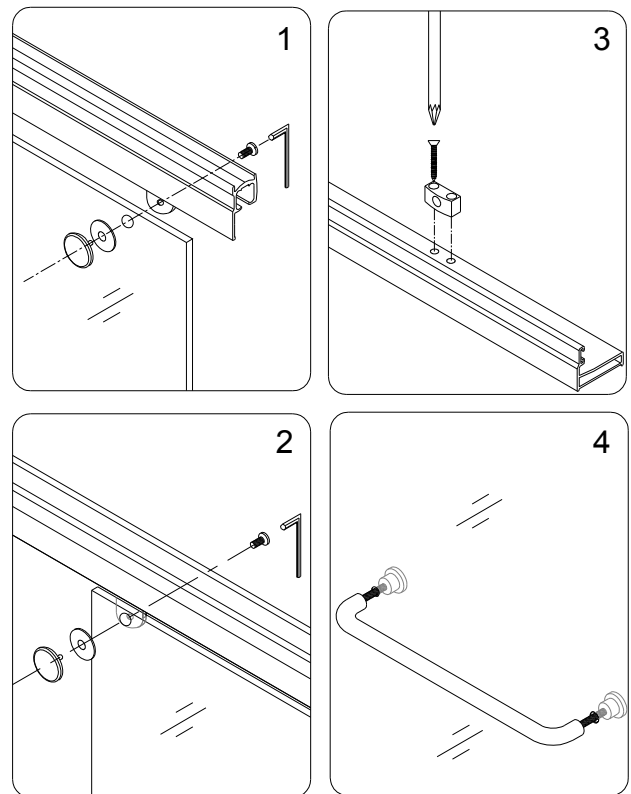


Fig. 10

9. Push the **Bumper strips (13)** over the vertical edges of the **Glass door (03)**.

See Fig. 11 for details.

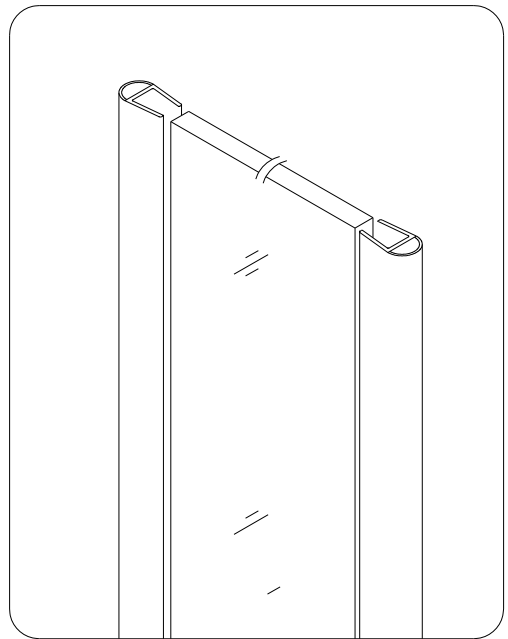


Fig. 11

10. Apply the silicone between the **Guide rail (01)** and the Shower base.

See Fig. 12 for details.

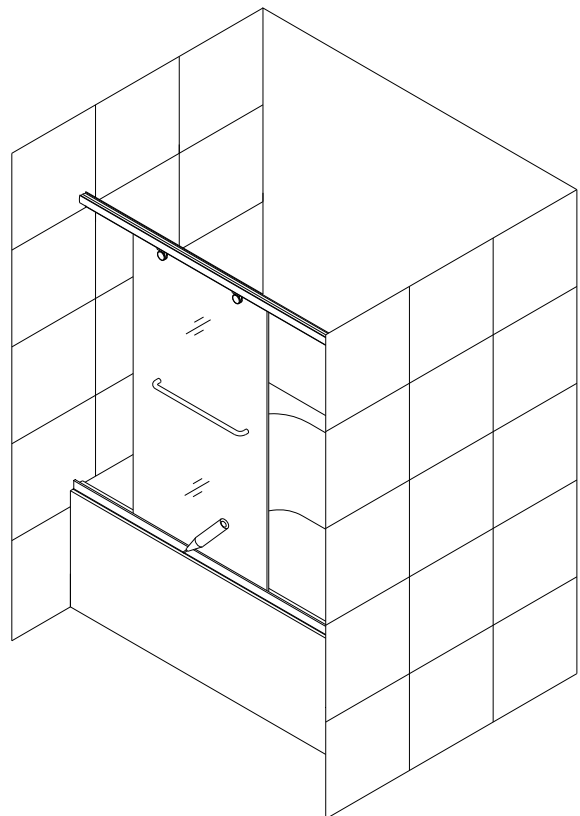


Fig. 12

## **Product Maintenance**

1. The tempered glass can be cleaned with nonabrasive bathroom cleaner or any glass cleaner you use elsewhere in your home. Rinse off any glass cleaner that gets on the aluminum as soon as possible to avoid damage to the anodized surface. Avoid striking glass with any sharp or hard objects. Such damage can cause either immediate or delayed breakage of tempered glass.
  
2. The aluminum parts of your shower door are durable and resistant to the water damage. It is advisable, but not necessary to wipe it with your towel after using the shower. Clean it as often as needed to keep the buildup off. Never use any type of abrasive cleaner. Use only a soft damp cloth and nonabrasive bathroom cleaners.
  
3. Maintenance of wheel:
  - A: for plastic wheel, use a little lubricating oil to keep it smooth and long last.
  - B: for metal wheel, except adding of oil, if shower has not been used for a long time, you can dry the wheel and put a little grease to keep it well working conditions.
  - C: Adjust wheel screw periodically to guarantee moving door effective bearing and sliding.

**This is Bath Authority LLC's ("DreamLine") exclusive written warranty effective April 1, 2011**

This warranty extends only to the original owner/end-user for household use only and is not transferable to a subsequent owner. This warranty applies only to DreamLine™ products purchased from an authorized dealer and installed in United States or Canada. Proof of purchase (original sales receipt) must be provided with all warranty claims. **In no event shall the liability of DreamLine™ exceed the purchase price of the unit.**

If DreamLine™ shower doors, shower enclosures and shower bases are used commercially, DreamLine™ warrants such products to be free from defects in material and workmanship for one (1) year from initial date of purchase from an authorized dealer, with all other terms of this warranty applying except duration. If DreamLine™ vanities, vessel sinks and shower columns are used commercially, DreamLine™ warrants such products to be free from defects in material and workmanship for three (3) months from initial date of purchase from an authorized dealer, with all other terms of this warranty applying except duration. **DreamLine™ Jetted and Steam Shower Cabins are not intended for commercial use and there is no warranty extended for these products for commercial use.** DreamLine™ is not responsible for loss of use or profit under any circumstances.

DreamLine™ hereby disclaims all warranties for products sold as a dealer or store displays. DreamLine™ hereby disclaims all warranties for products used outside of the United States or Canada whether expressed or implied, including but not limited to the implied warranties of merchantability and fitness for a particular purpose.

DreamLine™ will, at its election, repair, replace with product of equal value or make appropriate adjustment where DreamLine's analysis or inspection of warranty claim discloses any such defects occurring in normal usage within the warranty period. DreamLine warranty obligation shall be discharged upon tender of replacement or repair. Purchaser's refusal to accept the tender terminates warranty obligation.

Cost of freight for returning products to DreamLine™ for repairs or replacement under this limited warranty are the responsibility of the customer. Cost of freight associated with shipping of replacement product or parts to the customer may be charged to customer. Any product replaced or repaired during the warranty period will be covered only for the remaining period of the original warranty. In no event will DreamLine be liable for costs of repair or replacement of any installation material, including but not limited to tiles, marble, etc. **DreamLine™ is not responsible for installation, removal or reinstallation costs of any product requiring warranty services.**

Improper modification or alterations of any DreamLine™ products will void the warranty. Any DreamLine products repairs must be performed by either a DreamLine authorized agent or a licensed experienced professional contractor. This warranty shall not apply to breakage or damages caused by normal wear and tear, fault, carelessness, abuse, misuse, misapplication, improper maintenance, alteration or modification of the unit, as well as chemical or natural corrosion, accident, fire, flood, act of God or any other casualty. Improper care and cleaning will void the warranty. Never use cleaners containing abrasive cleansers, ammonia, bleach, acids, waxes, alcohol, solvents or other products not recommended for chrome or similar finish, glass or acrylic. This will void the warranty. For additional product maintenance instructions please refer to product installation manuals. The warranty does not extend to any non-DreamLine™ plumbing or components installed by installers, end users or by any party other than DreamLine™.

**THE FOREGOING WARRANTIES ARE IN LIEU OF ALL OTHER WARRANTIES, EXPRESSED OR IMPLIED, INCLUDING BUT NOT LIMITED TO THE IMPLIED WARRANTIES OF MERCHANTABILITY AND FITNESS FOR A PARTICULAR PURPOSE. BATH AUTHORITY LLC ("DREAMLINE") AND/OR SELLER DISCLAIM ALL LIABILITY FOR SPECIAL, INCIDENTAL OR CONSEQUENTIAL DAMAGES. DREAMLINE™ IS NOT LIABLE FOR PERSONAL INJURIES OR DEATH TO ANY PERSON OR FOR ANY DIRECT, SPECIAL, INCIDENTAL OR CONSEQUENTIAL DAMAGE, LOSS OF USE, LOSS OF TIME, LOSS OF PROFITS, INCONVENIENCE, INCIDENTAL EXPENSES, LABOR OR MATERIAL CHARGES, OR ANY OTHER COSTS RESULTING FROM THE USE OF ITS PRODUCTS OR PERTAINING TO THE APPLICATION OF THE PRESENT WARRANTY, OR RESULTING FROM THE REMOVAL OR REPLACEMENT OF ANY PRODUCT OR ELEMENT OR PART COVERED BY THIS WARRANTY.**

DreamLine™ is not responsible for product code compliance or for verifying code restrictions on installation or use and any such compliance is excluded from this warranty. DreamLine™ reserves the right to modify this warranty at any time - such warranty modification will not alter warranty applicable at the time of sale of the products in question. The warranty terms for specific products are:

**SHOWER DOORS, SHOWER ENCLOSURES AND SHOWER BASES**

DreamLine™ warrants shower doors, shower enclosures and shower bases to be free from defects in workmanship and materials under normal residential use for a period of five (5) years from the initial date of purchase by the owner/end-user, contractor or builder from an authorized dealer.

**SHOWER CABINS (JETTED & STEAM)**

DreamLine™ warrants glass, acrylic and finish to be free from defects in workmanship for a period of five (5) years from initial date of purchase by the owner/end-user, contractor or builder from an authorized dealer; and plumbing, electrical and steam generator components for a period of one (1) year from the initial date of purchase by the owner/end-user, contractor or builder from an authorized dealer.

**SHOWER COLUMNS**

DreamLine™ warrants shower columns to be free from defects in workmanship and materials under normal residential use for a period of one (1) year from the initial date of purchase by the owner/end-user, contractor or builder from an authorized dealer.

**VANITIES AND VESSEL SINKS**

DreamLine™ warrants bathroom vanities and vessel sinks to be free from defects in workmanship and materials under normal residential use for a period of one (1) year from the initial date of purchase by the owner/end-user, contractor or builder from an authorized dealer.

Some states/provinces do not allow limitations on how long an implied warranty lasts, or the exclusion or limitation of special, incidental or consequential damages, so these limitations and exclusions may not apply to you. This warranty gives you specific legal rights. You may also have other rights, which vary from state/province to state/province.



---

TEL: 866-731-8378 – 215-957-1411

FAX: 866-227-9245 – 215-893-1780

[WWW.BATHAUTHORITY.COM](http://WWW.BATHAUTHORITY.COM)

For more information on [DreamLine™ Tub Door](http://www.BathAuthority.com) please visit [www.BathAuthority.com](http://www.BathAuthority.com)