

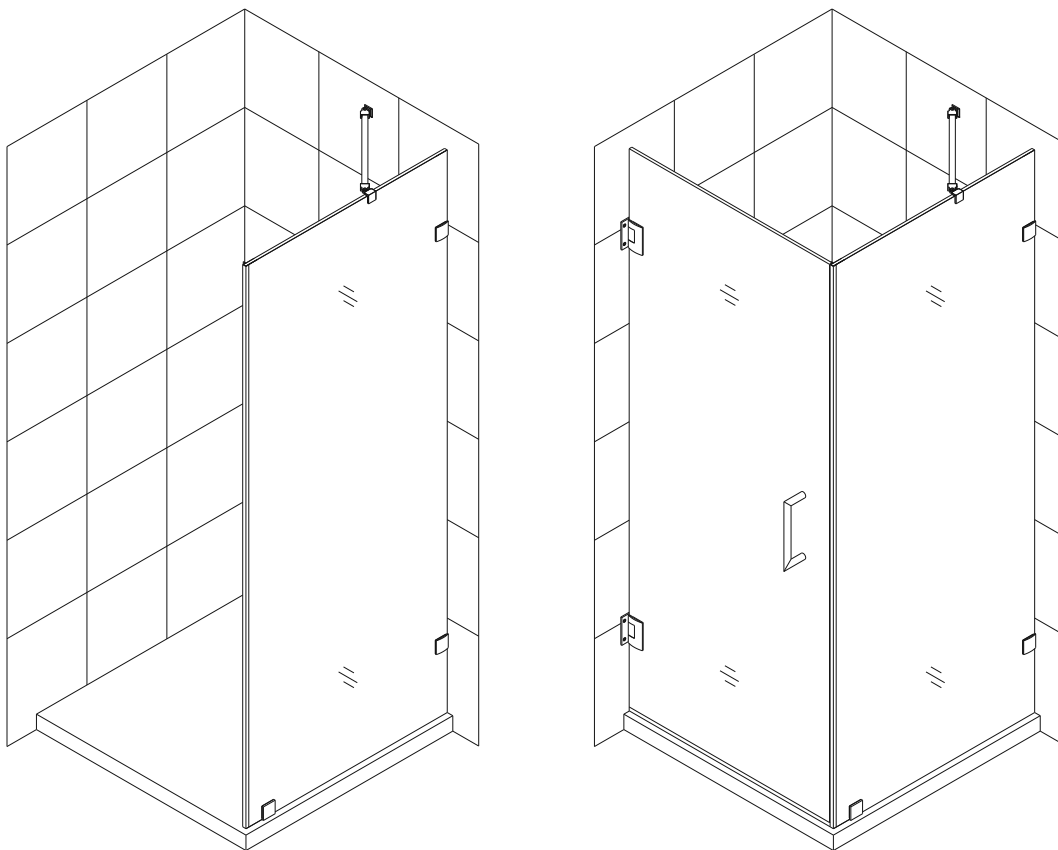


UNIDOORLUX (STYLE E)

SHOWER DOOR GLASS PANEL INSTALLATION INSTRUCTIONS

IMPORTANT

DreamLine™ reserves the right to alter, modify or redesign products at any time without prior notice. For the latest up-to-date technical drawings, manuals or any other details please refer to your model's web page on BathAuthority.com



Style E

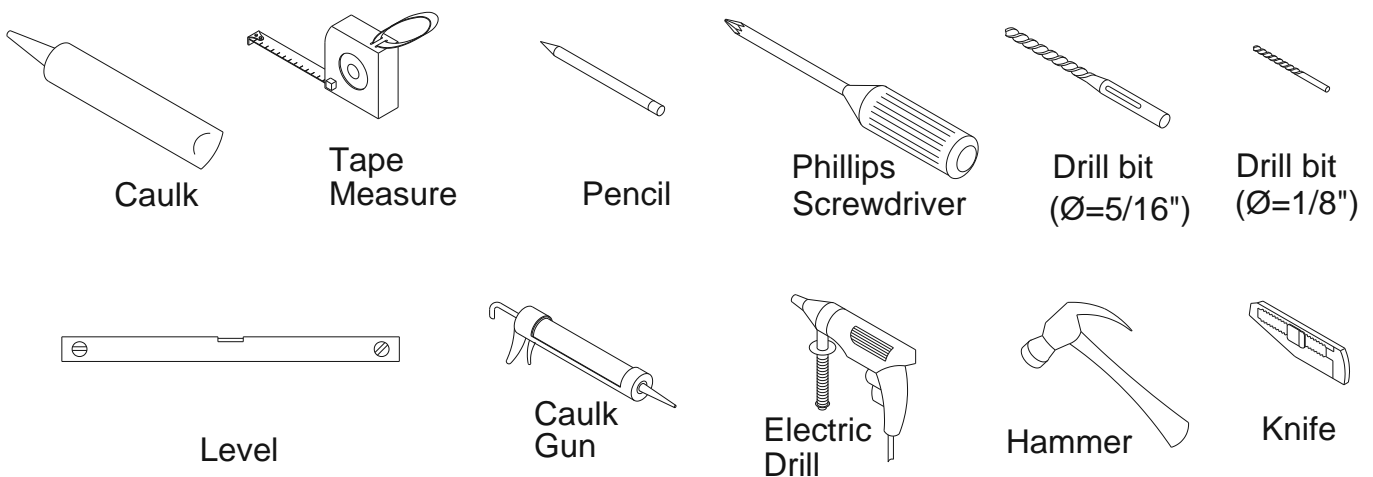
Please read these instructions carefully before installing. If you have any questions regarding installation, please contact our technical support specialists Monday through Friday 8:00 AM – 7:00 PM EST at Phone: [1-866-731-2244](tel:1-866-731-2244), Fax: [1-866-857-3638](tel:1-866-857-3638) or e-mail our technical support group at Support@BathAuthority.com

For more information about DreamLine™ products please visit www.BathAuthority.com

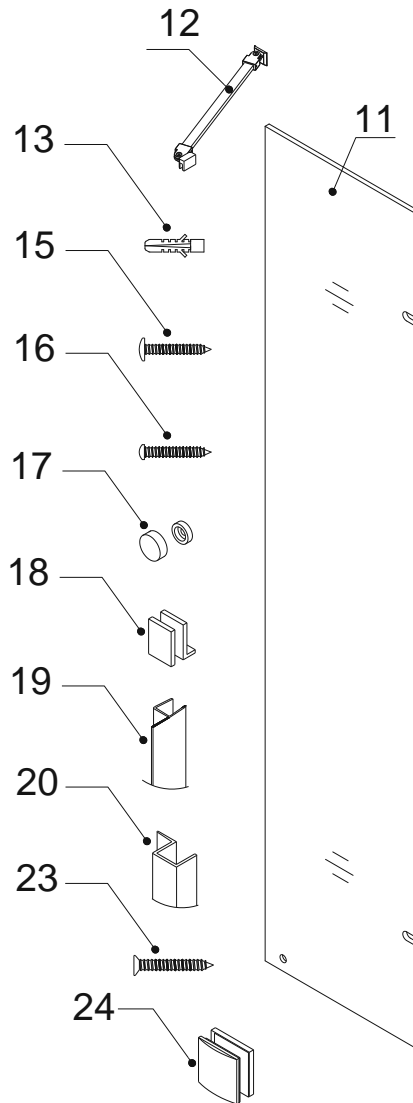
Preparation

1. Prior to installation, examine all boxes and packages for shipping damage and compare the piece count with your packing slip. After opening all boxes and packages read this introduction carefully. Check that all of the needed parts are included in the package by checking off the components on the "Detailed Diagram of Shower Door Components". If the unit has been damaged, has a finishing defect, or has missing parts, please contact our customer support department within **3 business days** of the delivery date. Please note that **DreamLine™ will not replace any damaged products or missing parts free of charge after 3 business days or if the product has been installed.** Feel free to contact DreamLine™ if you have any questions, and please provide an order number, job name or other proof of purchase to help us identify your original order. **Please note that you should consult your local building codes with questions on installation compliance standards. Building and plumbing codes may vary by location, and DreamLine is not responsible for code compliance standards for your project and will not accept any returns.**
2. If this unit is going to be installed in new construction, please install all of the required plumbing and drainage before installing the shower. **Use a competent and licensed (if required by local code) plumber for all plumbing installation.**
3. Prior to the installation, please ensure that the installation surface is level and solid and will be able to support the total weight of the unit. Also make sure that the walls are plumb. Depending on the type of unit you are installing, some adjustments in leveling may be possible. However, irregular installation, surface level or out of square conditions can result in serious problems for your installation. Please note that some adjustments and drilling may be necessary. Please protect all primary surfaces of the product during installation. **Never set your glass down directly onto a tile floor.** Always use a piece of wood or cardboard to protect the bottom edge and corners of the glass.
4. **Note: The installation of this unit requires that you drill down into the threshold.**

Tools Required



Detailed Diagram of Glass Panel Components



Packing List

11	Stationary glass	1pc	18	Bottom bracket	1pc
12	Support bar	1pc	19	Anti-Water strip (inline panel) *	1pc
13	Wall anchor	3pcs	20	Anti-water strip (enclosure)	1pc
15	Big flat head screw ST4.2x55	2pcs	23	Countersunk screw ST4.2x40	1pc
16	Round head screw ST4.2x35	1pc	24	Wall bracket	2pcs
17	Decorative screw cover	1pc			

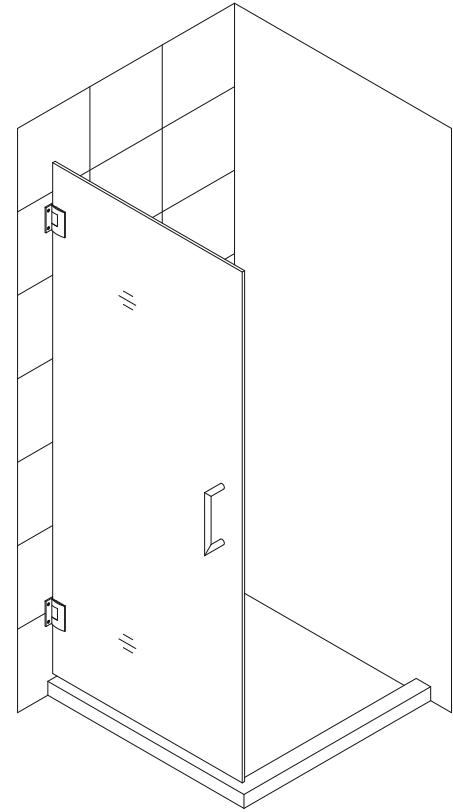
NOTE: Unpack your unit carefully and inspect it. Lay it out and identify all parts using the detailed diagram and packing list in your manual as a reference. Before discarding the carton, check for small hardware bags that may have fallen to the bottom of the box. If any parts are damaged or missing, please contact DreamLine™ for replacement. The shipping boxes may contain extra parts not used in your model configuration.

NOTE: Retain these installation instructions for future reference.

*** ATTENTION: Anti-Water strip (inline panel) (19) used for in-line panel installation.**

Style "E": 30" Stationary Return Panel Shower Enclosure Installation

NOTE: The Unidoor shower door needs to be installed prior to proceeding with the following Stationary Return Panel Glass installation instructions. Please see the Single Shower Door installation manual included in the door packaging for complete shower door installation instructions. Before you begin the installation, please recheck your finished opening size and model dimensions to ensure proper placement of the Return Stationary Glass. Specific size information can be found in the Size Table below and on our website at www.BathAuthority.com.



NOTE: Use parts from the "Detailed Diagram of Glass Panel Components" for Stationary Glass assembly and installation.

1. Please mark measurement lines on the wall for the Glass door **A** and Return panel **B** according to the size of your model.

See Size Table & Fig. 1 for details.

Size Table:

<i>Measured from the finished corner to the outside of the glass</i>	
A	W1
SHDR-GL2001-307210	30.3/8" (771mm)
B	W2
SHDR-GL2312-307210	30" (762mm)

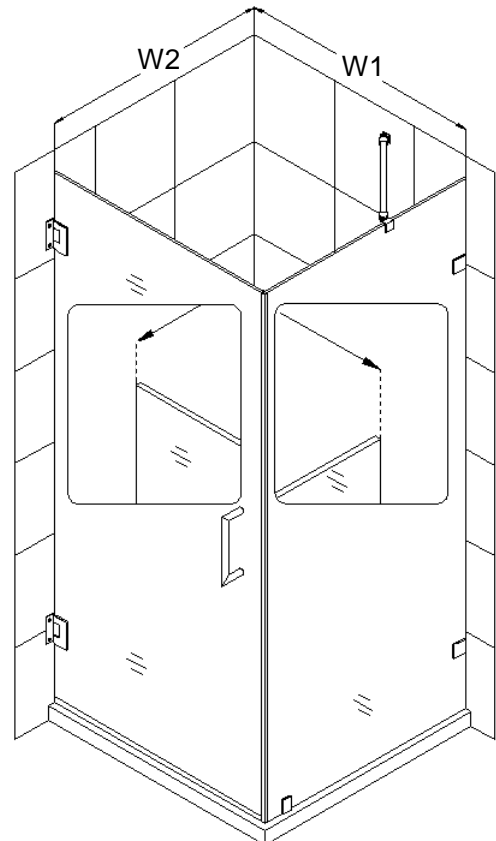


Fig. 1

- Mount the two **Wall brackets (24)** through the notches on the **Stationary glass (11)**. Press the **Anti-water strip (enclosure) (20)** onto the vertical edge of the **Stationary glass**. Attach the **Bottom Bracket (18)** through the bottom hole of the **Stationary glass**.

See Fig. 2 for details.

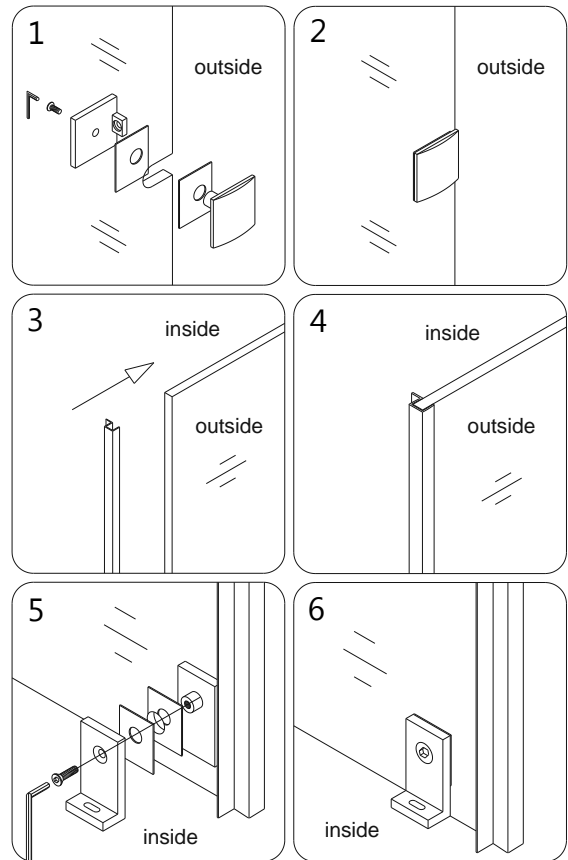


Fig. 2

- Carefully butt the **Stationary glass (11)** up against the wall vertically according to the outside enclosure mark **W1** that was made in step #1. Intermittently use a level throughout these steps to ensure that this glass enclosure is leveled properly.

While securely holding the **Stationary glass**, close the **Glass Door** and align the **Stationary glass** to it.

If needed, adjust the position of the **Stationary glass** to make sure the **Anti-water strip (enclosure) (20)** makes tight contact to the **Glass Door** from top to bottom.

Outline the position of the **Wall brackets (24)** on the wall from inside the shower.

Mark the drilling hole of the **Bottom bracket (18)** on the shower base or threshold through the oval notched hole.

See Fig. 3 for details.

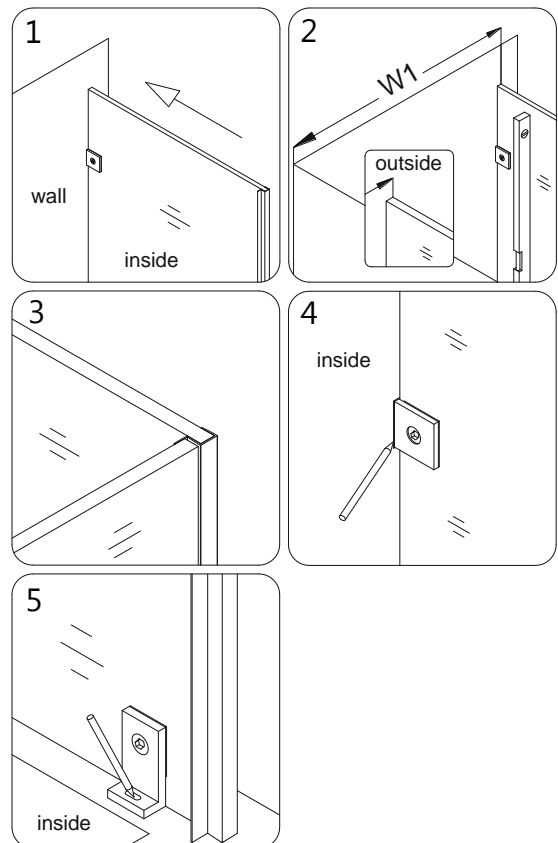


Fig. 3

4. Open the **Glass Door** and carefully set the **Stationary glass (11)** aside. Remove the **Wall brackets (24)** and **Bottom bracket (18)** from the **Stationary glass**.

Replace the **Wall brackets** to the outlined positions that were made in step #3 and mark the drill holes on the wall.

Drill the holes using a **Ø 5/16"** drill bit, insert the **Wall anchor (13)** and fasten the **Wall brackets** to the wall with the **Big flat head screws ST4.2×55 (15)**.

See Fig. 4 for details.

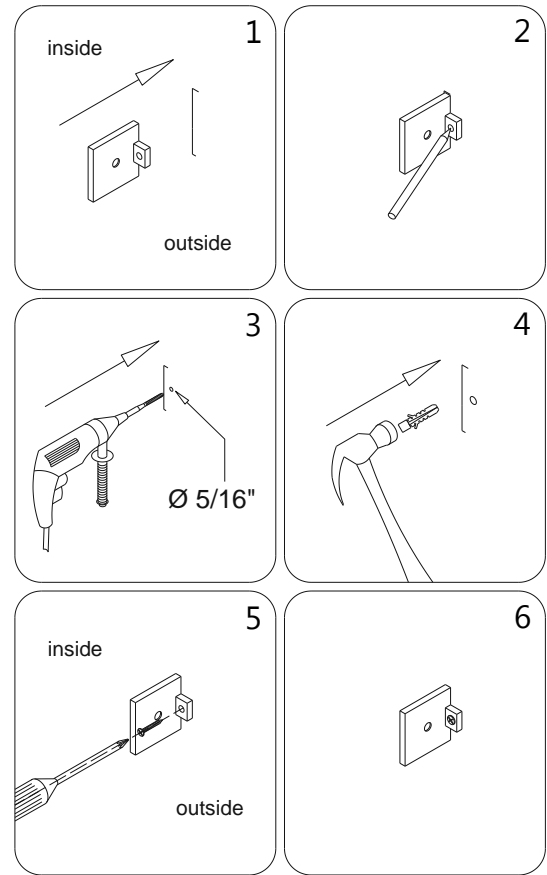


Fig. 4

5. Drill the hole into the shower base or threshold for the **Bottom bracket (18)** using **Ø 1/8"** drill bit at the drill mark that was made in step #3.

Use the **Round head screw ST4.2x35 (16)** along with a raised white washer to attach the **Bottom Bracket** to the shower base or threshold.

See Fig. 5 for details.

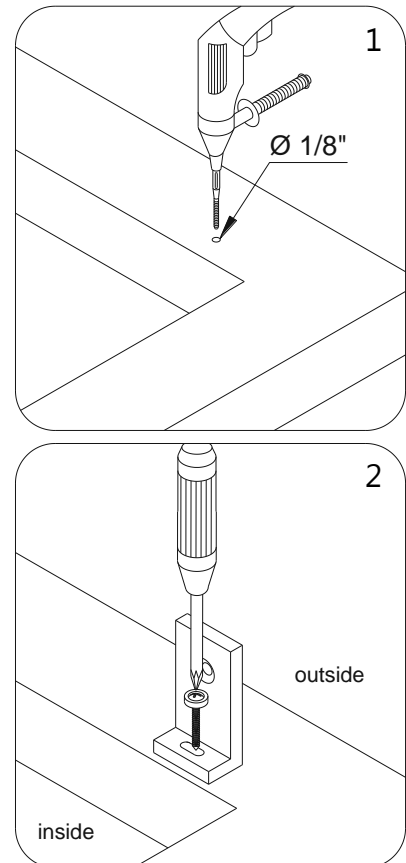


Fig. 5

6. Move the **Stationary Glass (11)** back into position and tighten it up to the **Wall Brackets (24)**.
Secure the **Bottom Bracket (18)** to the **Stationary Glass**.
Cover the **Bottom Bracket** screw head with **Decorative screw cover (17)**.

See Fig. 6 and Fig. 7 for details.

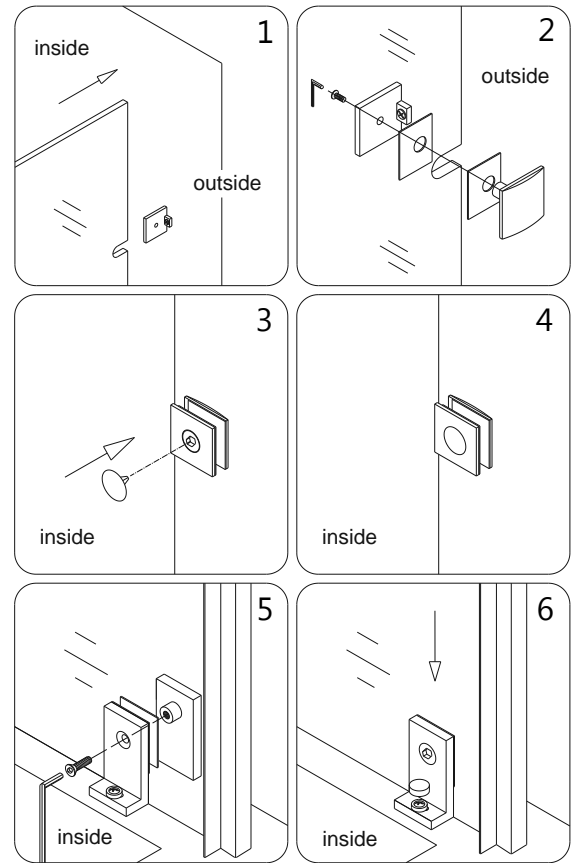


Fig. 6

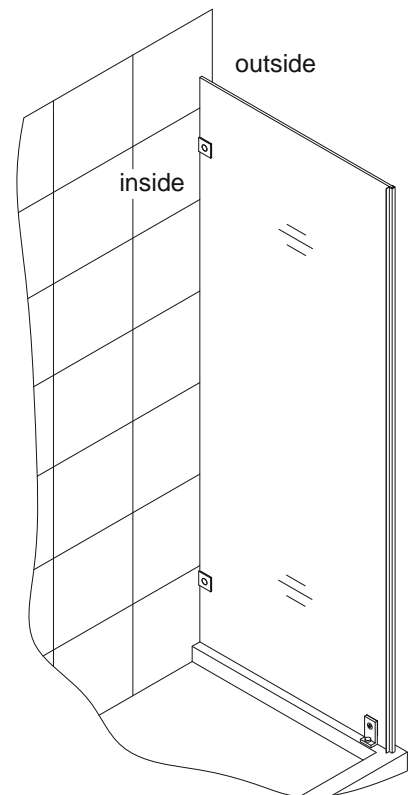


Fig. 7

7. Locate the **Support bar (12)**.

Adjust the **Support bar** at an angle that will provide adequate support for the glass to the wall. Level it horizontally. Hold it firmly and outline the bracket's position on the wall. Remove the **Support bar** and detach the wall bracket from it. Place the wall bracket against its outlined position on the wall and mark the drilling hole.

Drill the hole using **Ø5/16"** drill bit, insert the **Wall anchor (13)** and fasten the wall bracket to the wall with the **Countersunk screw ST4.2×40 (23)**. Attach the **Support bar** to the wall as shown in Fig. 8.5 and tighten the set screws and the glass holding screw to secure the glass.

See Fig. 8 and Fig. 9 for details.

NOTE: Make sure to use clear rubber gasket to prevent glass to metal connection.

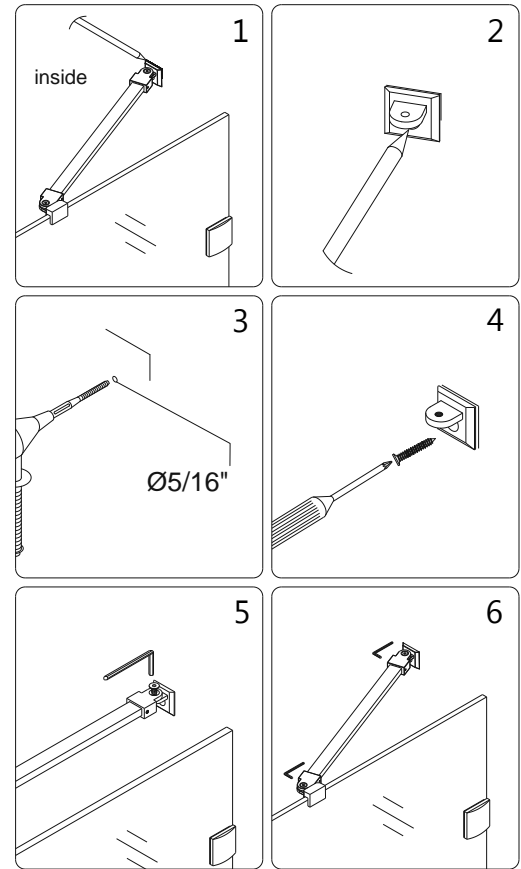


Fig. 8

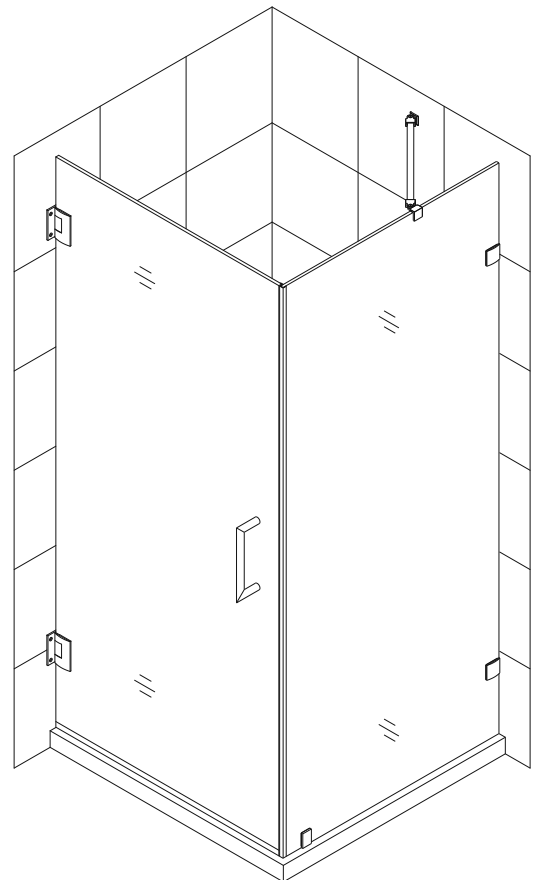


Fig. 9

8. Apply waterproof silicone along the connection of the **Stationary glass (11)** to the wall and the shower base or threshold on the inside of shower.

See Fig. 10 for details.

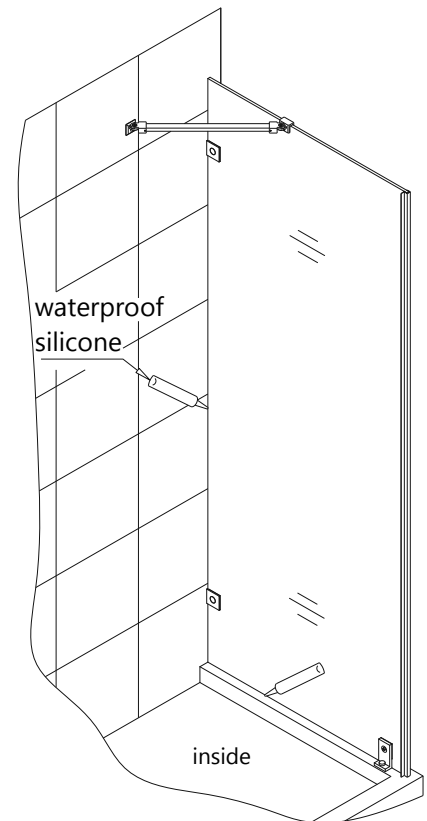


Fig. 10

Product Maintenance

BASES and BACKWALLS: To ensure a long life for your acrylic back walls: wipe them off after each use with a soft cloth. To clean the acrylic back walls use non-abrasive sprays or cream based cleaners. Never use abrasive cleansers, metal brushes or scrapers that could scratch or dull the surface.

GLASS: To ensure long lasting life for your glass shower products: wipe them off after each use with a soft cloth. Rinse and wipe off the glass using either a soft cloth or a squeegee to prevent soap buildup and water spots. To prevent scratching the surface: never use abrasive cleaners and cleaning products that contain scouring agents. Never use bristle brushes or abrasive sponges.

HARDWARE: To ensure a long lasting finish: wipe off the metal parts after each use with a soft cloth. Do not use abrasive cleaners or cleaning products containing ammonia, bleach or acid. If accidentally used, rinse the surface as soon as possible to prevent finish peeling or corrosion. After cleaning the shiny finishes, rinse thoroughly and wipe dry with soft cloth. Clean stainless steel surfaces at least once a week. When applying stainless steel cleaner or polish, work with (not across) the grain. Never use abrasive sponge or cloth, steel wool or wired brushes.



TEL: [866-731-2244](tel:866-731-2244)

FAX: [866-857-3638](tel:866-857-3638)

WWW.BATHAUTHORITY.COM

For more information on [DreamLine™ Shower Doors](#) and [Enclosure](#) please visit www.BathAuthority.com