

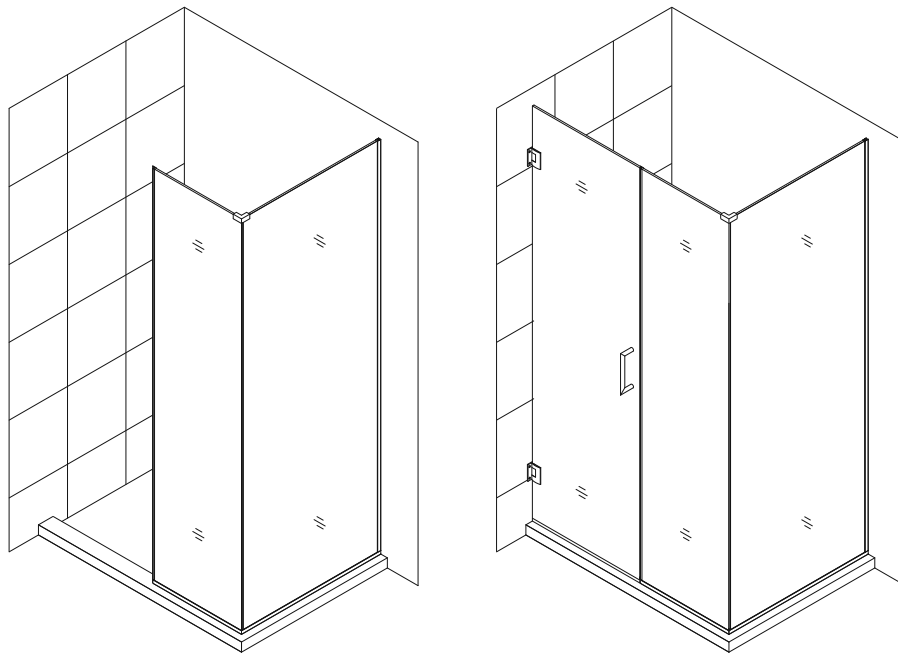


UNIDOOR PLUS (STYLE I)

SHOWER ENCLOSURE GLASS PANEL INSTALLATION INSTRUCTIONS

IMPORTANT

DreamLine™ reserves the right to alter, modify or redesign products at any time without prior notice. For the latest up-to-date technical drawings, manuals or any other details please refer to your model's web page on BathAuthority.com



STYLE I

ATTENTION: This model features the half etched glass option. Please see specific installation instructions on page 20 when applicable.

Please read these instructions carefully before installing. If you have any questions regarding installation, please contact our technical support specialists Monday through Friday 8:00 AM – 7:00 PM EST at Phone: [1-866-731-2244](tel:1-866-731-2244), Fax: [1-866-857-3638](tel:1-866-857-3638) or e-mail our technical support group at Support@BathAuthority.com

For more information about DreamLine™ products please visit www.BathAuthority.com

Model#s:

SHEN-24290300
 SHEN-24290340
 SHEN-24295300
 SHEN-24295340
 SHEN-24300300
 SHEN-24300340
 SHEN-24305300
 SHEN-24305340
 SHEN-24310300
 SHEN-24310340
 SHEN-24315300
 SHEN-24315340
 SHEN-24320300
 SHEN-24320340
 SHEN-24325300
 SHEN-24325340
 SHEN-24330300
 SHEN-24330340
 SHEN-24335300
 SHEN-24335340
 SHEN-24340300
 SHEN-24340340
 SHEN-24345300
 SHEN-24345340
 SHEN-24350300
 SHEN-24350340
 SHEN-24355300
 SHEN-24355340
 SHEN-24360300
 SHEN-24360340
 SHEN-24365300
 SHEN-24365340
 SHEN-24290300-HFR
 SHEN-24290340-HFR
 SHEN-24295300-HFR
 SHEN-24295340-HFR
 SHEN-24300300-HFR
 SHEN-24300340-HFR
 SHEN-24305300-HFR
 SHEN-24305340-HFR
 SHEN-24310300-HFR
 SHEN-24310340-HFR
 SHEN-24315300-HFR
 SHEN-24315340-HFR
 SHEN-24320300-HFR
 SHEN-24320340-HFR
 SHEN-24325300-HFR
 SHEN-24325340-HFR
 SHEN-24330300-HFR
 SHEN-24330340-HFR
 SHEN-24335300-HFR
 SHEN-24335340-HFR
 SHEN-24340300-HFR
 SHEN-24340340-HFR
 SHEN-24345300-HFR
 SHEN-24345340-HFR
 SHEN-24350300-HFR
 SHEN-24350340-HFR
 SHEN-24355300-HFR
 SHEN-24355340-HFR
 SHEN-24360300-HFR
 SHEN-24360340-HFR
 SHEN-24365300-HFR
 SHEN-24365340-HFR

Model#s:

SHEN-24370300
 SHEN-24370340
 SHEN-24375300
 SHEN-24375340
 SHEN-24380300
 SHEN-24380340
 SHEN-24385300
 SHEN-24385340
 SHEN-24390300
 SHEN-24390340
 SHEN-24395300
 SHEN-24395340
 SHEN-24400300
 SHEN-24400340
 SHEN-24405300
 SHEN-24405340
 SHEN-24410300
 SHEN-24410340
 SHEN-24415300
 SHEN-24415340
 SHEN-24420300
 SHEN-24420340
 SHEN-24425300
 SHEN-24425340
 SHEN-24430300
 SHEN-24430340
 SHEN-24435300
 SHEN-24435340
 SHEN-24440300
 SHEN-24440340
 SHEN-24445300
 SHEN-24445340
 SHEN-24370300-HFR
 SHEN-24370340-HFR
 SHEN-24375300-HFR
 SHEN-24375340-HFR
 SHEN-24380300-HFR
 SHEN-24380340-HFR
 SHEN-24385300-HFR
 SHEN-24385340-HFR
 SHEN-24390300-HFR
 SHEN-24390340-HFR
 SHEN-24395300-HFR
 SHEN-24395340-HFR
 SHEN-24400300-HFR
 SHEN-24400340-HFR
 SHEN-24405300-HFR
 SHEN-24405340-HFR
 SHEN-24410300-HFR
 SHEN-24410340-HFR
 SHEN-24415300-HFR
 SHEN-24415340-HFR
 SHEN-24420300-HFR
 SHEN-24420340-HFR
 SHEN-24425300-HFR
 SHEN-24425340-HFR
 SHEN-24430300-HFR
 SHEN-24430340-HFR
 SHEN-24435300-HFR
 SHEN-24435340-HFR
 SHEN-24440300-HFR
 SHEN-24440340-HFR
 SHEN-24445300-HFR
 SHEN-24445340-HFR

Model#s:

SHEN-24450300
 SHEN-24450340
 SHEN-24455300
 SHEN-24455340
 SHEN-24460300
 SHEN-24460340
 SHEN-24465300
 SHEN-24465340
 SHEN-24470300
 SHEN-24470340
 SHEN-24475300
 SHEN-24475340
 SHEN-24480300
 SHEN-24480340
 SHEN-24485300
 SHEN-24485340
 SHEN-24490300
 SHEN-24490340
 SHEN-24495300
 SHEN-24495340
 SHEN-24500300
 SHEN-24500340
 SHEN-24505300
 SHEN-24505340
 SHEN-24510300
 SHEN-24510340
 SHEN-24515300
 SHEN-24515340
 SHEN-24520300
 SHEN-24520340
 SHEN-24525300
 SHEN-24525340
 SHEN-24450300-HFR
 SHEN-24450340-HFR
 SHEN-24455300-HFR
 SHEN-24455340-HFR
 SHEN-24460300-HFR
 SHEN-24460340-HFR
 SHEN-24465300-HFR
 SHEN-24465340-HFR
 SHEN-24470300-HFR
 SHEN-24470340-HFR
 SHEN-24475300-HFR
 SHEN-24475340-HFR
 SHEN-24480300-HFR
 SHEN-24480340-HFR
 SHEN-24485300-HFR
 SHEN-24485340-HFR
 SHEN-24490300-HFR
 SHEN-24490340-HFR
 SHEN-24495300-HFR
 SHEN-24495340-HFR
 SHEN-24500300-HFR
 SHEN-24500340-HFR
 SHEN-24505300-HFR
 SHEN-24505340-HFR
 SHEN-24510300-HFR
 SHEN-24510340-HFR
 SHEN-24515300-HFR
 SHEN-24515340-HFR
 SHEN-24520300-HFR
 SHEN-24520340-HFR
 SHEN-24525300-HFR
 SHEN-24525340-HFR

Model#s:

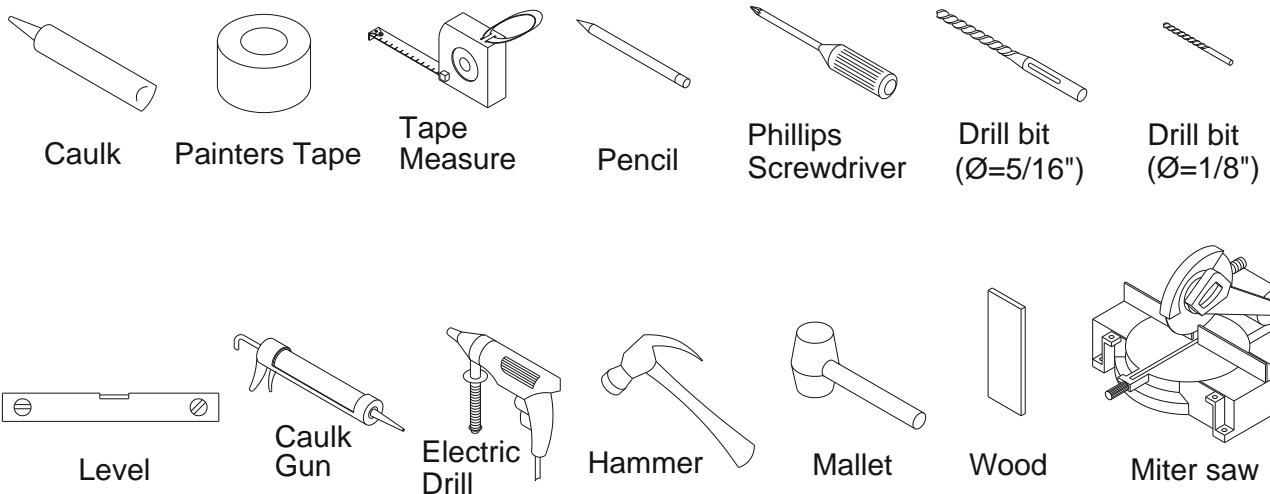
SHEN-24530300
 SHEN-24530340
 SHEN-24535300
 SHEN-24535340
 SHEN-24540300
 SHEN-24540340
 SHEN-24545300
 SHEN-24545340
 SHEN-24550300
 SHEN-24550340
 SHEN-24555300
 SHEN-24555340
 SHEN-24560300
 SHEN-24560340
 SHEN-24565300
 SHEN-24565340
 SHEN-24570300
 SHEN-24570340
 SHEN-24575300
 SHEN-24575340
 SHEN-24580300
 SHEN-24580340
 SHEN-24585300
 SHEN-24585340
 SHEN-24590300
 SHEN-24590340
 SHEN-24595300
 SHEN-24595340
 SHEN-24600300
 SHEN-24600340
 SHEN-24605300
 SHEN-24605340
 SHEN-24530300-HFR
 SHEN-24530340-HFR
 SHEN-24535300-HFR
 SHEN-24535340-HFR
 SHEN-24540300-HFR
 SHEN-24540340-HFR
 SHEN-24545300-HFR
 SHEN-24545340-HFR
 SHEN-24550300-HFR
 SHEN-24550340-HFR
 SHEN-24555300-HFR
 SHEN-24555340-HFR
 SHEN-24560300-HFR
 SHEN-24560340-HFR
 SHEN-24565300-HFR
 SHEN-24565340-HFR
 SHEN-24570300-HFR
 SHEN-24570340-HFR
 SHEN-24575300-HFR
 SHEN-24575340-HFR
 SHEN-24580300-HFR
 SHEN-24580340-HFR
 SHEN-24585300-HFR
 SHEN-24585340-HFR
 SHEN-24590300-HFR
 SHEN-24590340-HFR
 SHEN-24595300-HFR
 SHEN-24595340-HFR
 SHEN-24600300-HFR
 SHEN-24600340-HFR

Finishes: -01 Chrome -04 Brushed Nickel -06 Oil Rubbed Bronze HFR= Half Frosted Band

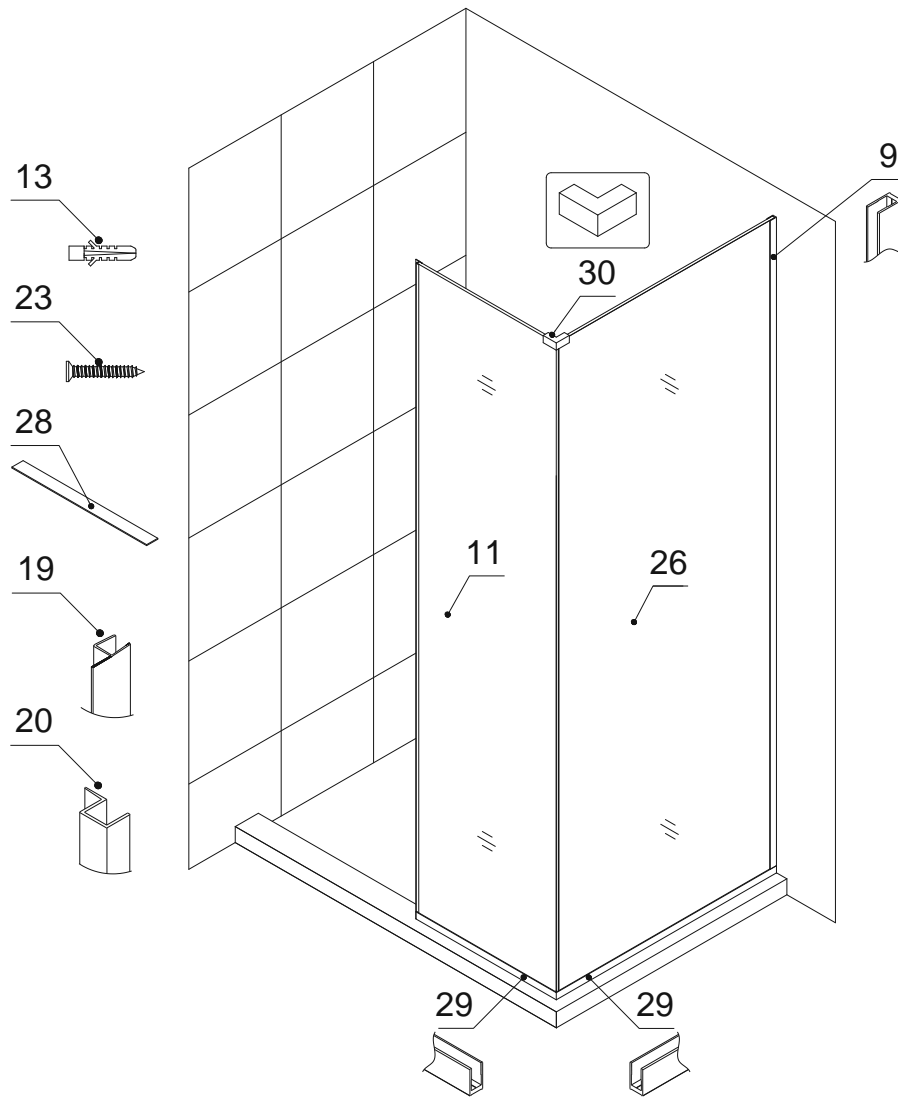
Preparation

1. Prior to installation, examine all boxes and packages for shipping damage and compare the piece count with your packing slip. After opening all boxes and packages read this introduction carefully. Check that all of the needed parts are included in the package by checking off the components on the "Detailed Diagram of Shower Door Components". If the unit has been damaged, has a finishing defect, or has missing parts, please contact our customer support department within **3 business days** of the delivery date. Please note that **DreamLine™ will not replace any damaged products or missing parts free of charge after 3 business days or if the product has been installed.** Feel free to contact DreamLine™ if you have any questions, and please provide an order number, job name or other proof of purchase to help us identify your original order.
2. **Please note that you should consult your local building codes with questions on installation compliance standards. Building and plumbing codes may vary by location, and DreamLine is not responsible for code compliance standards for your project and will not accept any returns.**
3. If this unit is going to be installed in new construction, please install all of the required plumbing and drainage before installing the shower. **Use a competent and licensed (if required by local code) plumber for all plumbing installation.**
4. Prior to the installation, please ensure that the installation surface is level and solid and will be able to support the total weight of the unit. Also make sure that the walls are plumb. Depending on the type of unit you are installing, some adjustments in leveling may be possible. However, irregular installation, surface level or out of square conditions can result in serious problems for your installation. Please note that some adjustments and drilling may be necessary. Please protect all primary surfaces of the product during installation. **Never set your glass down directly onto a tile floor.** Always use a piece of wood or cardboard to protect the bottom edge and corners of the glass.
5. **Note: The installation of this unit requires that you drill down into the threshold.**

Tools Required



Detailed Diagram of Glass Panel Components



Packing List

09	U-channel 1 (76", wall profile)	1pc	23	Countersunk screw ST4.2x40	14pcs
11	Stationary glass	1pc	26	Return panel glass	1pc
13	Ø5/16" Wall anchor	14pcs	28	Adjustment Spacer	6pcs
19	Anti-Water strip (inline panel)	1pc	29	U-channel 2 (44", bottom profile)	2pcs
20	Anti-Water strip (enclosure) *	1pc	30	90° Corner Bracket	1pc

NOTE: Unpack your unit carefully and inspect it. Lay it out and identify all parts using the detailed diagram and packing list in your manual as a reference. Before discarding the carton, check for small hardware bags that may have fallen to the bottom of the box. If any parts are damaged or missing, please contact DreamLine™ for replacement. The shipping boxes may contain extra parts not used in your model configuration.

NOTE: Retain these installation instructions for future reference.

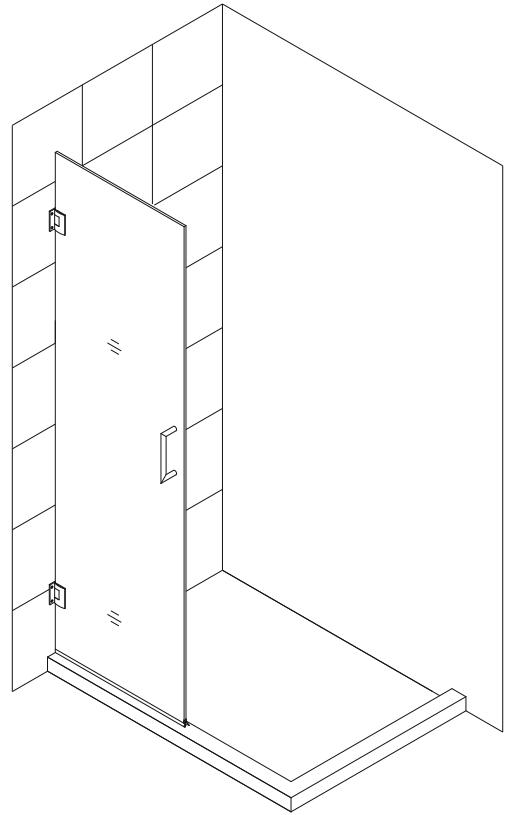
*** ATTENTION: Anti-Water strip (enclosure) (20) used for 30" - 34" return stationary panel Installation (STYLE L).**

Style "I": In-Line Panel with 30" -34" Return Panel Installation

NOTE: The Unidoor shower door needs to be installed prior to proceeding with the following Stationary and Return Glass installation instructions. Please see the Single Shower Door installation manual included in the door packaging for complete shower door installation instructions. Before you begin the installation, please recheck your shower opening size. Specific size information can be found using the "SKU TO GLASS SIZE GUIDE" below and on our website at www.BathAuthority.com.

NOTE: The installation of this enclosure requires two installers.

NOTE: Use parts from "Detailed Diagram of Glass Panel Components" for the glass panel assembly and installation.



1. Please locate and record the SKU numbers found on the packaging of both glass panels and door. You will specifically need all **Product Width** values to calculate your Shower Enclosure size.

SKU TO GLASS SIZE GUIDE

Product Width	Product Height
22"	72"



SHDR-GL2402-227210-HFR

Product Line	Glass	Model	Product Thickness	Glass Type
SHEN Shower Enclosure			10mm	No Code Clear
SHDR Shower & Tub Door				FR Frosted
				HFR Frosted Band

Example
SHDR-GL2402-227210-HFR
 Unidoor Plus Shower Door Glass Panel 22" x 72" x 10mm. Half-Frosted Band.

2. Please mark measurement lines on the wall and threshold for the **Glass Door** and **U-channel** according to the size of your model.

You will need to use the **Product Width** values determined in step #1 in Size Table A. **Please Note** that these dimensions are nominal dimensions and not actual glass sizes.

NOTE: M and L dimensions are from the finished wall to the outside of the U-channel as shown in Fig. 1.

M =	Door	+	Panel	-	1/8"
L =	Return Panel	+	7/16"		

Size Table A

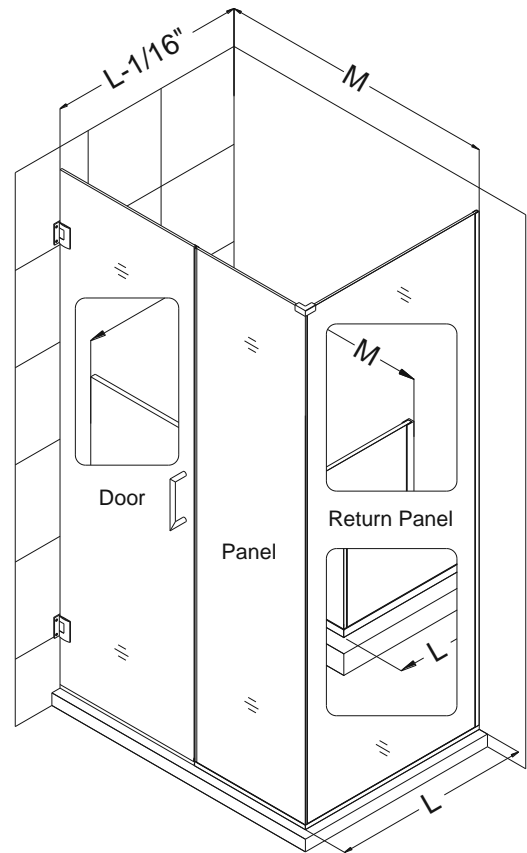


Fig. 1

NOTE: The Unidoor hinge is designed to over close 8°. The following procedure is recommended to ensure proper alignment of the panel glass and door.

3. Align the **Door** so that it is perpendicular to the wall and parallel to the threshold. Measure across the bottom span of the **Door** and threshold on the outside of shower and determine an equal value.

Mark a line on the threshold base on the handle side

See Fig. 2 for details.

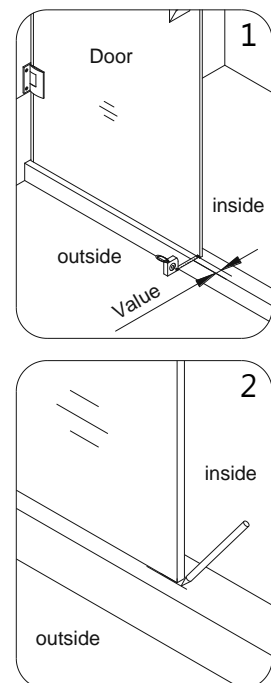


Fig. 2

4. Measure the actual width of your **Return panel glass (26)** panel.

NOTE: You will be doing straight and 45° cuts for this enclosure installation.

***All 45° cuts are from the outside dimension. (tip to tip)**

***It may be necessary to remove any burrs from the cut end of the U-channels with a metal file before placing the U-channel onto the glass.**

Use a miter saw to rough straight cut one of the **U-channel 2 (44", bottom profiles) (29)** to the actual width of the glass (+) 1-1/4".

See Fig. 3 & 4 for details.

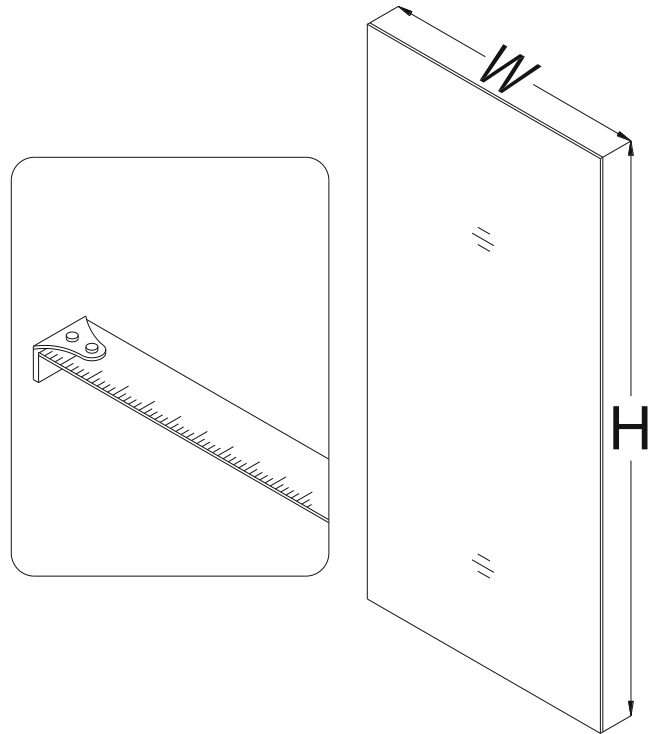


Fig. 3

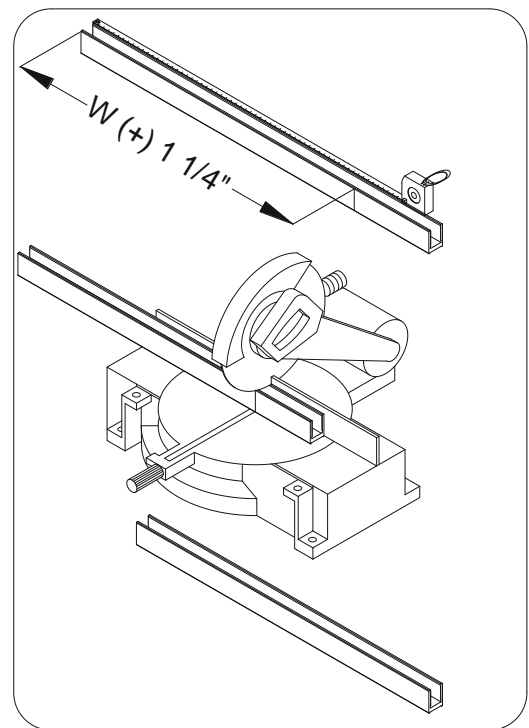


Fig. 4

5. Slip the cut **U-channel 2 (44", bottom profile) (29)** and uncut **U-channel 1 (76", wall profile) (09)** onto the **Return panel glass (26)** in the shown locations.

Insert three to four 2" pieces of the **Adjustment spacer (#28)** into the **bottom u-channel (#29)** as necessary to level the panel glass. (Fig.5.1)

With the door open, place the **Return panel glass** on the threshold adjacent to door and in line with the wall mark. Adjust the **Return panel glass** and **U-channel 1 (wall profile)** against the wall to compensate for any out of plumb conditions ensuring that the **Return panel glass** is level vertically and **U-channel 1** is flush with the wall.

Mark the **U-channel 2 (bottom profile)** end opposite of the wall at the exposed vertical glass edge.

Remove the **U-channel 2 (bottom profile)**. Leave the **U-channel 1 (wall profile)** on the **Return panel glass**. Set the **Return panel glass** aside.

Cut the **U-channel 2 (bottom profile)** 45° to the mark (+) 1/2". The end facing the wall will remain straight.

Slip the **U-channel 2 (bottom profile)** back onto the **Return panel glass** and set the **Return panel glass** aside.

See Fig. 5 for details.

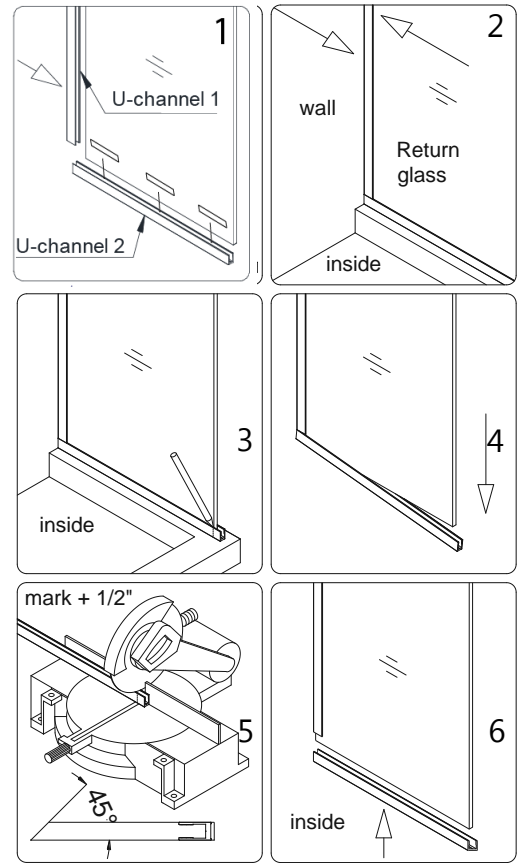


Fig. 5

6. Measure the actual width of your **Stationary glass (11)** panel.

Use a miter saw to cut the second **U-channel 2 (44", bottom profile) (29)** 45° to the actual width of the glass (+) 1/16".

See Fig. 6 & 7 for details.

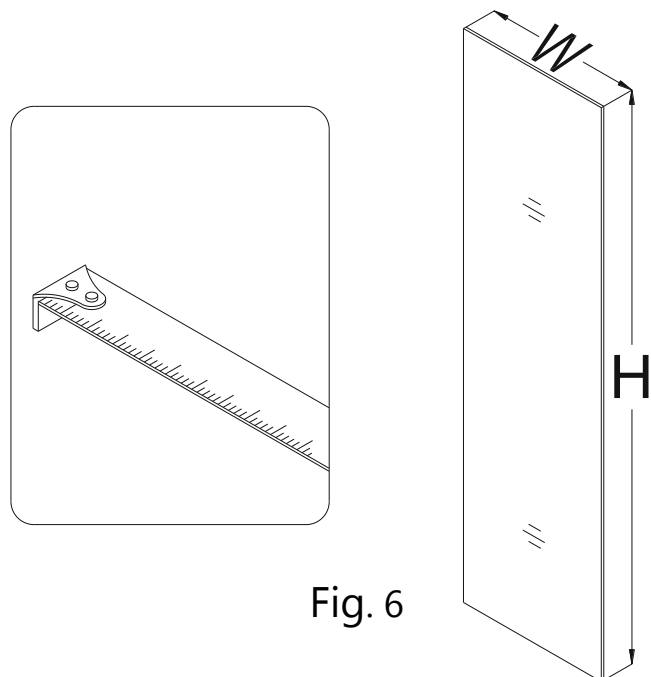


Fig. 6

NOTE: The top of the Enclosure glass must be level with the Glass door. By using a level across the top of both the In-line **Stationary panel glass (11)** and door, height differences can be measured. The **Adjustment spacers (28)** are provided for the **Return panel glass (26)** only to compensate for such differences by inserting them into the **U-Channel 2 (bottom profile) (29)**. Please use the correct spacer size that is needed for your situation.

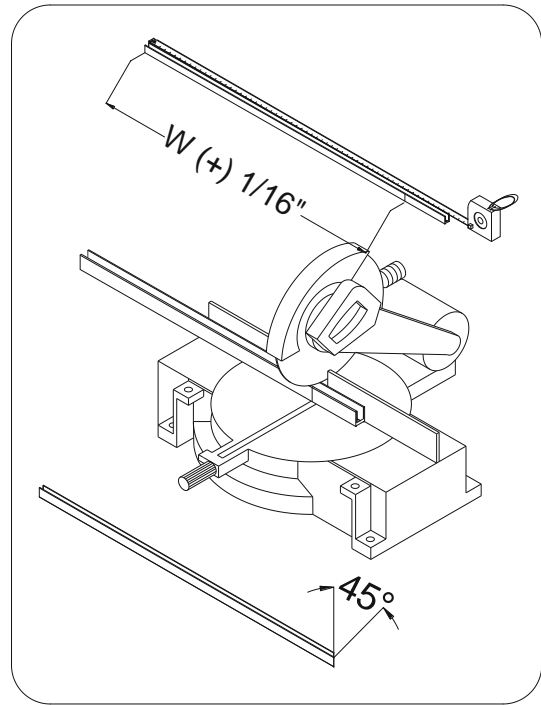


Fig. 7

- Slip the **U-channel 2 (44", bottom profile) (29)** onto the **Stationary glass (11)** and ensure that the straight end of the **U-channel 2** is flush with the vertical glass edge.

Press the **Anti-Water strip (inline panel) (19)** onto the vertical edge of the **Stationary glass** allowing the base of the **strip** to rest on top of the **U-channel**.

Carefully butt the **Stationary glass** and **Return panel glass (26)** together to form a tight corner from bottom to top. The **Stationary glass** will be in front of the **Return panel glass**.

While securely holding the two **glass panels**, attach the **90° Corner Bracket (30)** to the top corner. Ensure that the **90° Corner Bracket** is square and gaskets are aligned properly before tightening the glass holding screws.

Temporarily secure the bottom corner of the **glass panels** with a generous strip of **Painters tape**.

See Fig. 8 & 9 for details.

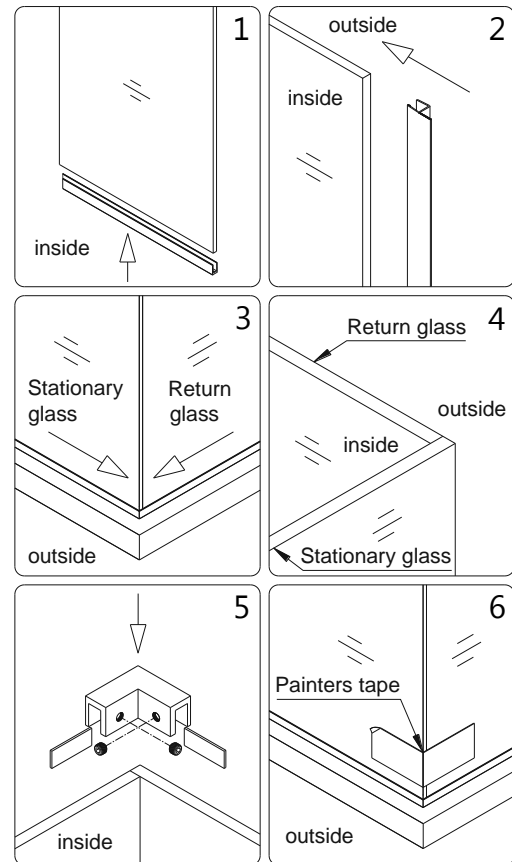


Fig. 8

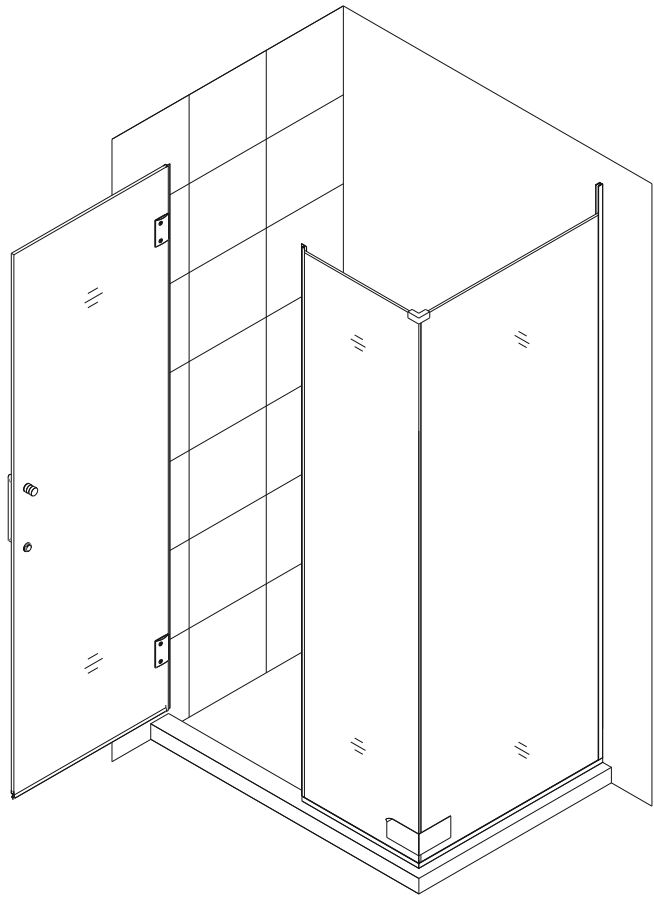


Fig. 9

NOTE: The next step involves careful handling of the glass panels that were just temporarily fixed together to determine a custom fit measurement unique to your installation. It is essential that two installers be used along with responsive communication.

- Carefully butt the **Return panel glass (26)** up against the wall vertically according to the **M** value stated in Size Table A on page 5. Intermittently use a level throughout these steps to ensure that this glass enclosure is leveled properly.

While securely holding the **glass panels**, close the **Glass Door** and align the **Stationary glass (11)** to it. Use the door mark on the threshold as a reference to ensure that the **Door** is perpendicular to the wall.

If needed, adjust the position of the **Stationary glass** and **Return panel glass** so that the **Anti-Water strip (inline panel) (19)** makes tight contact to the **Glass Door** from top to bottom. The **U-channel 1 (wall profile) (09)** will remain flush against the wall.

Outline the position of the **glass panels** along the inside bottom edge of all **U-channels** on the threshold and wall.

Mark the **U-channel 1 (wall profile) (09)** at the top horizontal glass edge.

See Fig. 10 for details.

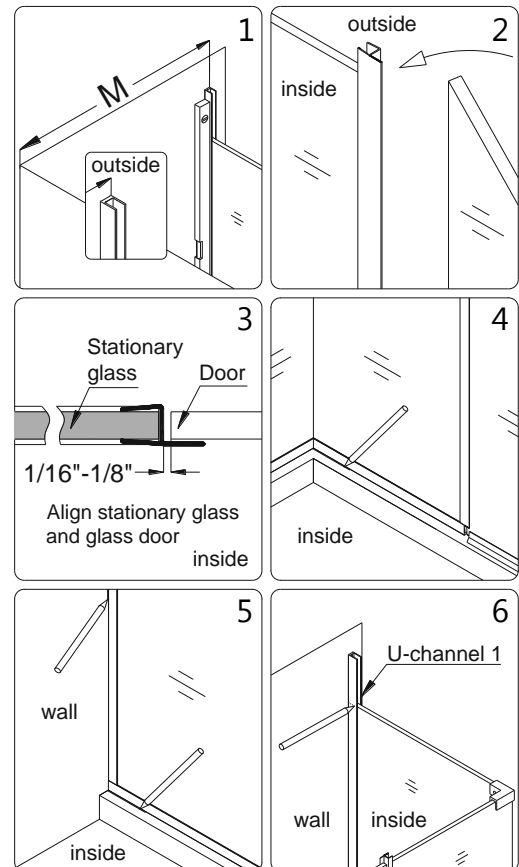


Fig. 10

9. Carefully disassemble the panels for the next steps.

See Fig. 11 for details.

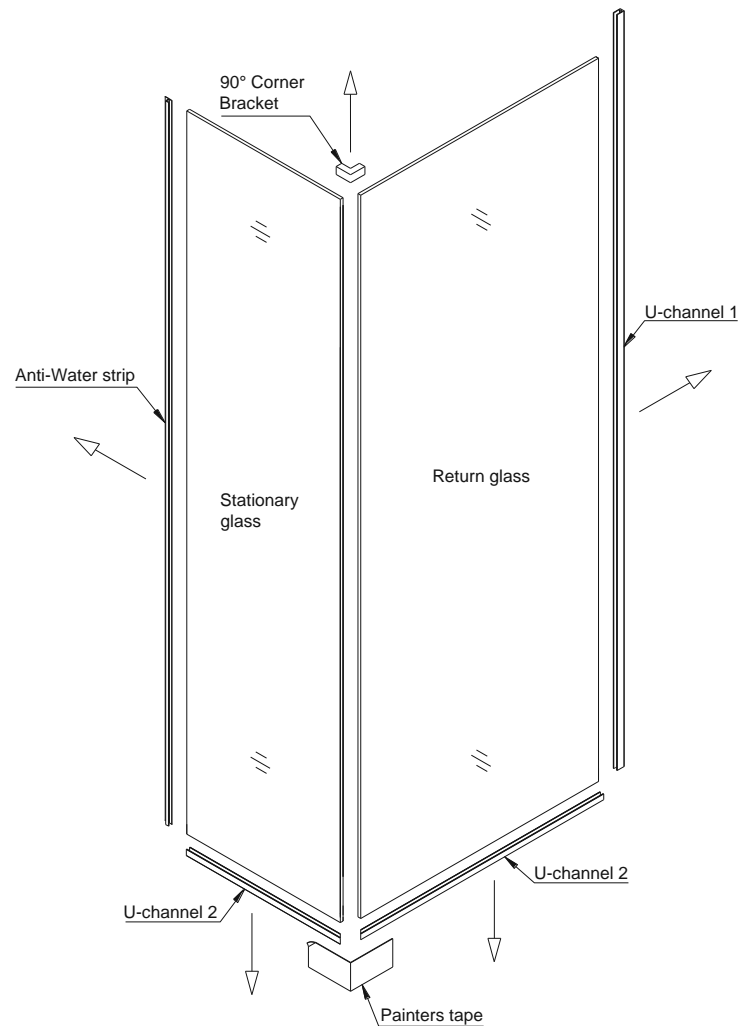


Fig. 11

10. Place the **U-Channel 2 (bottom profile) (29)** for the **Return panel glass (26)** onto the threshold base in line with the inside threshold mark.

Mark the drill holes on the threshold through the predrilled holes in the **U-Channel 2** and drill the holes using **Ø1/8" drill bit**.

Apply waterproof silicone along the bottom surface and around the holes of the **U-Channel 2** and fasten it to the base with the **Countersunk screws ST4.2×40 (23)**.

NOTE: The surface needs to be clean and free of debris before applying silicone.

See Fig. 12 & 13 for details.

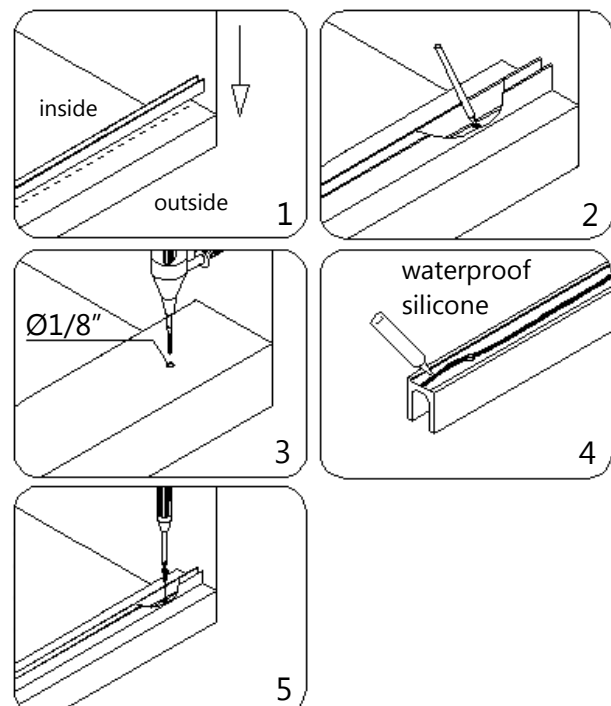


Fig. 12

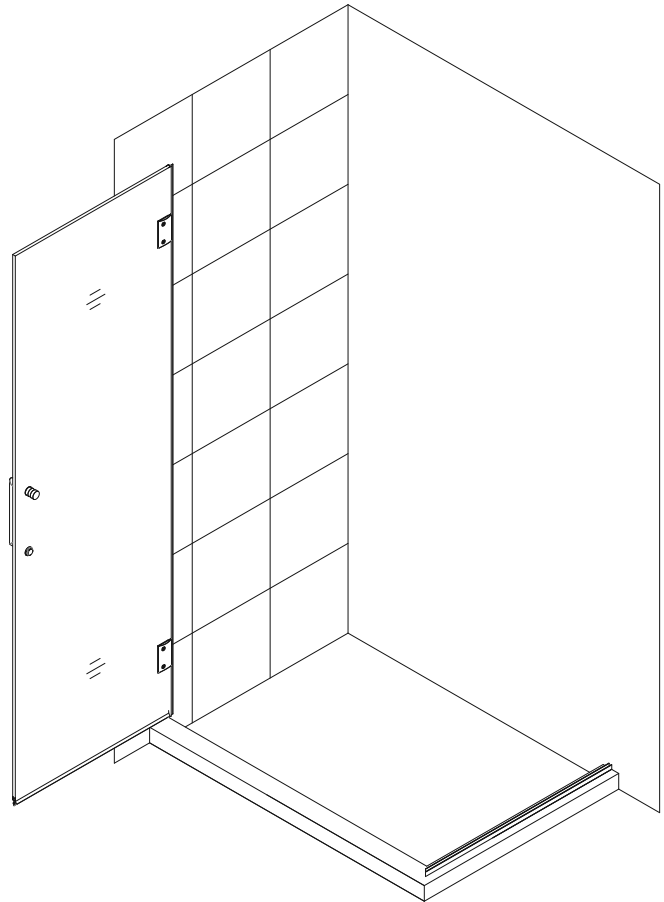


Fig. 13

11. Straight cut the **U-channel 1 (76", wall profile) (09)** at the top mark that was made in step #8.

Place the **U-Channel 1 (wall profile) (09)** on the **U-Channel 2 (bottom profile) (29)** and align vertically with the inside wall mark.

Mark the drill holes on the wall through the predrilled holes in the **U-Channel 1**.

Now drill holes in the wall using **Ø5/16 drill bit** and insert the **Ø5/16" Wall anchors (13)**.

See Fig. 14 for details.

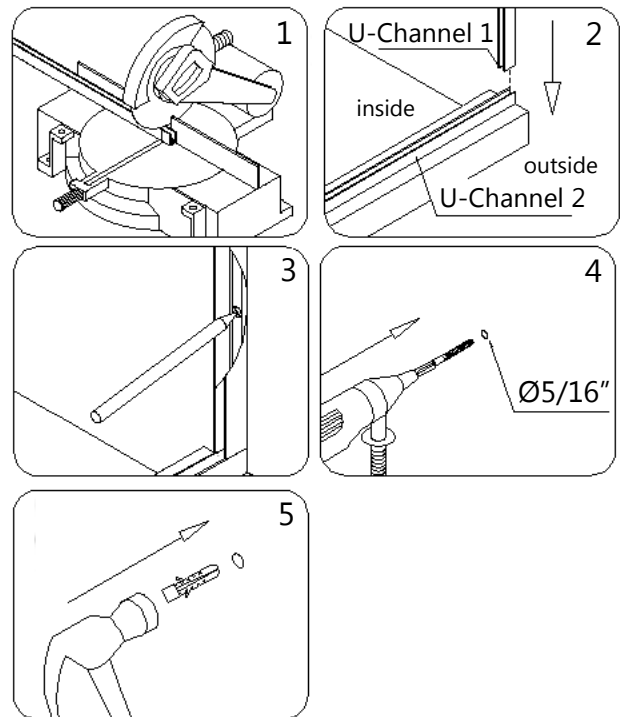


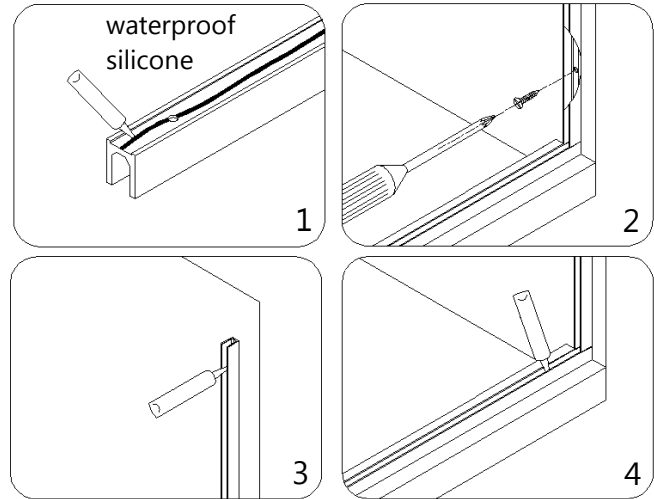
Fig. 14

12. Apply waterproof silicone along the bottom surface and around the holes of the **U-Channel 1 (76", wall profile) (09)**.

Fasten the **U-Channel 1** to the wall with the **Countersunk screw ST4.2x40 (23)**.

Insert the provided 2" pieces of the **Adjustment Spacers (28)** into **U-Channel 2 (bottom profile) (29)** for minor adjustments if necessary.

Apply Waterproof silicone into the groove of both **U-Channels**.



See Fig. 15 & 16 for details

Fig. 15

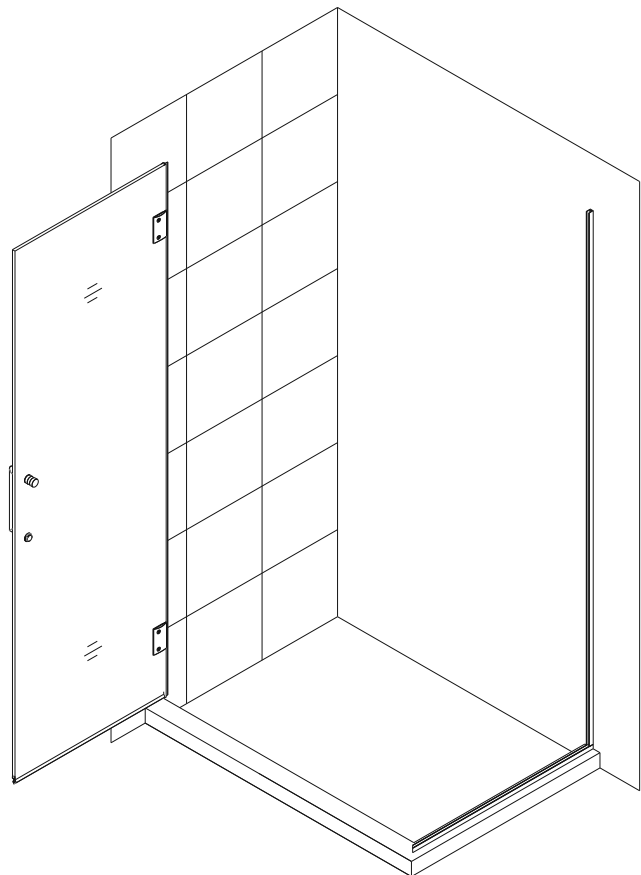


Fig. 16

13. Slide the **Return panel glass (26)** into the groove of both **U-Channels**.

NOTE:

If you have difficulty sliding the **Return panel glass** into the **U-Channels**, you can slightly tap on the **Return panel glass** with a rubber mallet and a piece of wood.

See fig. 17 & 18 for details.

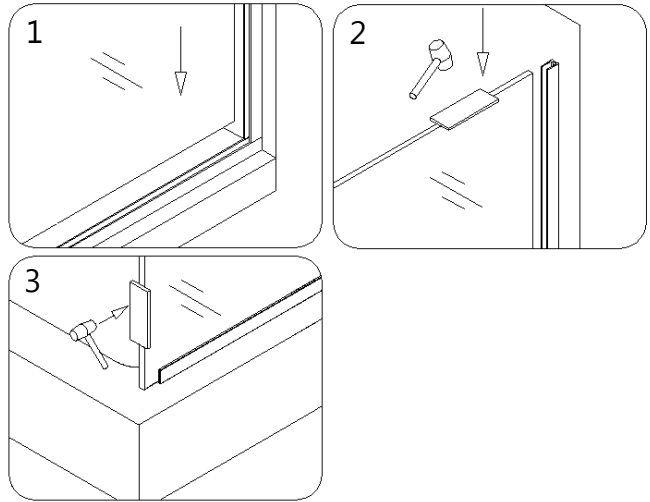
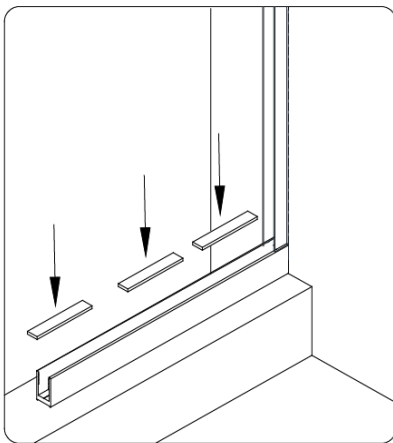


Fig. 17



Use Adjustment spacers (#28)
as necessary to level your glass

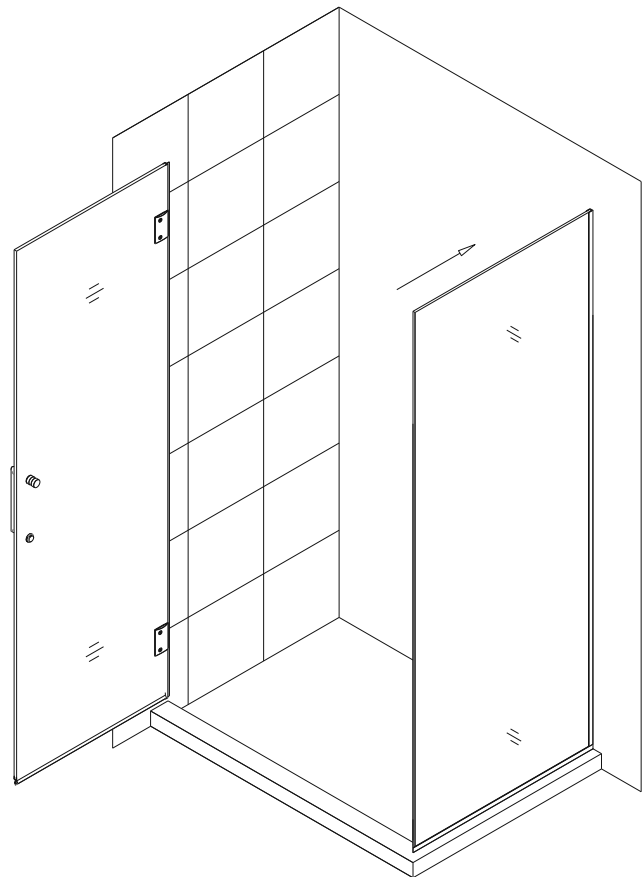


Fig. 18

14. Place the **U-Channel 2 (bottom profile) (29)** for the **Stationary glass (11)** onto the threshold base in line with the inside threshold mark and flush with 45° corner cut.

Mark the drill holes on the threshold through the predrilled holes in the **U-Channel 2** and drill the holes using **Ø1/8" drill bit**.

Apply waterproof silicone along the bottom surface and around the holes of the **U-Channel 2** and fasten it to the base with the **Countersunk screws ST4.2×40 (23)**.

NOTE: The surface needs to be clean and free of debris before applying silicone.

See Fig. 19 & 20 for details.

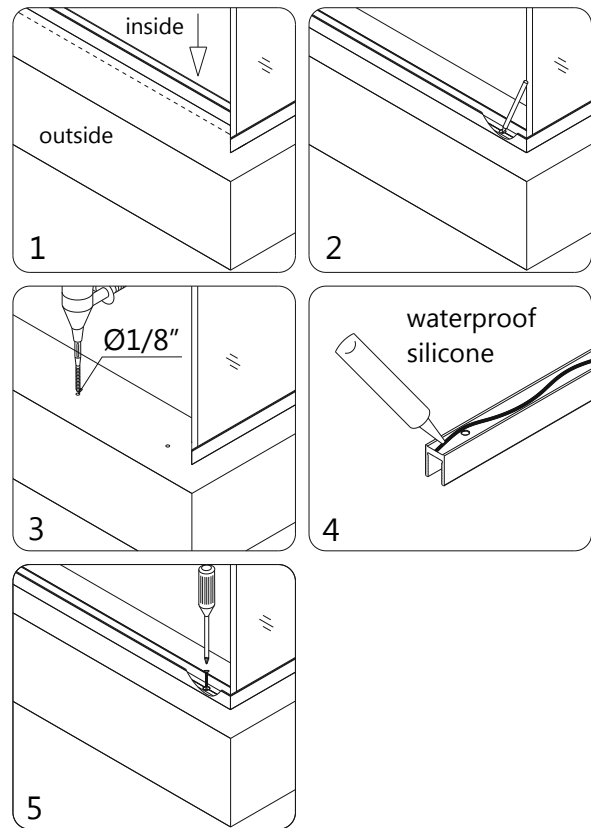


Fig. 19

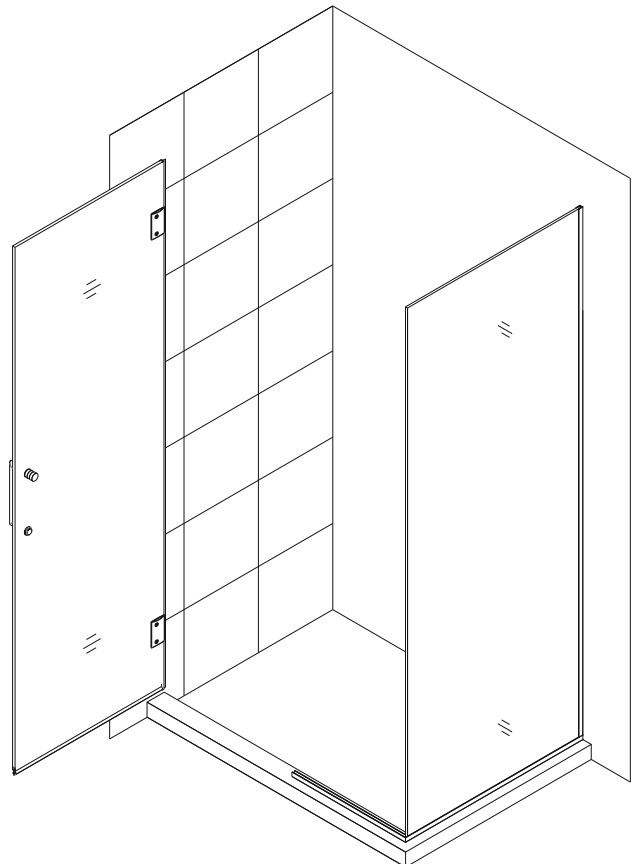


Fig. 20

15. Apply Waterproof silicone into the groove of the **U-Channel 2 (bottom profile) (29)** and sparingly along the vertical edge of the **Return panel glass (26)**.

See Fig. 21 & 22 for details.

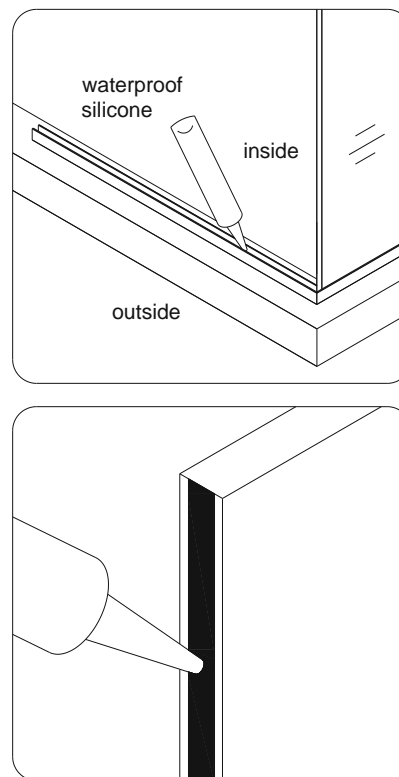


Fig. 21

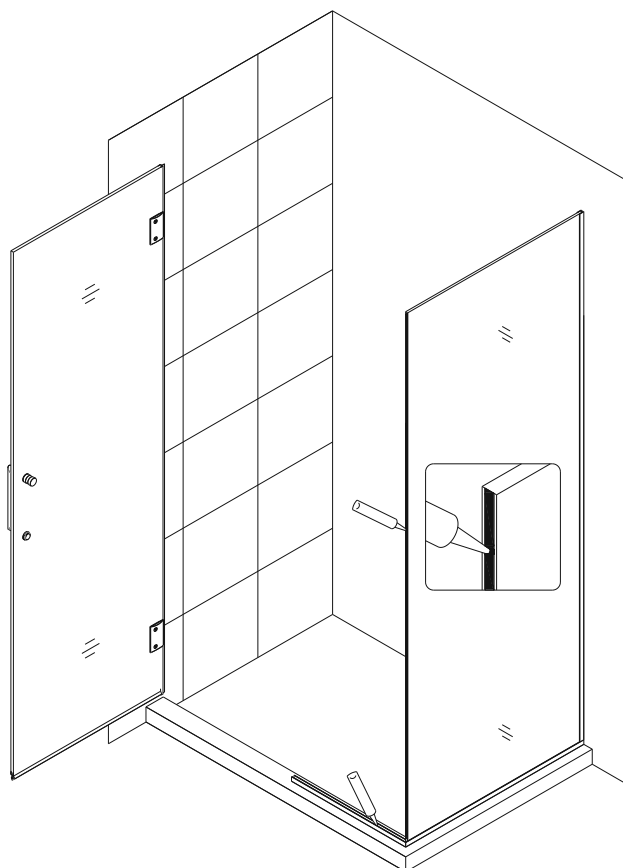


Fig. 22

16. Slide the **Stationary glass (11)** into the groove of the **U-Channel**. Make sure the vertical edge of the **Stationary glass** is flush with outer face of the **Return panel glass (26)** at the corner.

Apply a bead of silicone on the open end of the **U-Channel**, and its connection.

NOTE:

If you have difficulty sliding the **Stationary glass** into the **U-Channel**, you can slightly tap on the **Stationary glass** with a rubber mallet and a piece of wood.

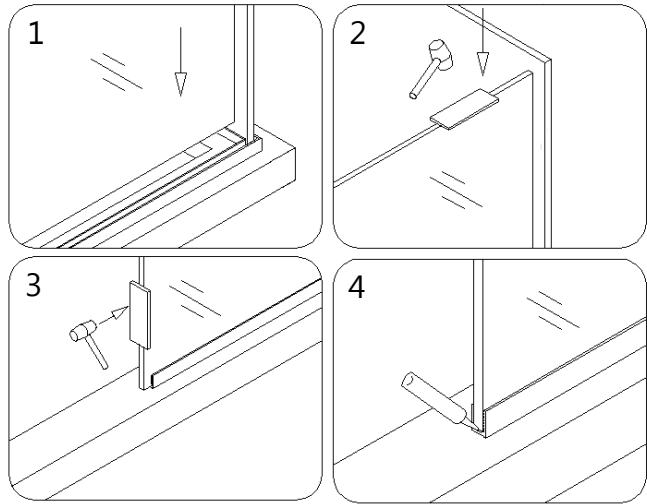


Fig. 23

See fig. 23 & 24 for details.

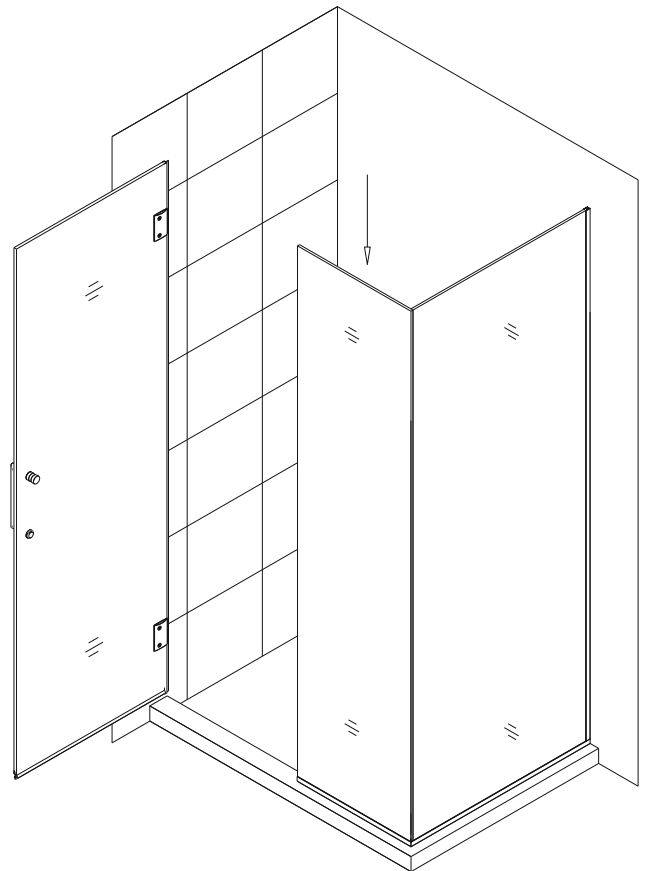


Fig. 24

17. Attach the **90° Corner Bracket (30)** to the top corner of both **glass panels**. Ensure that the **90° Corner Bracket** is square and gaskets are aligned properly before tightening the glass holding screws. Temporarily secure the corner of the **glass panels** with several generous strips of **Painters tape** to keep the corner tight until the silicone cures.

See fig. 25 & 26 for details.

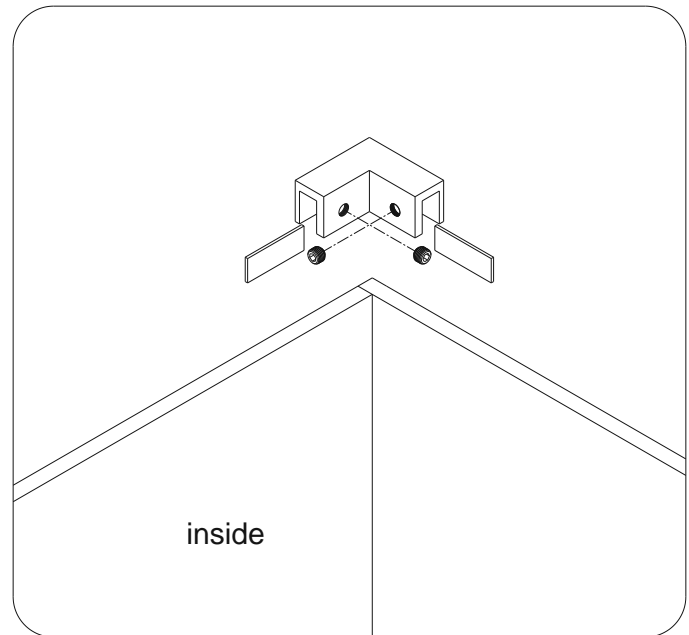


Fig. 25

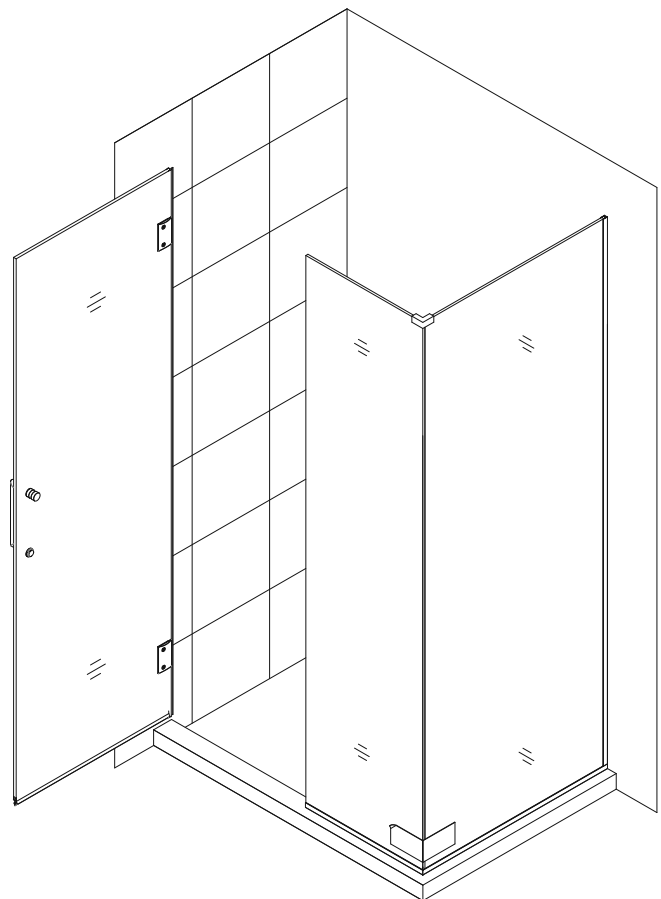


Fig. 26

18. Apply waterproof silicone along the connection of all **U-Channels** to the wall and threshold on the inside of shower. Carefully apply an even bead of silicone down the inside corner of the **glass panels**.

See Fig. 27 & 28 for details.

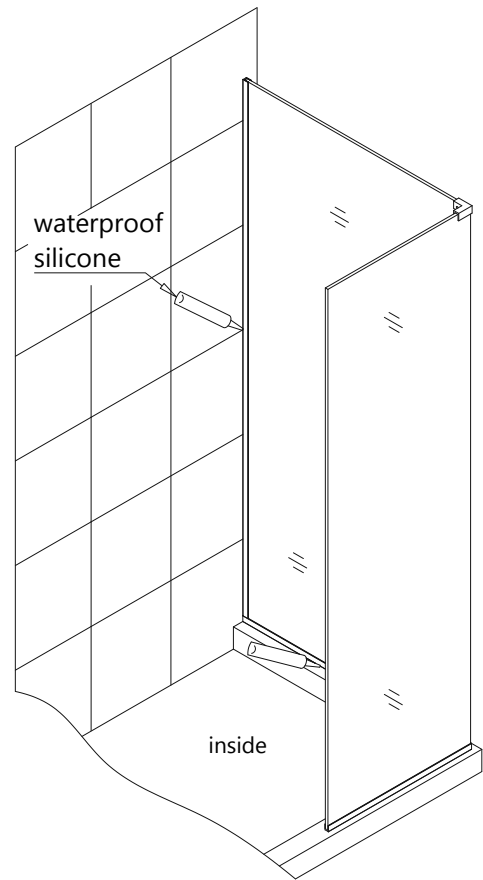


Fig. 27

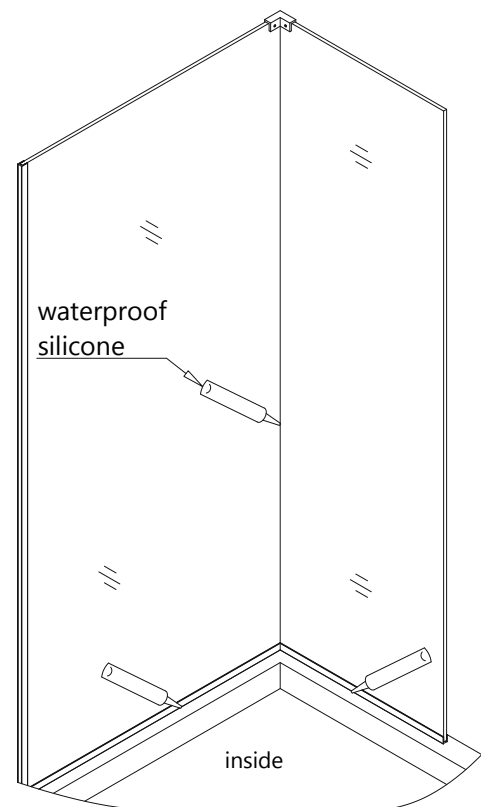


Fig. 28

19. Notch the **Anti-Water strip (inline panel)** (19) 1" at the base to fit around bottom **U-channel**. Press the **Anti-Water strip** onto the vertical edge of the **Stationary glass (11)**.

See Fig. 29 for details.

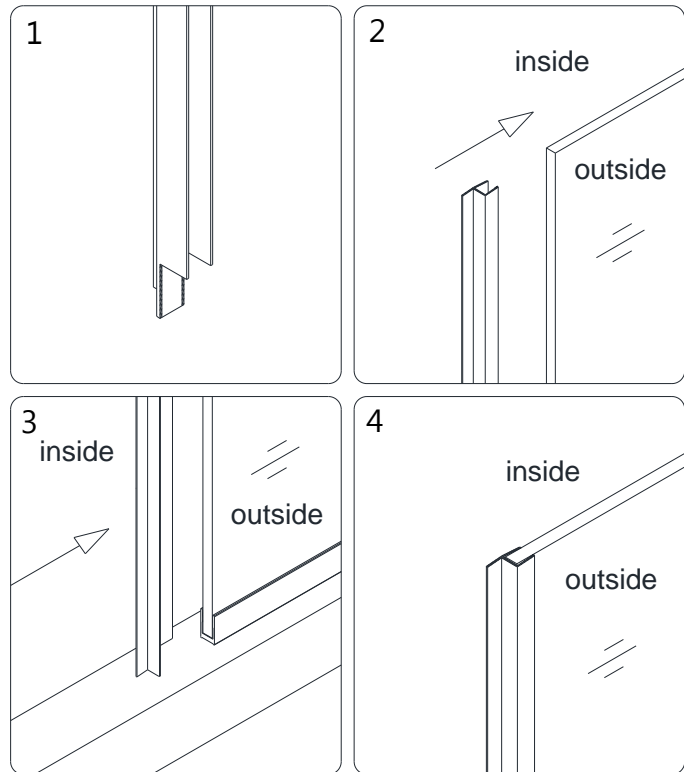


Fig. 29

Product Maintenance

BASES and BACKWALLS: To ensure a long life for your acrylic back walls: wipe them off after each use with a soft cloth. To clean the acrylic back walls use non-abrasive sprays or cream based cleaners. Never use abrasive cleansers, metal brushes or scrapers that could scratch or dull the surface.

GLASS: To ensure long lasting life for your glass shower products: wipe them off after each use with a soft cloth. Rinse and wipe off the glass using either a soft cloth or a squeegee to prevent soap buildup and water spots. To prevent scratching the surface: never use abrasive cleaners and cleaning products that contain scouring agents. Never use bristle brushes or abrasive sponges.

HARDWARE: To ensure a long lasting finish: wipe off the metal parts after each use with a soft cloth. Do not use abrasive cleaners or cleaning products containing ammonia, bleach or acid. If accidentally used, rinse the surface as soon as possible to prevent finish peeling or corrosion. After cleaning the shiny finishes, rinse thoroughly and wipe dry with soft cloth. Clean stainless steel surfaces at least once a week. When applying stainless steel cleaner or polish, work with (not across) the grain. Never use abrasive sponge or cloth, steel wool or wired brushes.

Style "I":

Half Etched Glass Installation

NOTE: This model features the half etched glass option. Hinged Left installation shown. To install for hinged Right, flip the door to the proper handing.

-The textured surface of the return panel glass, stationary glass and glass door should face out.

See Fig. 30 for details.

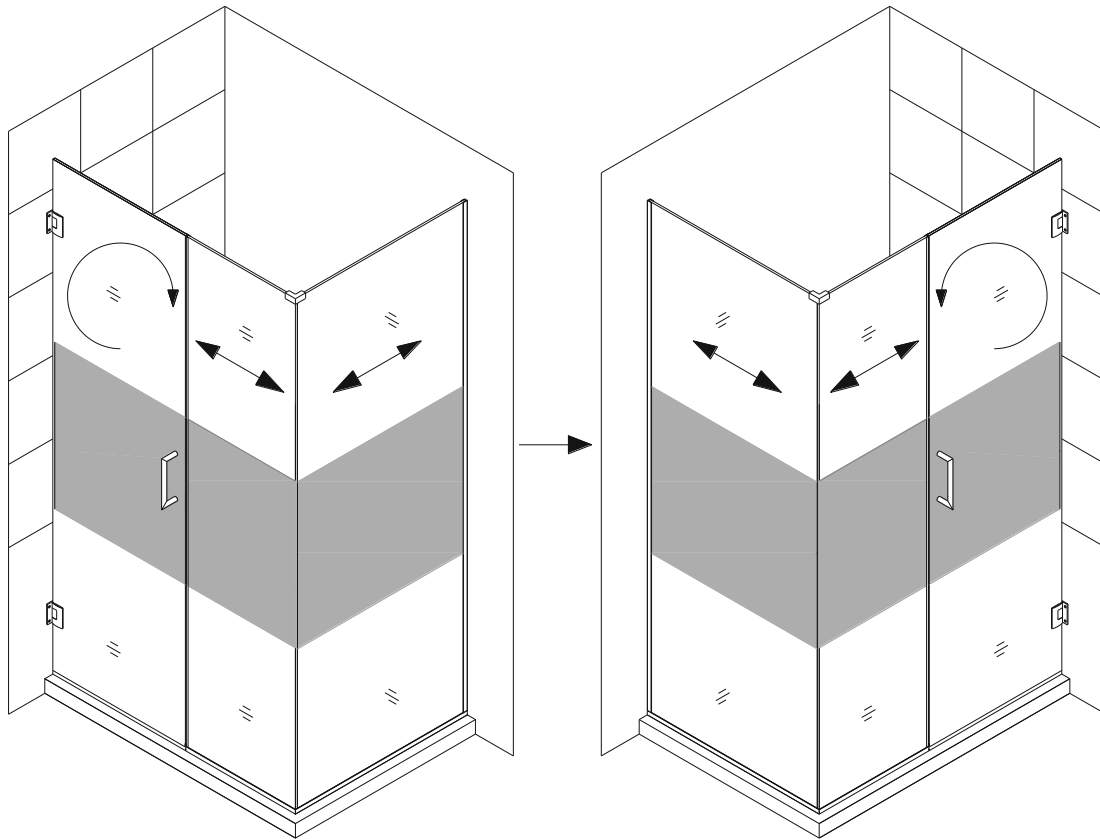


Fig. 30



TEL: [866-731-2244](tel:866-731-2244)

FAX: [866-857-3638](tel:866-857-3638)

www.BATHAUTHORITY.COM

For more information on [DreamLine™ Shower Doors](#) and [Enclosure](#) please visit www.BathAuthority.com