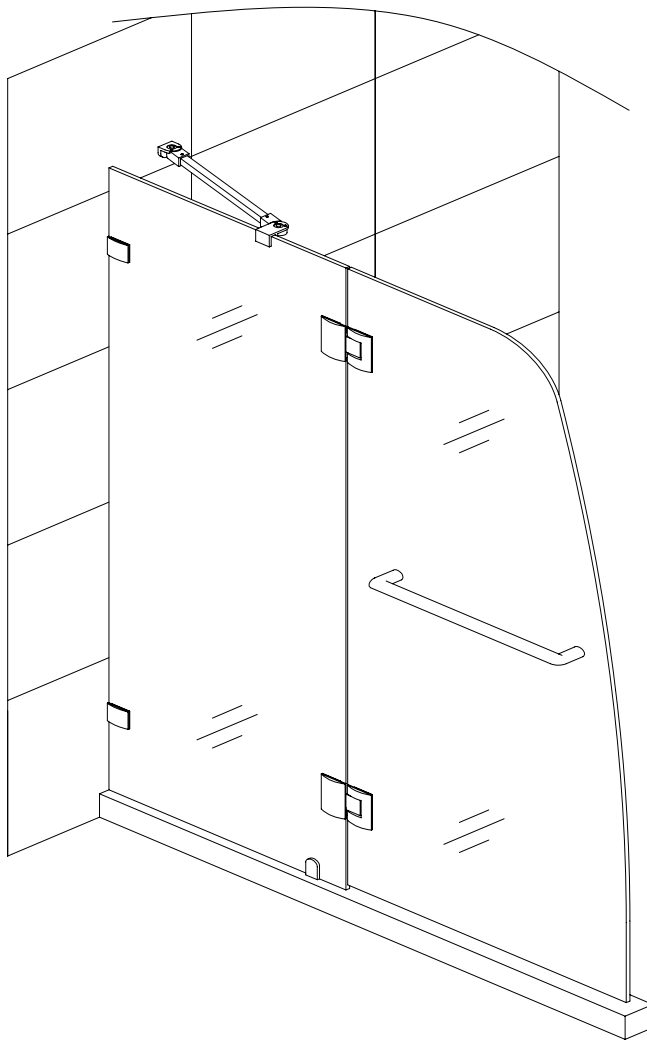




## **AQUA LUX Shower / Tub Door Installation Manual**

### **Important**

Please read carefully the following instructions before installing your shower door. If you have any questions on this shower door installation, please call our technical support specialists Monday to Friday 9:00AM – 5:00PM EST at 1-866-731-8378 Option 3 or e-mail our technical support group at [support@BathAuthority.com](mailto:support@BathAuthority.com)

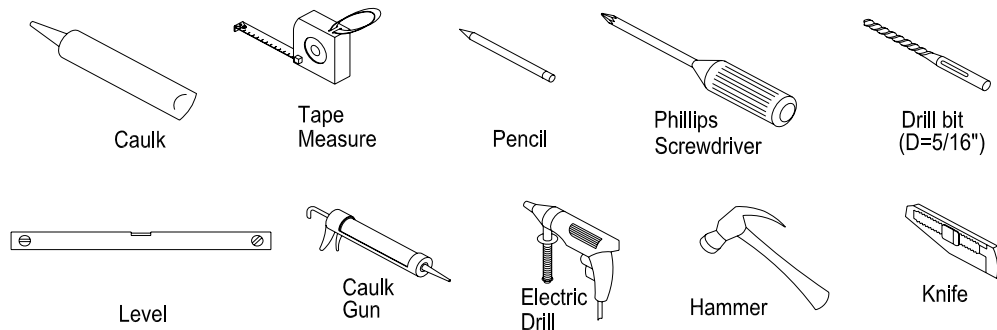


**Our product may have changes without prior notice**

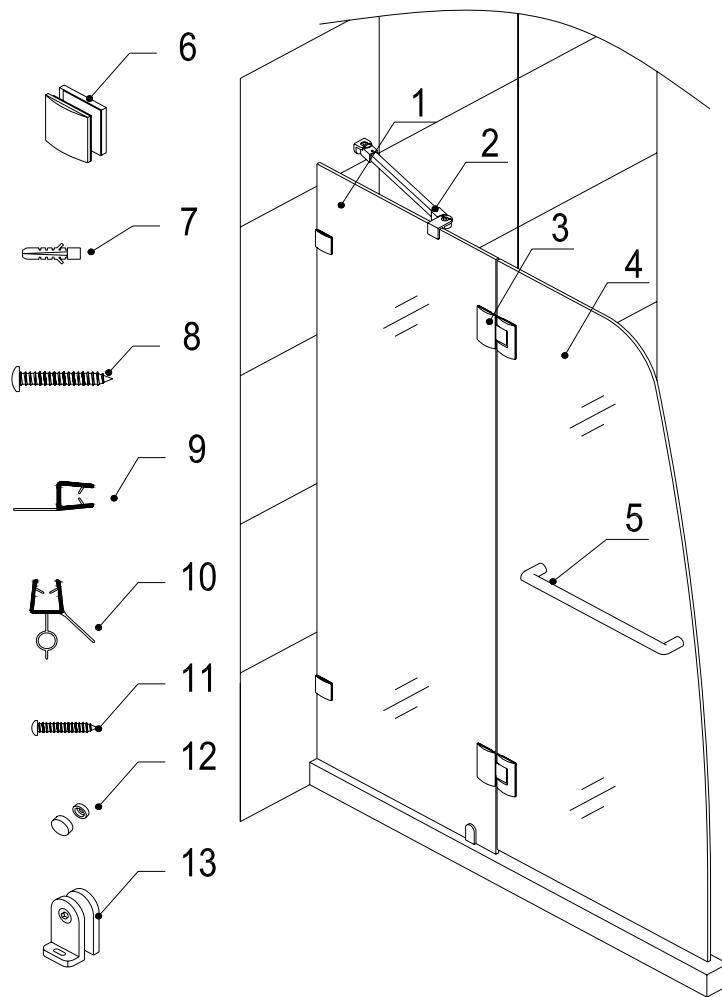
## Preparation

1. After opening the boxes, read this introduction carefully, check all the packed parts are complete by cross checking all the components against the "Detailed Diagram of Shower Door Components". Examine for shipping damage. If the unit has been damaged or has a finishing defect, please contact your local distributor within 3 business days. Please note that **Bath Authority™ / DreamLine™ will not replace any damaged product or parts free of charge after 3 business days or if the product has been installed.** Contact your distributor or DreamLine if you have any questions.
2. **Please note that you should consult your local building codes on questions on installation compliance standards. Building and plumbing codes vary by location, and DreamLine is not responsible for code compliance standards for your project.**
3. Please ensure that prior to the installation the floor is leveled and solid. Also make sure the walls are at right angles. While some adjustment in leveling of the door is possible, irregular floor level or improper angle of side walls will result in serious problems for your installation. Please note that there are some adjustments and drilling might be necessary during the installation process.

## Tools Required



## Detailed Diagram of Shower Door Components



### Packing List

01	Stationary glass	1pc	08	Screw ST 4.2x30	3pcs
02	Support bar	1pc	09	Side strip ( 3 sections to cut)	1pc
03	Hinge	2pcs	10	Bottom anti-water strip	1pc
04	Glass door	1pc	11	Round head screw ST 4.2x25	1pc
05	Handle	1pc	12	Decorative cover	1pc
06	Wall Bracket	2pcs	13	Bottom bracket (for 72" glass only)	1pc
07	Wall Anchor	3pcs			

**Note: Bracket (16) is only applicable for 72" shower door installation to the threshold or shower tray. If your unit is installed on a bathtub, then you don't need this bracket.**

**After you have checked that all components are there, you will be ready to start the installation of your DreamLine shower door.**

## Installation

1. Take out **Stationary glass panel (01)** from the package and find the **Wall Brackets (06)**. Attach **Wall Brackets** to the glass panel. Note that the parts of the **Wall Brackets** with the mounting holes should face inward so that when glass panels are in place, mounting bolts are only visible from the inside. See fig. 1 for details.
2. Place the **Stationary glass panel** with attached **Wall Brackets** to the designated position on the threshold or tray, make sure it's leveled and plumbed and **mark** the position of the **Wall Brackets** on the wall. See Fig. 2 for details.  
**Be sure that the Stationary glass panel is absolutely vertical.**
3. Take the glass panel from the threshold and remove the **Wall Brackets**.
4. Using the removed **Brackets**, mark the position of the holes for **Wall Bracket** installation on the wall. Drill the holes and insert the **Wall Anchors (07)** into the holes. Attach the **Wall Brackets** to wall using the **Round head screw ST 4.2x30 (08)**. See Fig. 3 for details. (**Note that all parts of the wall brackets with the mounting holes should face inward in final installation**).
5. Place the **Stationary glass panel** against the installed **Brackets** and secure it to the wall by attaching the fastening parts of the **Wall Brackets** to the mounted parts with the supplied screws.  
**Note that the hole in the 72" stationary glass for tray and threshold installation should be at bottom.**
6. Locate the **Support bar (02)** from the package and loosen the glass holding screw on the gliding channel. Place the **Support bar** with the channel end on the glass top edge and the bracket end flat on the wall. Adjust the bar to a proper position and level it horizontally. Hold it firmly and outline the bracket's position on the wall with a pencil. Take off the **Support bar** and remove the bracket from it. Place the bracket against its position on the wall and mark the position for the drill hole. Drill the hole, insert the anchor and attach the bracket onto the wall with **Screw ST 4.2x30 (08)**. Replace the **Support bar** with channel seated on the glass and the other end underneath the bracket. Attach it to the bracket with the set-screw provided. Straighten the bar and fasten both set-screws and the glass holding screw to secure the glass. See fig. 4, 5 for details.
7. Install the **Hinges (03)** onto the stationary glass with the decorative non-screw side facing outwards. Hook the **Glass door (04)** from inside. See fig. 6 for details.
8. Mount the **Handle (05)** onto the door. Measure the distance between the top edge of the glass door and upper edge of the top hinge. Cut the piece off the **Side strip (09)** with a knife in the length according to your measurement. Repeat it to prepare the short strip for the lower section of the glass door. Then measure the distance between the bottom edge of the top hinge and the upper edge of the bottom hinge and cut the rest of the strip to size. Open the door to its full section and push all the strip lengths onto the vertical edge of the glass door. Push the **Bottom anti-water strip (10)** on the bottom edge of the glass door. See fig. 7 for details.
9. Attach the **Bottom bracket (13)** on the stationary glass and mark a hole in the threshold or tray through the slotted hole of the **Bracket**. Remove the **Bracket**, insert **Anchor (07)**. Then reinstall the **Bracket** and screw it onto the threshold or tray with the **Round head screw ST4.2x25 (11)** and cover it with the **Decorative cover (12)**. See fig. 8 for details.  
**NOTE: The Bottom bracket (13) is only applicable for 72" shower door installation (to the threshold or the shower tray). If your unit is being installed to the bathtub, then you do not need this bracket.**
10. Seal with caulk (recommended 100% clear silicone) inside and outside along the bottom of the stationary glass and between the wall and the wall bracket. See fig. 9 for details.

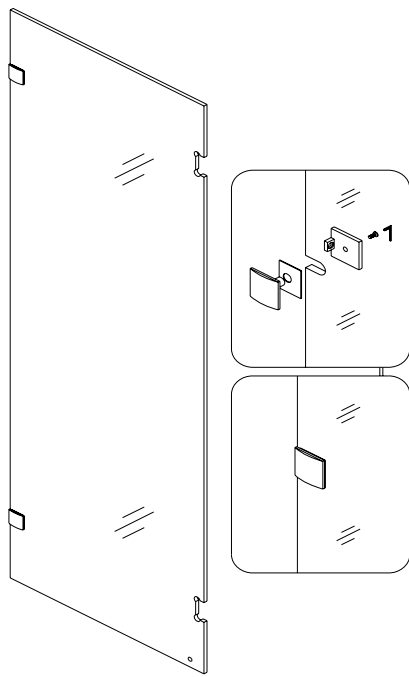


fig. 1

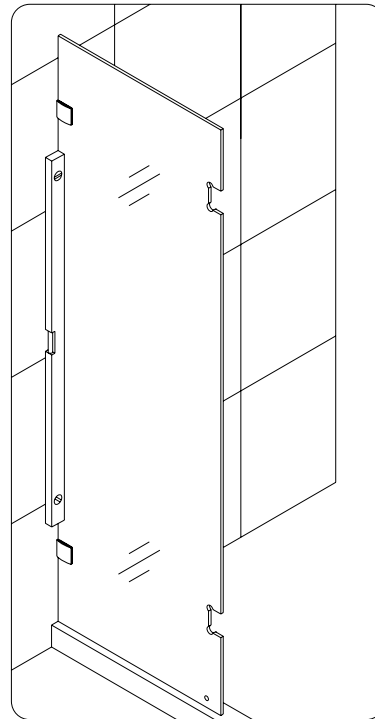


fig. 2

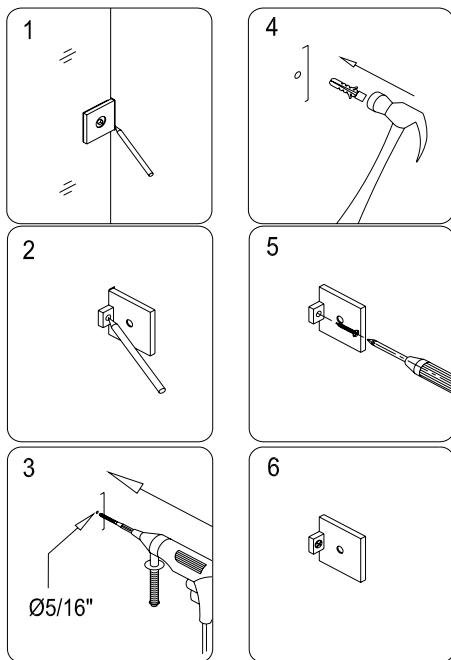


fig. 3

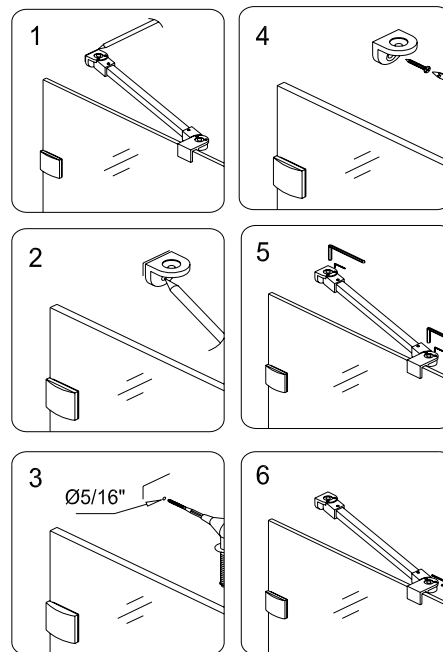


fig. 4

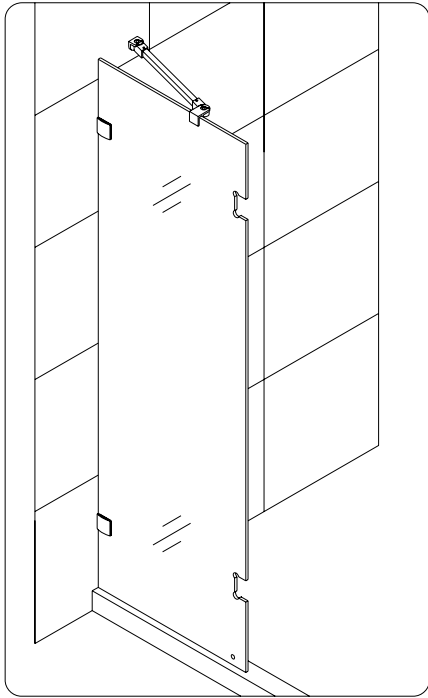


fig. 5

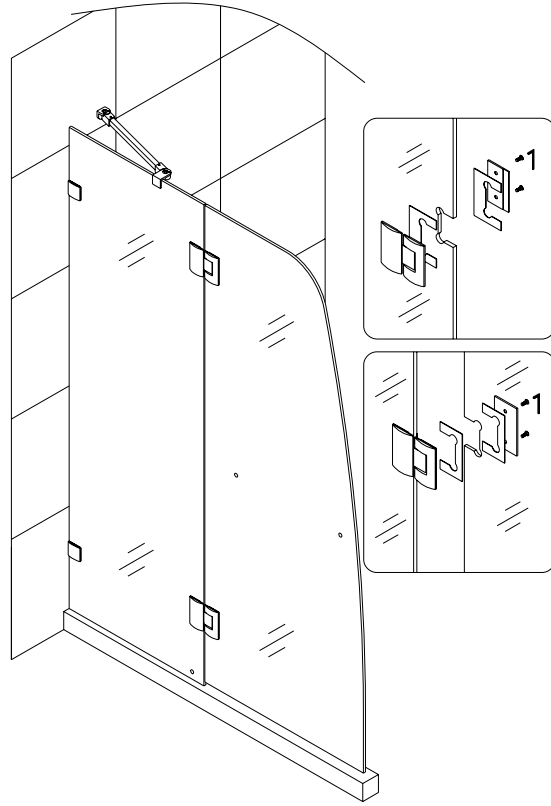


fig. 6

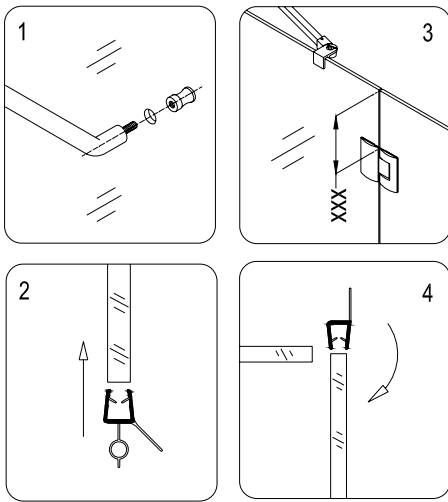


fig. 7

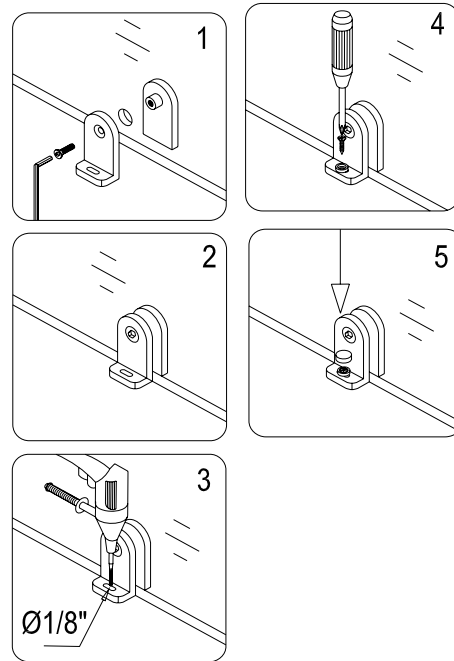


fig. 8

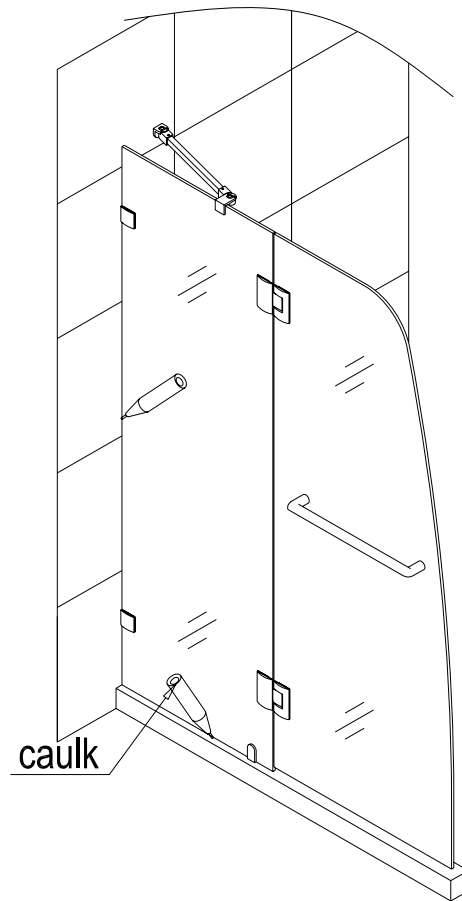


fig. 9

## **Maintenance**

1. Tempered glass can be cleaned with nonabrasive bathroom cleaner or any glass cleaner you use elsewhere in your home. Rinse off any glass cleaner that gets on the metal parts as soon as possible to avoid damage to the metal surface. Avoid striking it with any sharp or hard objects. Such damage can cause either immediate or delayed breakage of tempered glass.
2. The metal parts in your shower door are durable and resistant to water damage. It is advisable, but not necessary to wipe it with your towel after you shower. Clean it as often as needed to keep the buildup off. Never use any type of abrasive cleaner. Use only a soft damp cloth and nonabrasive bathroom cleaners.