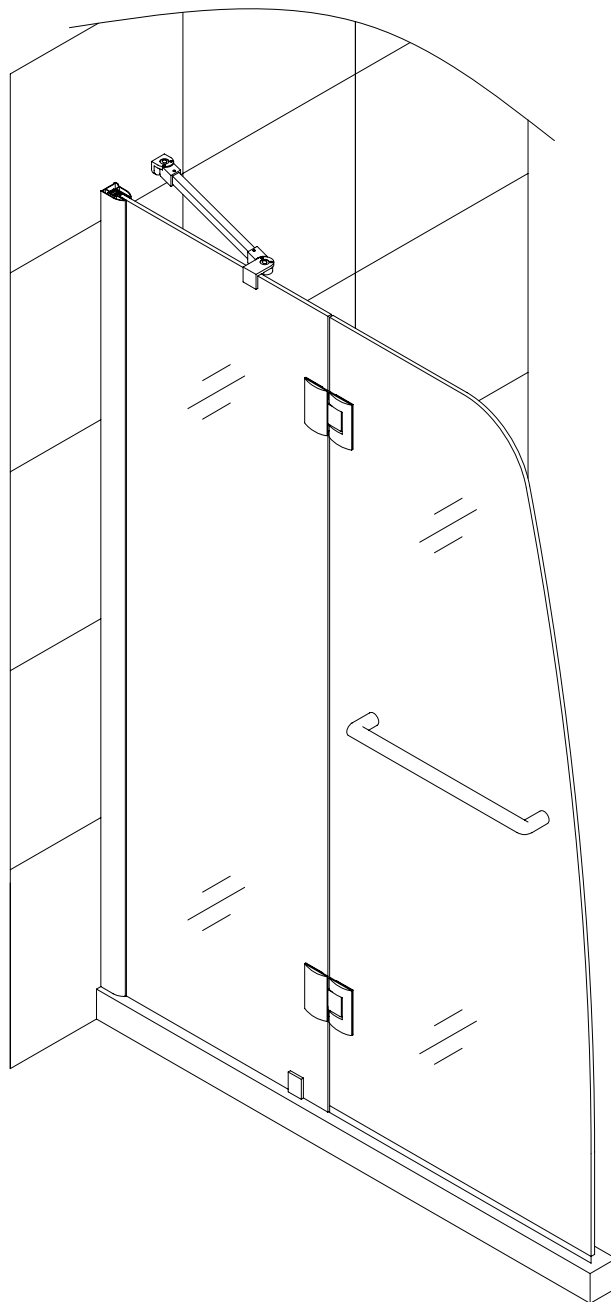




AQUA PLUS Shower / Tub Door Installation Manual

Important

Please read carefully the following instructions before installing your shower door. If you have any questions on this shower door installation - please call our technical support specialists Monday to Friday 9:00AM – 5:00PM EST at 1-866-731-8378 Option 3 or e-mail our technical support group at support@BathAuthority.com

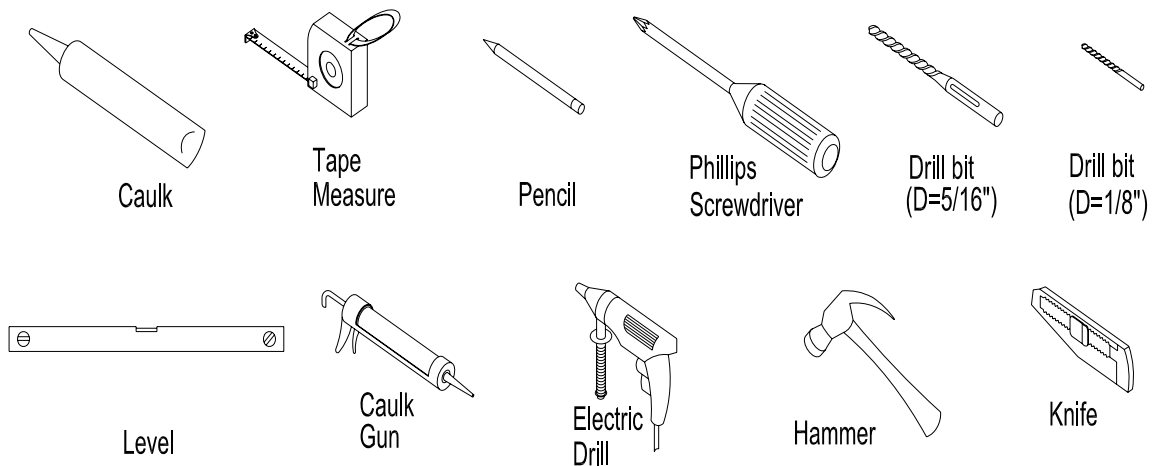


Our product may have changes without prior notice

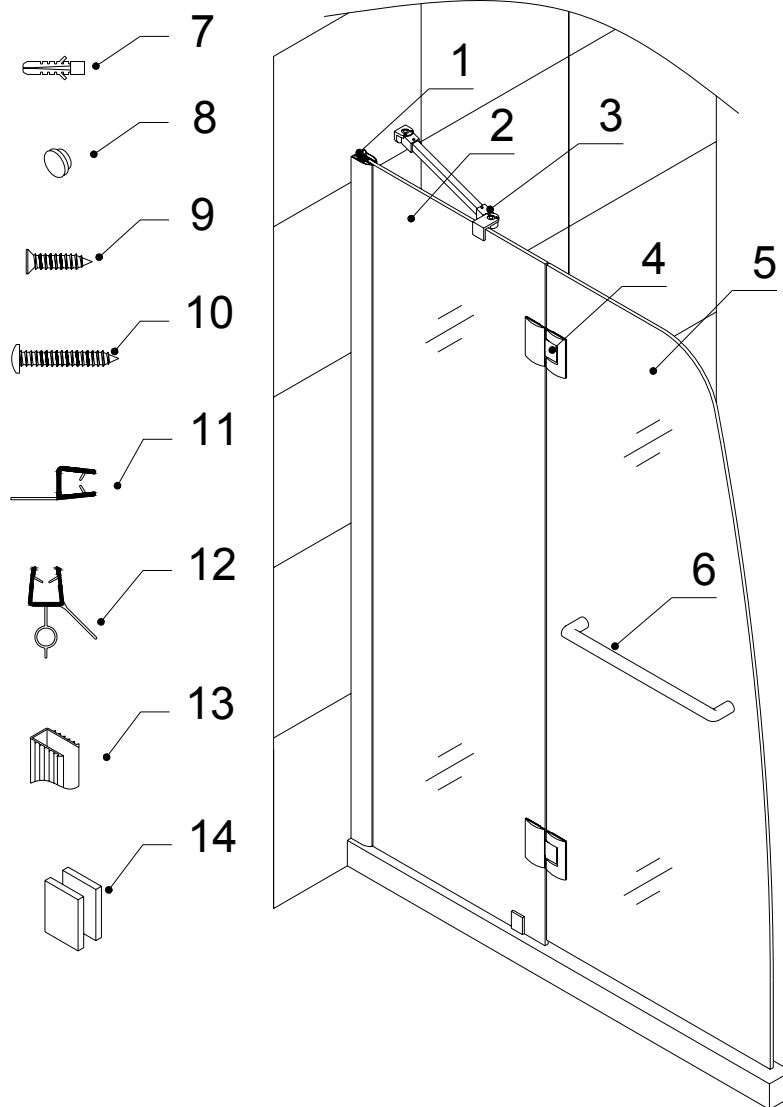
Preparation

1. After opening the boxes, read this introduction carefully, check all the packed parts are complete by cross checking all the components against the “Detailed Diagram of Shower Door Components”. Examine for shipping damage. If the unit has been damaged or has a finishing defect, please contact your local distributor within 3 business days. Please note that **Bath Authority™ / DreamLine™ will not replace any damaged product or parts free of charge after 3 business days or if the product has been installed.** Contact your distributor or DreamLine if you have any questions.
2. Please note that you should consult your local building codes on questions on installation compliance standards. Building and plumbing codes vary by location, and DreamLine is not responsible for code compliance standards for your project.
3. Please ensure that prior to the installation the floor is leveled and solid. Also make sure the walls are at right angles. While some adjustment in leveling of the door is possible, irregular floor level or improper angle of side walls will result in serious problems for your installation. Please note that there are some adjustments and drilling might be necessary during the installation process.

Tools Required



Detailed Diagram of Shower Door Components



Packing List

01	Wall and glass profiles	1 set	08	Decorative plug	4pcs
02	Stationary glass	1pc	09	Countersunk screw ST 4.2×18	4pcs
03	Support bar	1pc	10	Round head screw ST 4.2×30	6pcs
04	Hinge	2pcs	11	Side strip	1pc
05	Glass door	1pc	12	Bottom anti-water strip	1pc
06	Handle	1pc	13	U-shape seal gasket	1pc
07	Wall anchor	5pcs	14	Screw inside Bottom bracket	1pc

After you have checked that all components are there, you will be ready to start the installation of your DreamLine shower door.

Installation

1. Remove the **Wall profile (01)** (this is the external part of the wall and glass profiles set with no holes along the surface side) and place it against the wall on the threshold in the designated position. Note that this part of the profile piece should be fastened as shown in Fig.1. Make sure it's leveled and plumbed. Mark the drill holes on the wall. Drill the holes, insert **Wall Anchors (07)** and attach the external profile wall profile to the wall with the **Screw ST4.2×30 (10)**. See Fig.1 for details.
2. a) Locate the **Stationary glass panel (02)** from the package and push the **U-shape seal gasket (13)** onto the vertical edge of the stationary glass. Set the glass panel onto the threshold, tray or bathtub, push it into the groove of the profile and then snug it down with internal **Glass Profile (01)** with **Countersunk screw ST 4.2×18 (09)**. See Fig.2 (Images 1-4) for details.
b) Take apart the **Bottom bracket (14)**, place the mounting part into the U shape hole of the **Stationary glass panel (02)** from inside and mark the drill hole on the threshold, tray or bathtub. Remove the **Stationary glass panel (02)**, drill the hole and fix the **Bottom bracket (14)** with **Round head screw ST4.2×30 (10)**. See Fig.2 (Images 5-8) for details.
3. Fasten the **Stationary glass panel (02)** in the wall profile. Assemble the **Bottom bracket (14)**, cover it with **Decorative plug (08)**. See Fig.3 for details.
4. Locate the **Support bar (03)** from the package and loosen the glass holding screw on the gliding channel. Place the **Support bar** with channel end on the glass top edge and the bracket end flat on the wall. Adjust the bar to a proper position and level it horizontally. Hold it firmly and outline the bracket's position on the wall with a pencil. Take off the **Support bar** and remove the bracket from it. Place the bracket against its position on the wall and mark the drill hole. Drill the hole, insert the **Wall anchor (07)** and attach the bracket onto the wall with the **Screw ST4.2×30 (10)**. Replace the **Support bar** with channel seated on the glass and the other end underneath the bracket. Attach it to the bracket with the set-screw provided. Straighten the bar and fasten both set screws and the glass holding screw to secure the glass. See Fig.4-5 for details.
5. Install the **Hinges (04)** on the stationary glass with the decorative non-screw side facing outwards. Hook the **Glass door (05)** from inside. Make sure rubber gaskets are used to prevent glass to metal connection. Perform necessary adjustment to have the top edge of the door in line with that of the stationary glass. See Fig.6 for details.
6. a) Mount the **Handle (06)** onto the door. See Fig. 7 (Image 1) for details.
b) Push the **Bottom anti-water strip (12)** on the bottom edge of the glass door. See Fig. 7 (Image 2) for details.
c) Measure the distance between the top edge of the glass door and upper edge of the top hinge. Cut the piece off the **Side strip (11)** with a knife according to your measurement. Repeat it to prepare the short strip for the hinge at the lower section of the glass door. Then measure the distance between the bottom edge of the top hinge and the upper edge of the bottom hinge and cut the rest of the strip to size. Open the door and push all the strip lengths onto the vertical edge of the glass door. See Fig.7 (Image 3-4) for details.
7. Seal with caulk (recommended 100% clear silicone) inside and outside along the bottom of the stationary glass and between the wall and the wall profile. See Fig.8 for details.

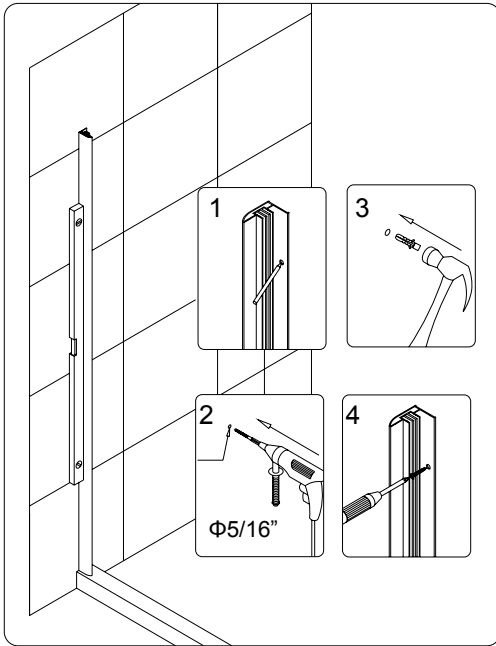


Fig 1

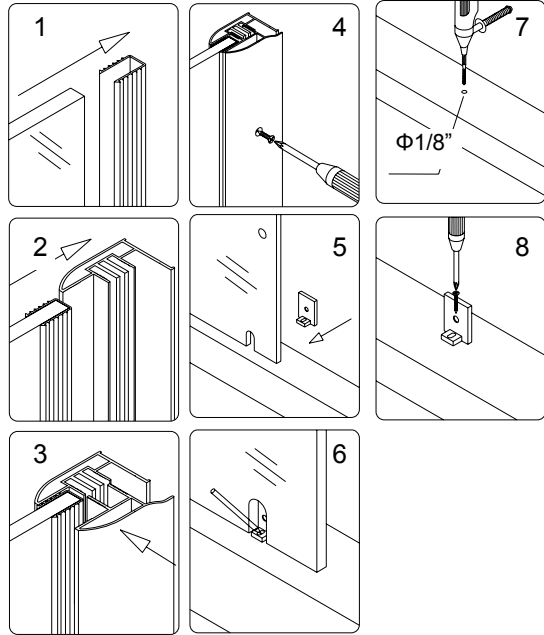


Fig 2

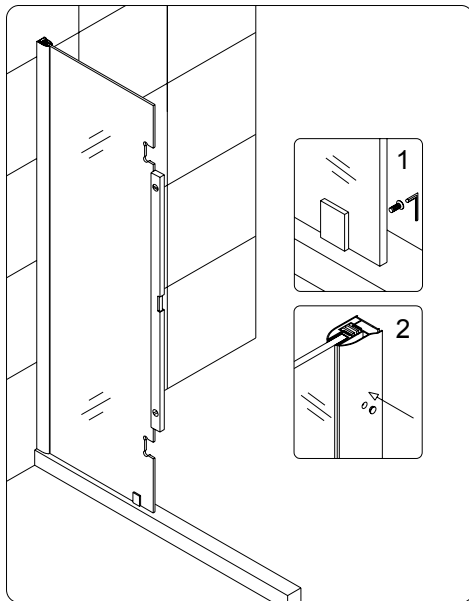


Fig 3

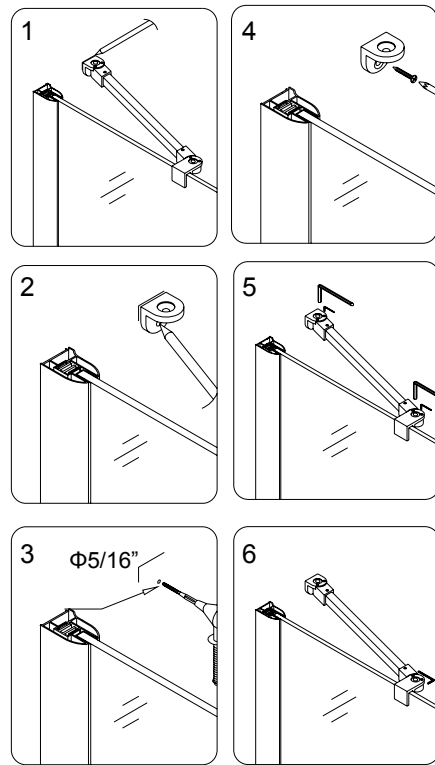


Fig 4

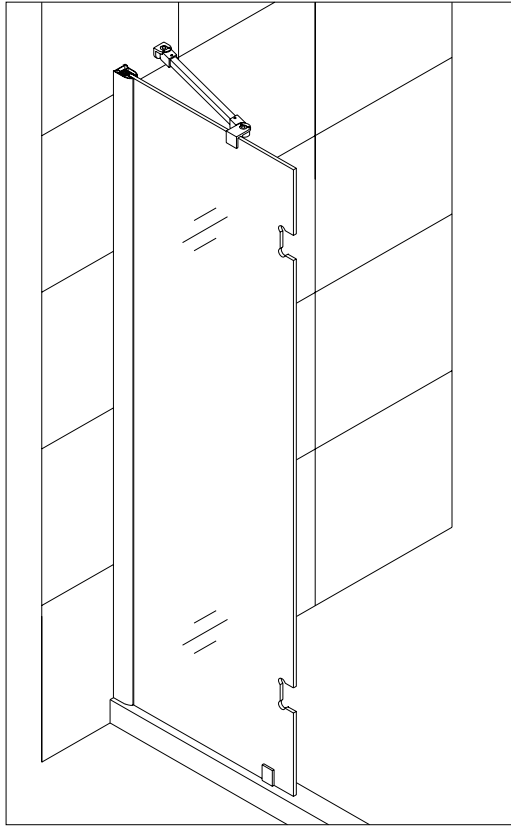


Fig 5

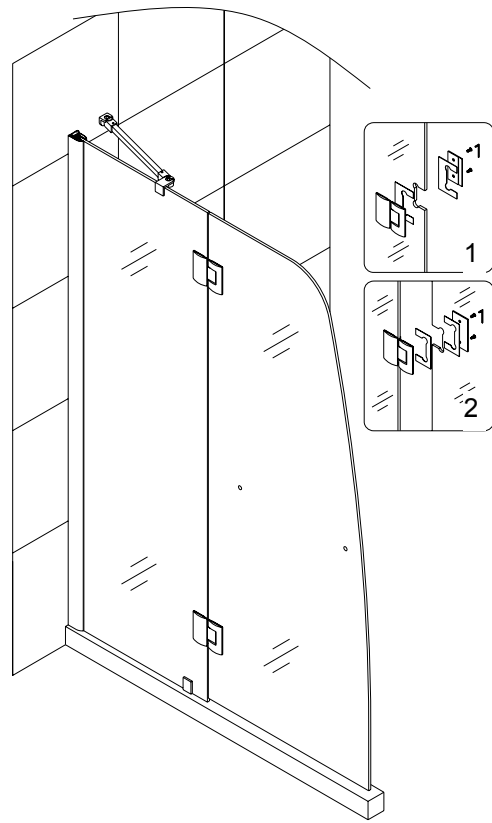


Fig 6

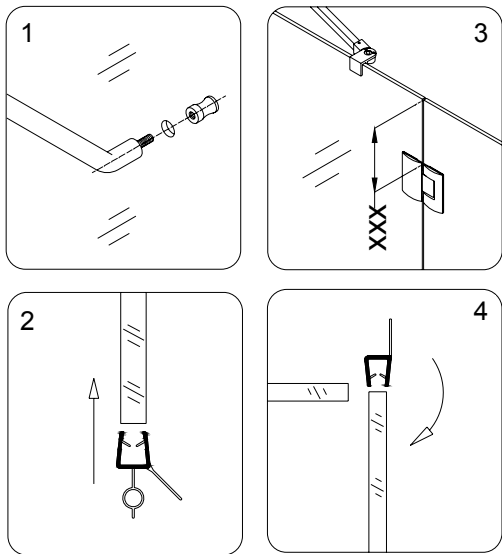


Fig 7

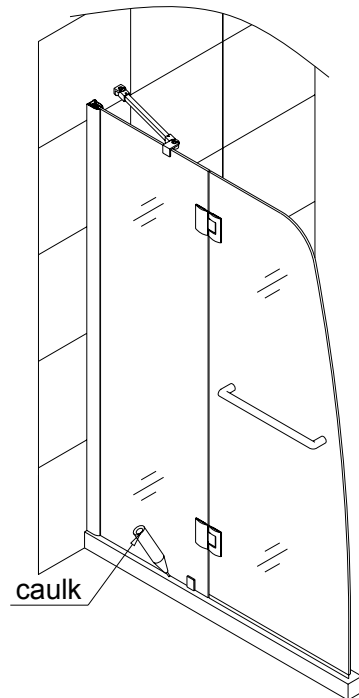


Fig 8

Maintenance

1. Tempered glass can be cleaned with nonabrasive bathroom cleaner or any glass cleaner you use elsewhere in your home. Rinse off any glass cleaner that gets on the metal parts as soon as possible to avoid damage to the metal surface. Avoid striking it with any sharp or hard objects. Such damage can cause either immediate or delayed breakage of tempered glass.
2. The metal parts in your shower door are durable and resistant to water damage. It is advisable, but not necessary to wipe it with your towel after you shower. Clean it as often as needed to keep the buildup off. Never use any type of abrasive cleaner. Use only a soft damp cloth and nonabrasive bathroom cleaners.