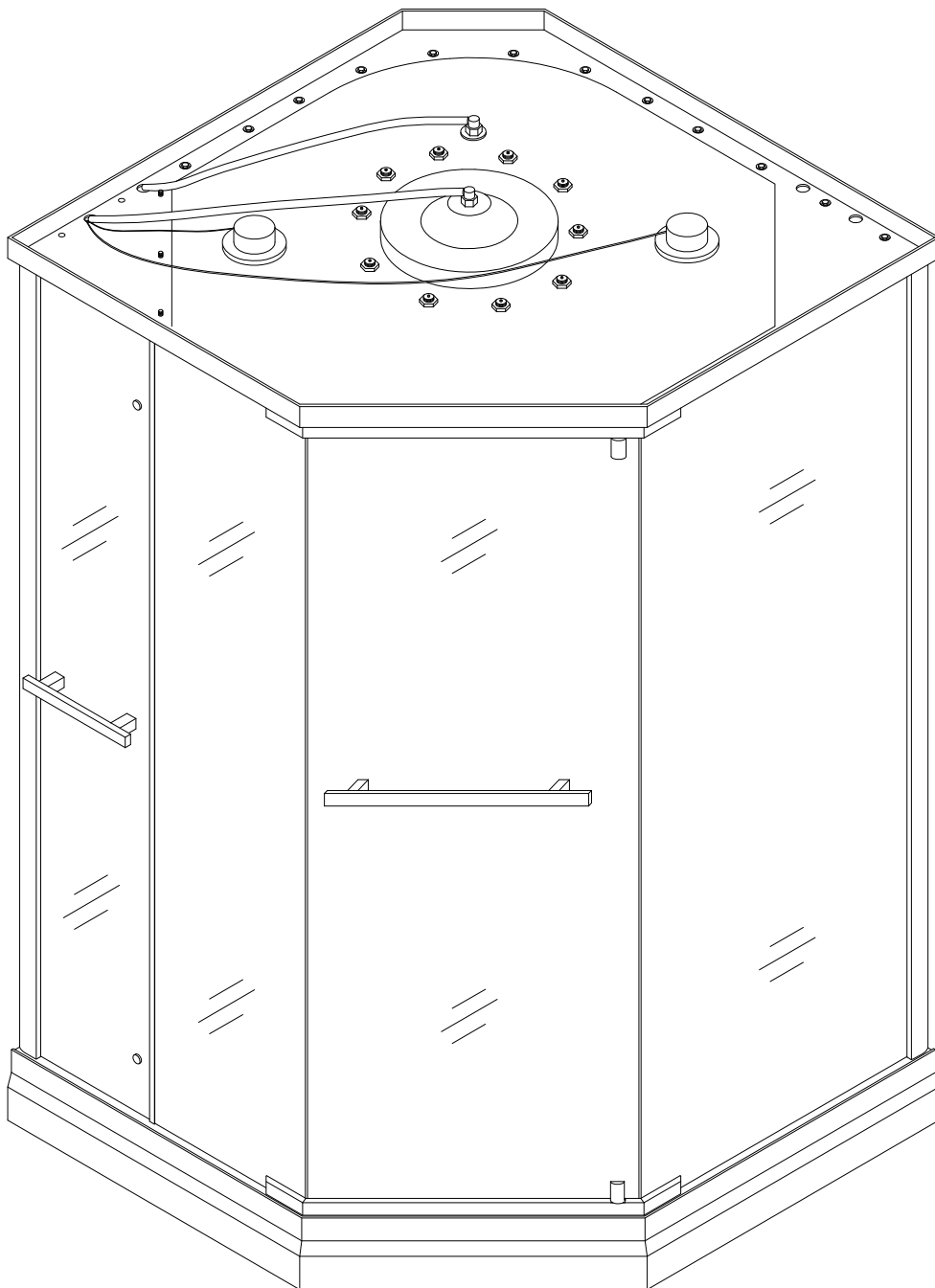




## **NEPTUNE Steam Room Installation Instructions**

### **IMPORTANT**

Please read carefully the following instructions before installing your shower cabin. If you have any questions on this shower cabin installation - please call our technical support specialists Monday to Friday 9:00AM – 5:00PM EST at 1-866-731-8378 Option 3 or e-mail our technical support group at [\*\*support@BathAuthority.com\*\*](mailto:support@BathAuthority.com)



**Our product may have changes without prior notice**



## **IMPORTANT INFORMATION**

## **SAFETY**

Your STEAM SHOWER is equipped with an Auto-Drain feature. 1-3 minutes after the unit control panel power is turned off any remaining hot water in the steam generator system is automatically drained into the shower cabin.

For your safety – please do not turn off the power button on the control unit until you are ready to exit the cabin.

If you have any question on this feature – please call our Technical Support Center at 1-866-731-8378, Option 3

## **WARNING**

**Please, make sure you do the following:**

- ✓ **Electrical grounding is required on the steam generator;**
- ✓ **All electrical supplies must be disconnected when servicing the steam generator;**
- ✓ **All wiring must be installed by a licensed electrician (please consult your local codes);**
- ✓ **All plumbing must be installed by a licensed plumber (please, consult your local codes);**
- ✓ **Never shut off water while steam generator is in use;**
- ✓ **Never touch the wiring while the unit is in use to avoid electric shock due to high voltage that runs in the equipment.**

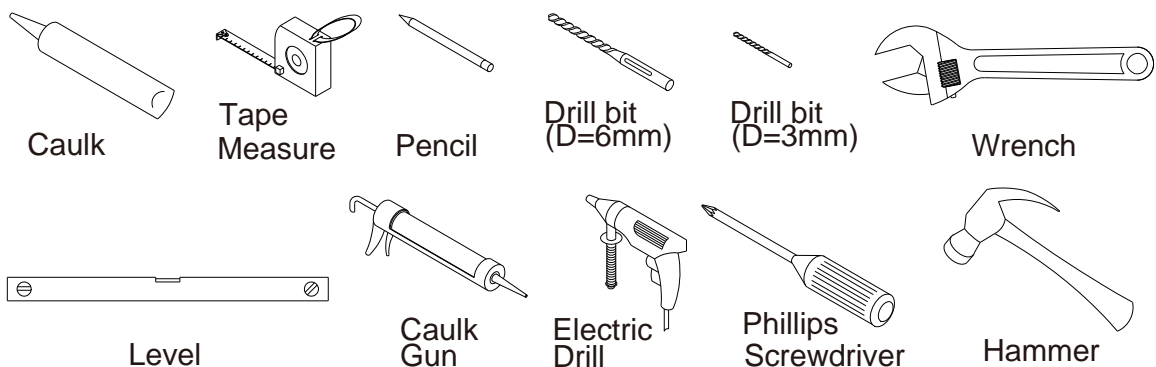
**Follow these steps to avoid the risk of overheating or scalding:**

- ✓ **Exit the shower cabin immediately if you feel uncomfortable, dizzy or sleepy. By staying too long in a heated area you increase the risk of overheating;**
- ✓ **Do not touch the steam head. Keep 12” distance from the steam outlet when generator is in use;**
- ✓ **Make sure children are under supervision at all times;**
- ✓ **Consult your doctor before using the steam shower cabin if you are pregnant, diabetic, in poor health or under medical care;**
- ✓ **Do not use alcohol, drugs or medication in conjunction with taking a steam shower as this may cause unconsciousness.**

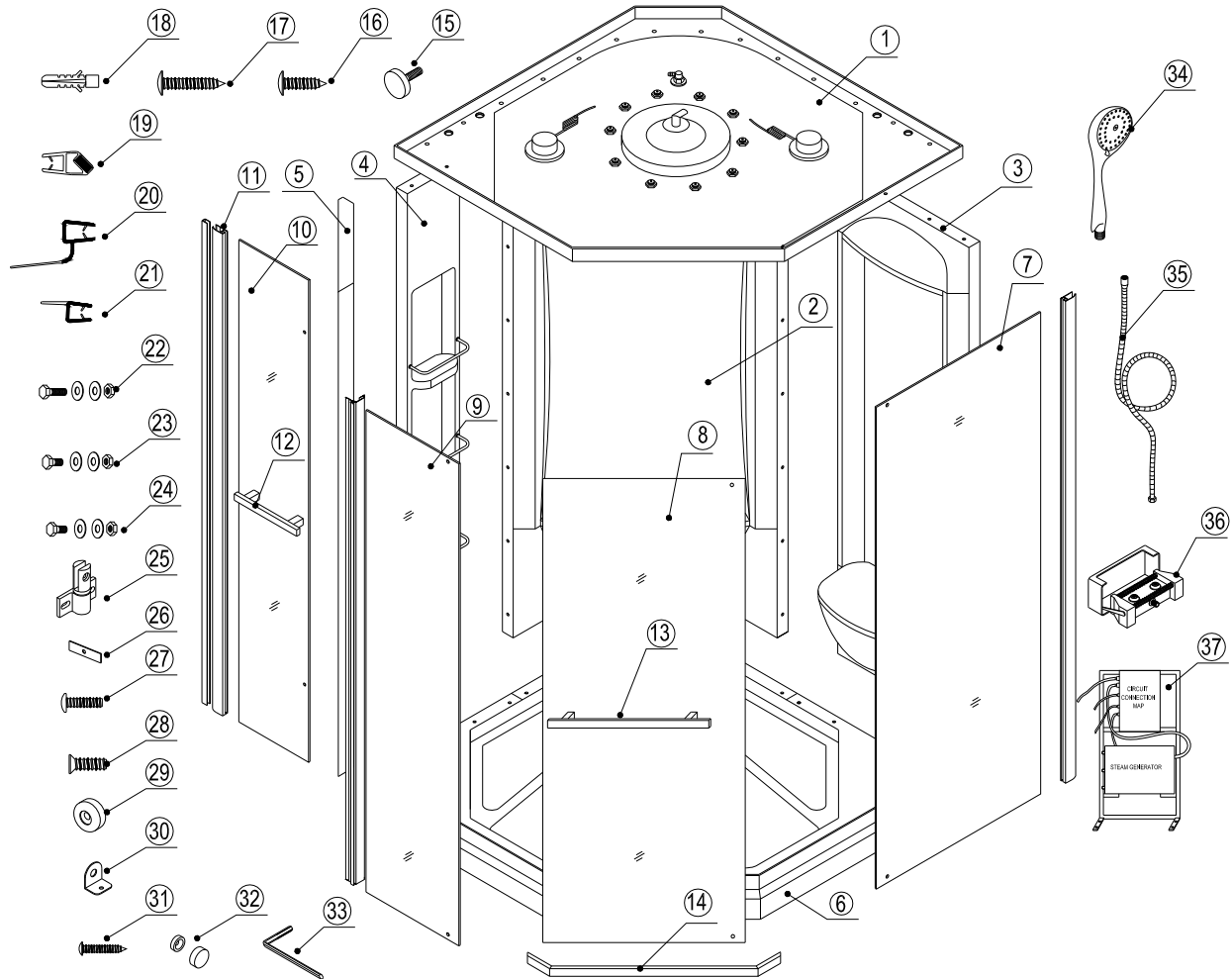
## Preparation

1. After opening all the boxes, read this introduction carefully, check all the packed parts are complete by cross checking all the components against the “Detailed Diagram of Shower Cabin Components”. Examine for shipping damage. If the unit has been damaged or has a finishing defect, please contact your local distributor within 3 business days. Please note that **Bath Authority™ / DreamLine™ will not replace any damaged product or parts free of charge after 3 business days or if the product has been installed.** Contact your distributor or distributor if you have any questions.
2. **Please note that you should consult your local building codes on questions on installation compliance standards. Building and plumbing codes vary by location, and DreamLine is not responsible for code compliance standards for your project.**
3. Install all of the required plumbing and drainage before securing the shower. **Use a competent and licensed (if required by local code) plumber for all plumbing installation and licensed electrician for all electric installation.**
4. Please insure that prior to the installation the floor is leveled and solid and will be able to support the total weight of the unit and its occupant. Also make sure the walls are at right angles. While some adjustment in leveling of the tray is possible, irregular floor level or improper angle of side walls will result in serious problems for your installation. Please, note that there are some adjustments and drilling might be necessary during the installation process.

## Tools Required



## Detailed Diagram of Steam Room Components



### Packing List

01	Roof	1pc	20	Anti-water strip	1pcs
02	Back panel	1pc	21	Bottom anti-water strip	2pcs
03	Side panel	1pc	22	Bolt M6×40 (with nut, washer)	12pcs
04	Shelf panel	1pc	23	Bolt M6×20 (with nut, washer)	39pcs
05	Control panel	1pc	24	Bolt M6×16 (with nut, washer)	9pcs
06	Bottom tray	1pc	25	Pivot assembly	2pcs
07	Wide stationary glass	1pc	26	Gasket	4pcs
08	Glass door	1pc	27	Round head bolt M8×14	4pcs
09	Narrow stationary glass	1pc	28	Flat head bolt M8×20	4pcs
10	Maintenance door	1pc	29	Washer	4pcs
11	Wall profile	1pc	30	Glass bracket	4pcs
12	Handle for maintenance door	1pc	31	Round head screw ST4.2×25	4pcs
13	Glass door handle	1pc	32	Decorative cover	4sets
14	Pivot bar	2pcs	33	Hex wrench (different size)	2pcs
15	Bolt	2pcs	34	Hand shower	1pc
16	Round head screw ST4.2×12	10pcs	35	Hand shower hose	1pc
17	Round head screw ST4.2×25	13pcs	36	Foot massager	1pc
18	Wall anchor	3pcs	37	Generator assembly	1pc
19	Magnetic strip	2pcs			

**After you have checked that all components are there, you will be ready to start the installation of your DreamLine™ steam room.**

## Cabin Installation

1. Choose the location where you cabin will be installed. Mark the location of the tray. Install the drain pipe according to drawing Fig 1. Be sure the upper edge of the 2" elbow or bushing will be on the level or below the floor level Fig 2.
2. Prep the floor where the cabin will be installed. Floor must to be **leveled**, strong enough and solid and will be able to support the total weight of the unit and its occupant.
3. Install the drain to the tray according the drain installation manual (supplied by drain manufactory) Fig 3.
4. Move the **Tray (06)** to the required position. Check the level of the tray, alignment of the drain pipe and the drain (Fig 4). If drain pipe need to be adjusted do it now. If tray in not leveled, move tray out and re-level floor. Place tray back and check it again.
5. Install the water outlet and power supply box. You need 1/2" minimum water supply lines for hot and cold water with shout off valves. **Power supply is required 20A 220v dedicated #12/3 romex wire line with GFCI breaker. Please check your local codes before wiring as your local requirements may be different.** (Note: Figure 4 shows water and power location for the control panel to be installed on the left side of the tray.)

***Your unit is reversible for right or left hand installation. If the control panel is planned to be on the right side of the tray, the location of the water outlet and power supply box should also be moved to the right side of wall. See Fig 4 for details.***

6. Move the **Tray (06)** to the assemble area. Be advised assemble area must to be as close to the installation area as possible to make the movement of the assembled cabin easy. Apply silicone sealant along the holes on the tray. Connect the **Back panel (02)** and the tray with **Bolt M6x40 (22)**. See Fig 5 and Fig 6 for details.

**NOTE: For steps 6, 7 and 8, it will be necessary to apply silicone sealant between the panels and the panels and tray.**

7. Connect the **Back panel (02)** and the **Side panel (03)** with **Bolt M6x20 (with nut, washer) (23)**. Secure the side panel to the tray with **Bolt M6x40 (22)**. (In these instructions the panel is shown on the right side of the tray, but for reverse installation - the side panel can also be installed on the left of the tray). See Fig 7 for details.
8. Connect the **Shelf panel (04)** and the **Back panel (02)** with **Bolt M6x20 (with nut, washer) (23)**. Secure the shelf panel to the tray with **Bolt M6x40 (22)**. See Fig 8 for details.
9. Secure the shelf panel and the **Control panel (05)** with M6x20 bolts; then secure the control panel to the tray with **Round head screw ST4.2x25 screws (17)**. See Fig 9 for details.  
Install the **Wide stationary glass (07)** to the side panel with **Bolt M6x16 (24)**. Apply silicone sealant between the side panel and the aluminum profile. See Fig 10 and Fig 11 for details.
10. Secure the **Narrow stationary glass (09)** to the control panel with **Round head screw ST4.2x12 (16)**. Apply silicone sealant between the control panel and the aluminum profile. See Fig 12 and Fig 13 for details.
11. Locate the **Pivot bars (14)**, **Pivot assembly (25)** and **parts 26, 27, 28, 29, 30, 33**. Confirm the direction of the opening of the door. For left hinge installation 3 holes on the pivot bars should be on the left; for right hinge installation 3 holes on the pivot bars should be on the right side. Connect the stationary glass panels with pivot bars using the **Glass bracket (30)**, **Flat head bolt M8x20 (28)** and **Washer (29)**. **Do not forget to place the clear rubber Gasket (26)** between the pivot bars and the glass to prevent contact of the glass to the metal. See Fig 14/1, 14/2 for details.
12. Fasten **Pivot assemblies (25)** to the pivot bar using **Round head bolt M8x14 (27)**. See Fig 14/3 for details.

13. Secure the **Generator assembly (37)** to the back corner of the tray with **Round head screw ST4.2x25 (17)**. See Fig 15 for details.
14. Apply silicone sealant on the top of the acrylic panels. Secure the roof to the back panel, side panel, shelf panel and the control panel with **Round head screw ST4.2x25 (17)** and **Bolt M6x20 (23)**. See Fig 16 for details.
15. Connect the shower head connector and its hose. Pool all wires from roof electric components (Depending on your model and futures) down to the steam generator compartment. Fig 17.
16. Move the shower cabin assembly to the required position. Fig 18.
17. Measure the distance from straight part of the elbow or bushing to the top of the drain less 1/2". See Fig 19/1 and Fig 19/2. Cut piece of the 2" PVC pipe according the measurements. See Fig 19/2 and Fig 19/3. Clean PVC pipe and elbow according the PVC glue manufactory instructions. Apply the PVC glue to the elbow and PVC pipe and push pipe down into elbow. Hold it for 45 sec to 1 min to glue it together. Fig 19/4, 19/5, 19/6.
18. After the glue had been dried finish the assembling of the drain according with drain manufactory instruction. Fig 19/7, 19/8, Fig 20.
19. Locate the **wall profile (11)** from the package then place it vertically above the tray. Using a level to adjust the wall profile upright; then use predrilled aluminum profile holes to marks wall for drilling. Now drill the holes and insert the **Wall anchor (18)** into the holes. Apply silicone sealant along the holes on the wall. Use **Round head screw ST4.2x25 (17)** to attach the wall profile to wall. See Fig 21 and Fig 22 for details.
20. Connect hot water supply hose to the water inlet marked with red and cold water to the blue mark water inlet. See Fig 23 for details.
21. Connect the steam generator circuit, according wiring diagram. Connect power cable (not supplied) to the power supply box. Wires marked L1 and L2 are HOT wires, G – ground. Connect yellow wire from the steam generator to the ground. See Fig 24 and Fig 31 for details. (**Use the corresponding electrical connection or plug according to the local power system standards**).
22. Remove the back fastener from the pivot assemblies. Set the **Glass door (08)** so the holes are aligned. Make sure the rubber gaskets are in between the glass and the metal parts. Secure the back fastener with the provided bolt. Repeat the same steps for the second pivot assembly. See Fig 25 for details.
23. Install the **Glass door handle (13)** to the glass door. Don't forget to use rubber gaskets between the glass and washers. Attach **Magnetic strips (19)** onto the glass door and the narrow stationary panel, the **Bottom anti-water strip (21)** and the **Anti-water strip (20)** to seal between the glass door and the wide stationary glass. See Fig 26 for details.
24. Adjust the position of the pivot bars and stationary glass on the tray. Mark the drill holes for the **Glass brackets (30)**. Make sure the mark is clear and visible and drill the hole on the mark. Use the **Round head screws ST4.2x25 (31)** to attach the **Glass bracket (30)** to the tray or the roof. Cover the screw location with **Decorative cover (32)**. See Fig 27 for details.
25. Connect the flexible hose to the foot massager and hand shower. Secure these two items in place on the back panel. Make sure all the water connections are water tight. See Fig 28 for details.
26. **Check all the components for any leakage or problems; open each valve to see how it works, check thermostatic or mixer valve for hot and cold water. You may need to tight some connections (during storage and transportation connections may get loose).**
27. If you do not see any leakage, install the maintenance door handle. Push the **glass profile** of the maintenance door over the **wall profile**. Secure the **glass profile** and **narrow stationary glass profile** using **Bolt (15)**. See Fig 29 for details.
28. Seal with silicone on all the connections between the vertical profiles and the back panel, bottom rail and tray, tray and back panel. Let the silicone dry for at least 24 hours before moving or using the cabin.

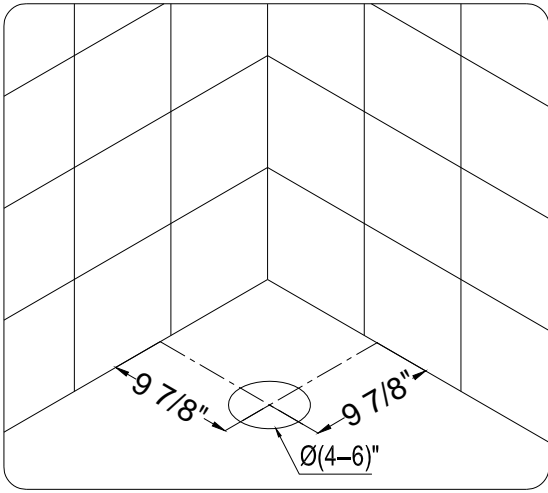


Fig 1

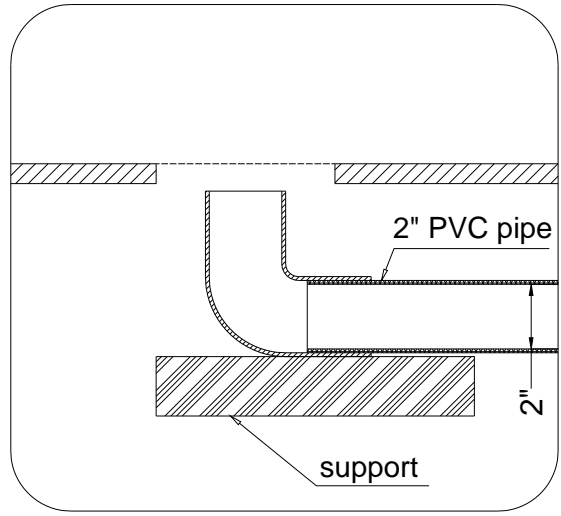


Fig 2

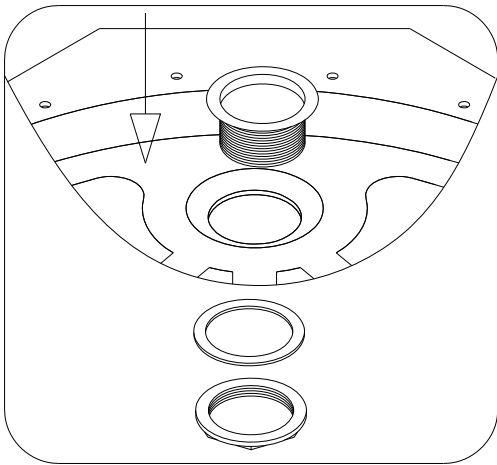


Fig 3

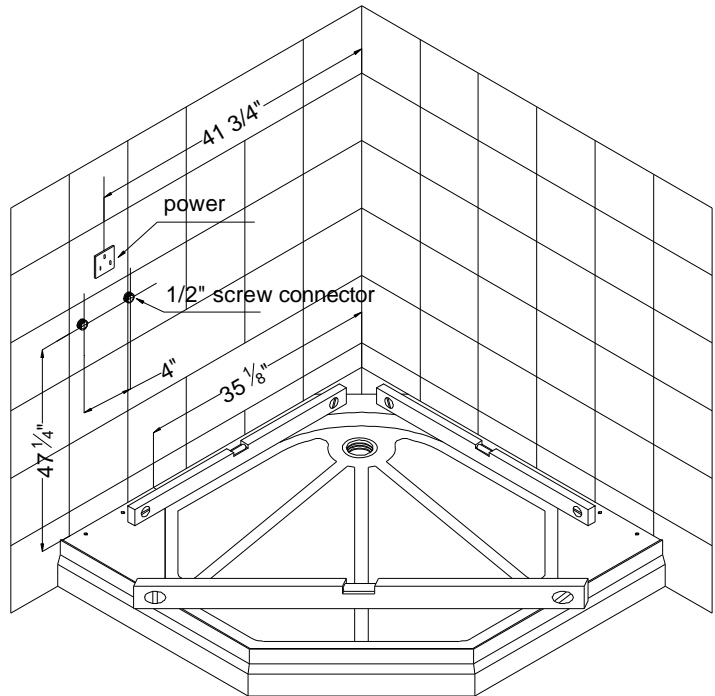


Fig 4



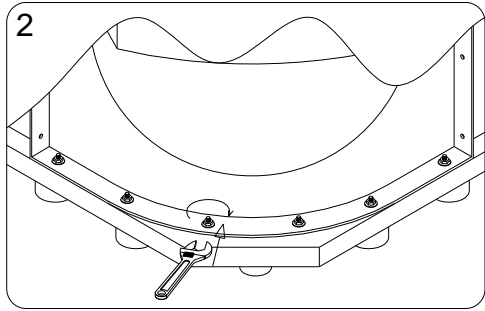
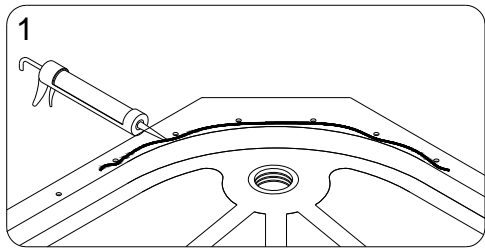


Fig 5

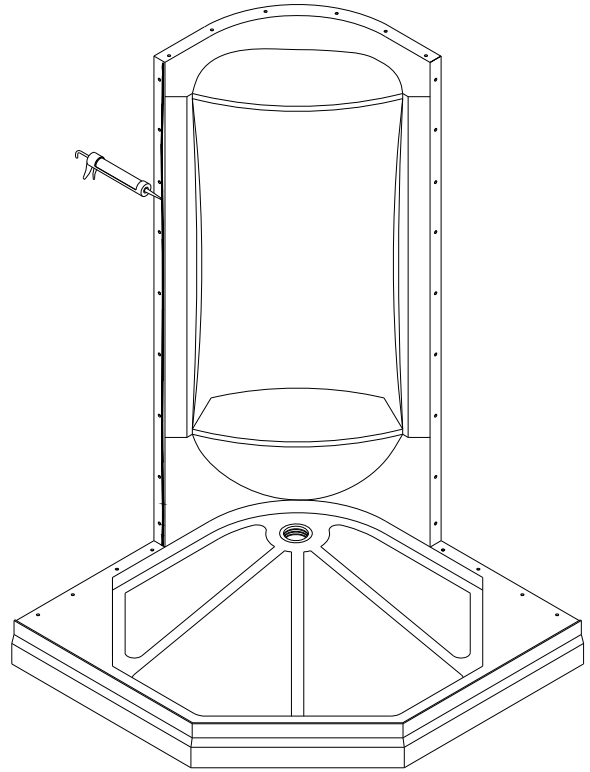


Fig 6

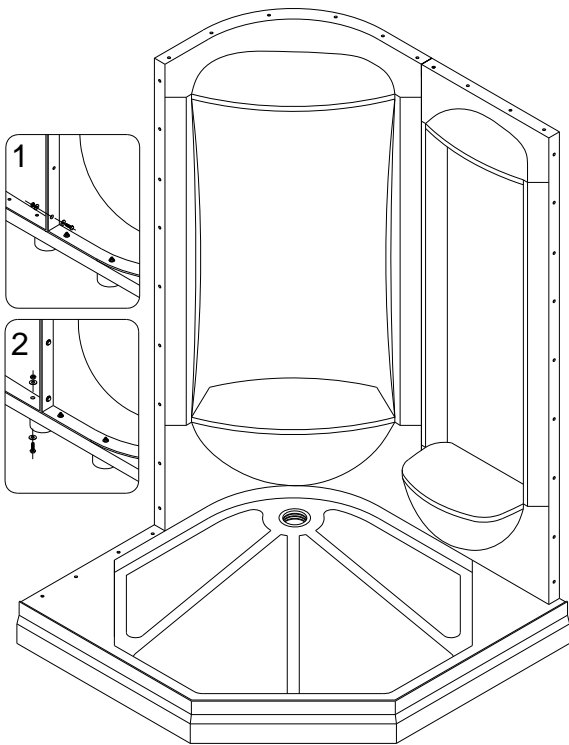


Fig 7

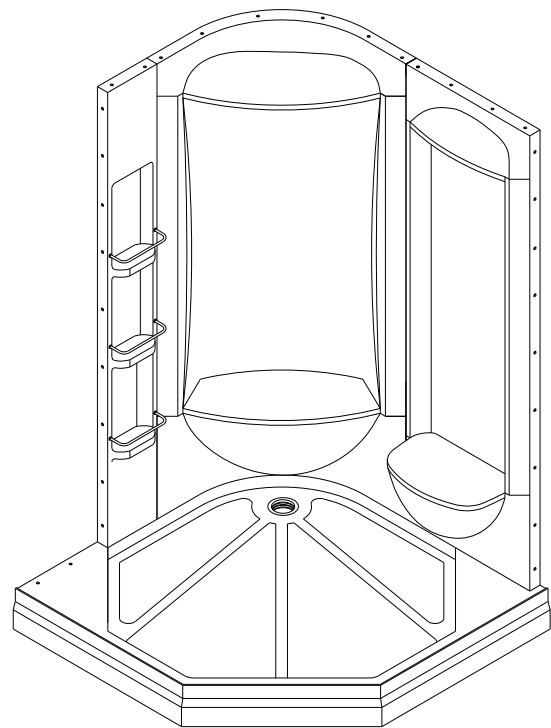


Fig 8

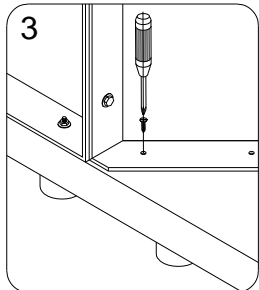
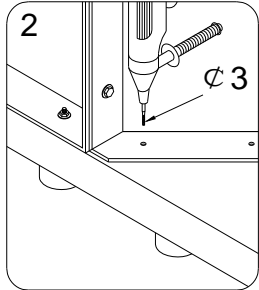
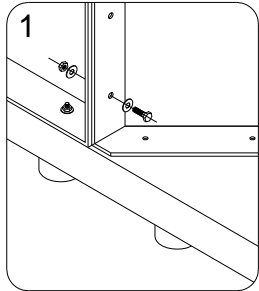


Fig 9

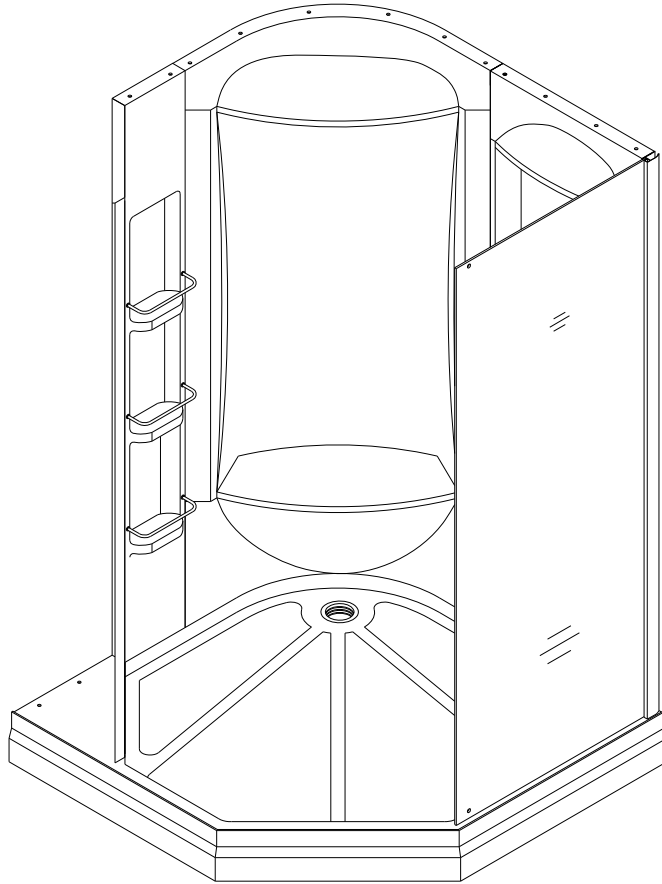


Fig 10

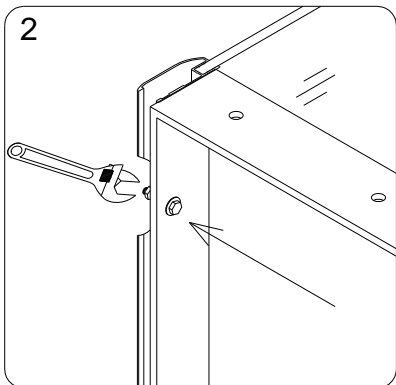
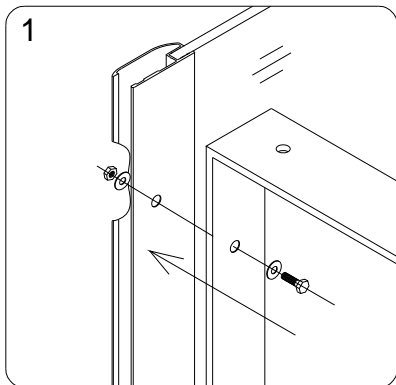


Fig 11

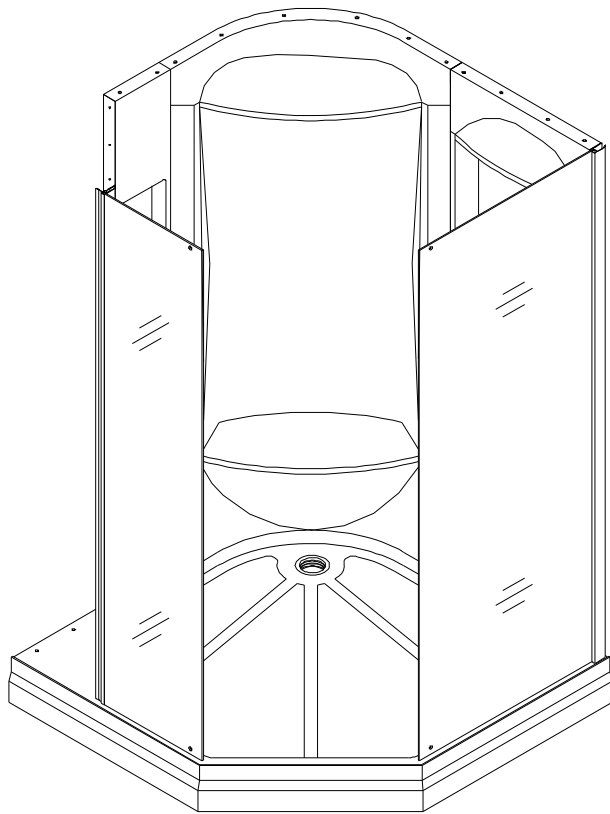


Fig 12

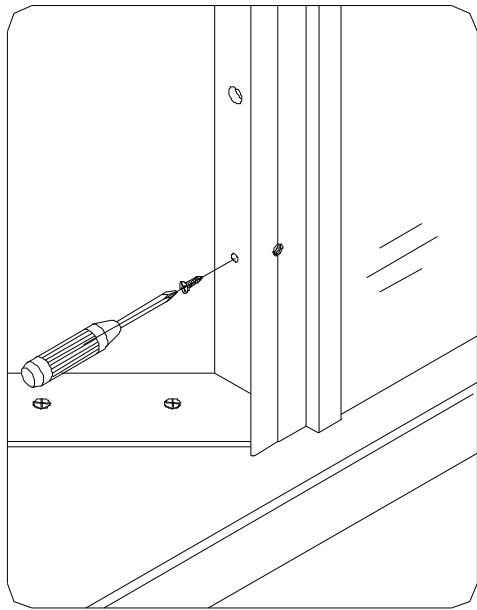


Fig 13

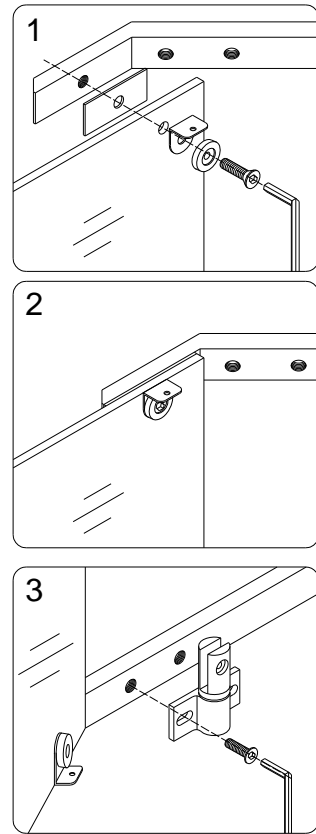


Fig 14

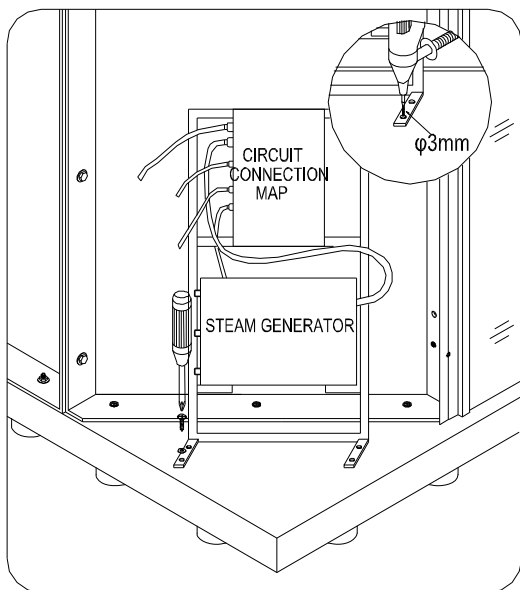


Fig 15

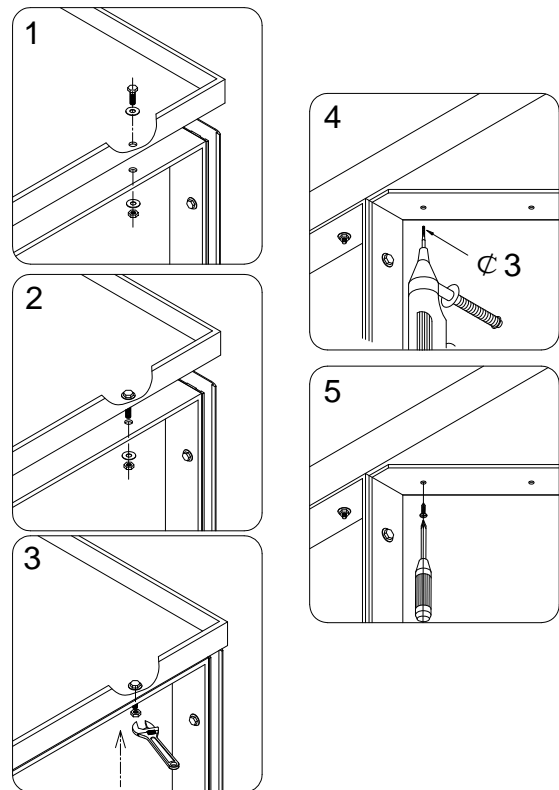


Fig 16

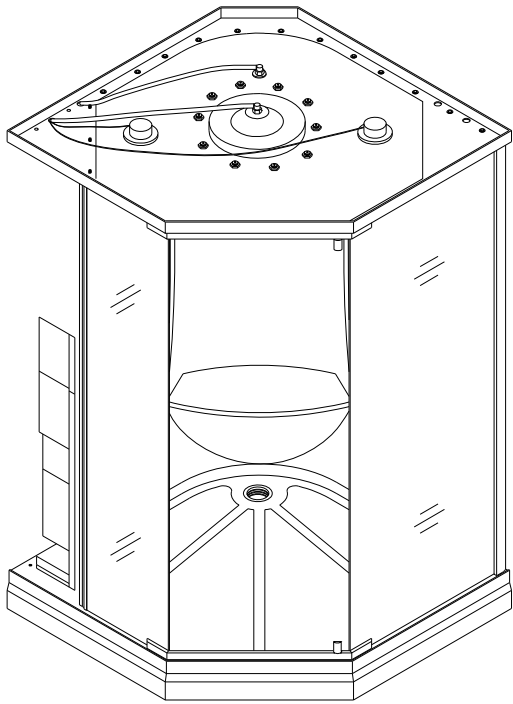


Fig 17

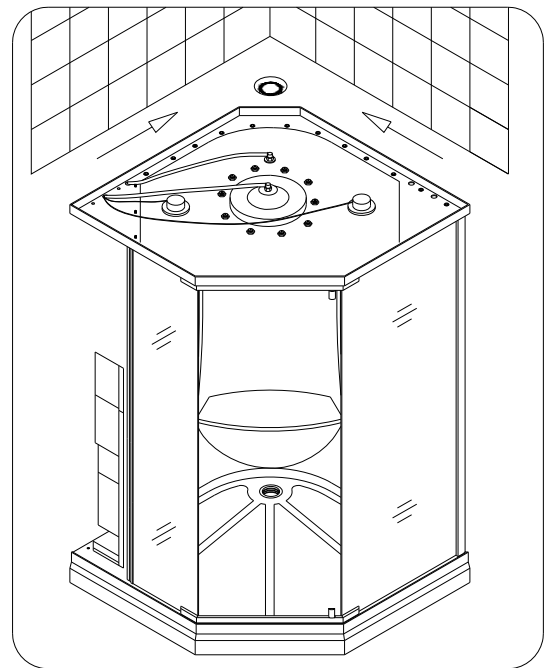


Fig 18

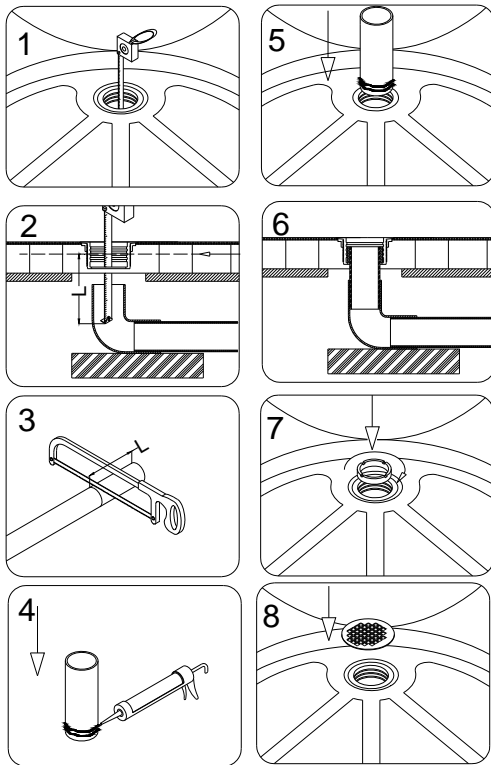


Fig 19

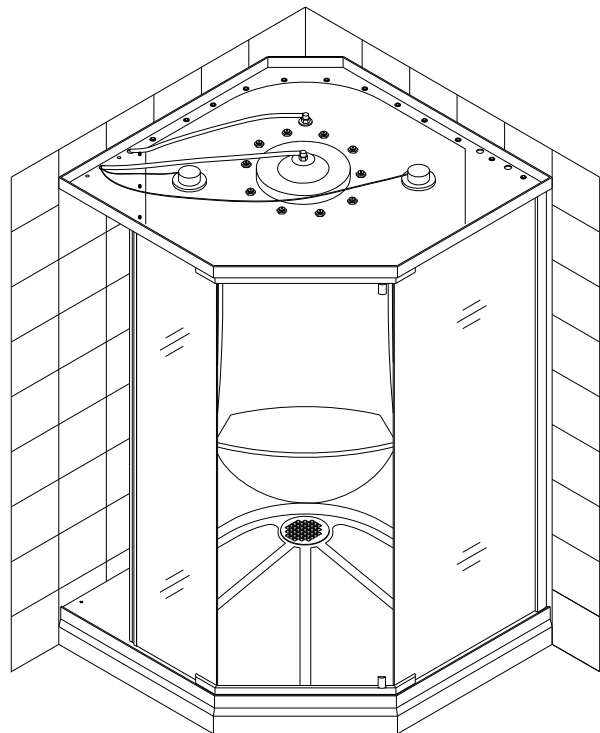


Fig 20

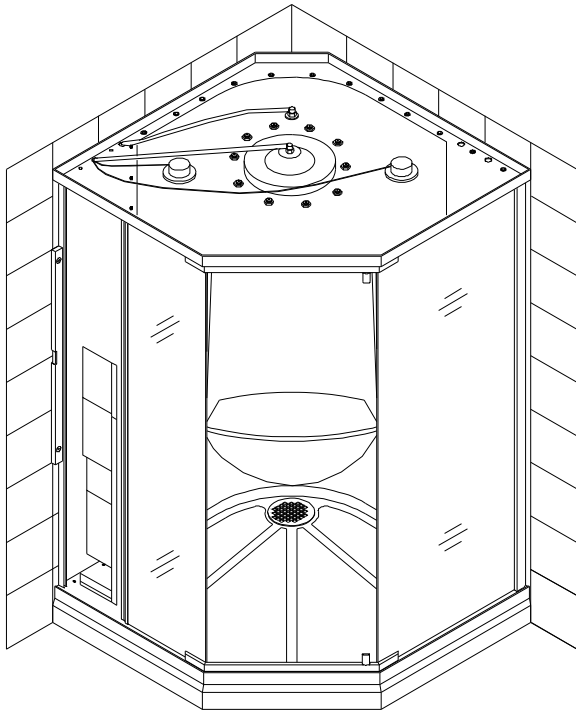


Fig 21

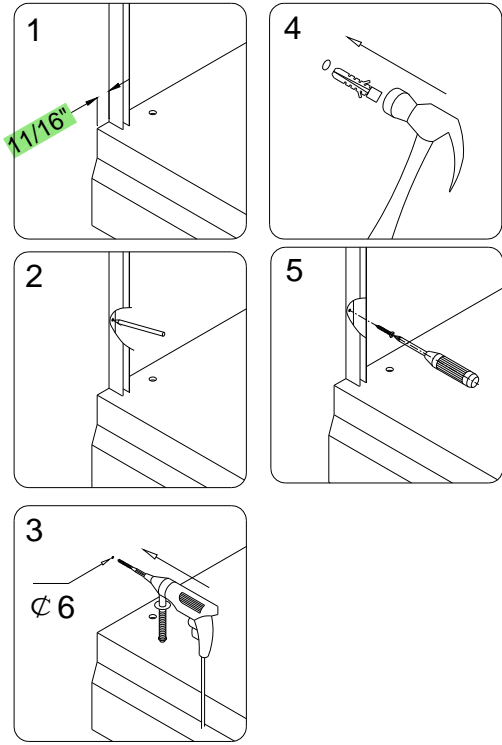


Fig 22

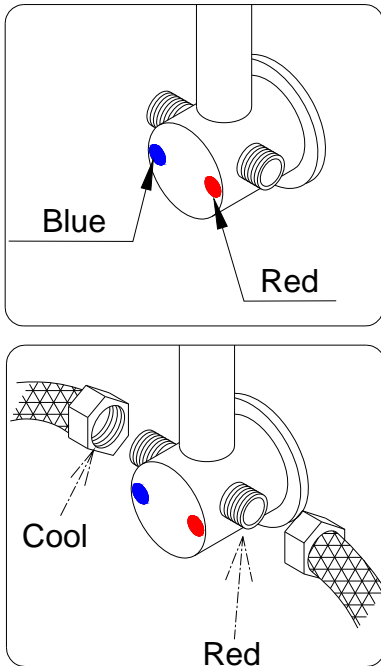


Fig 23

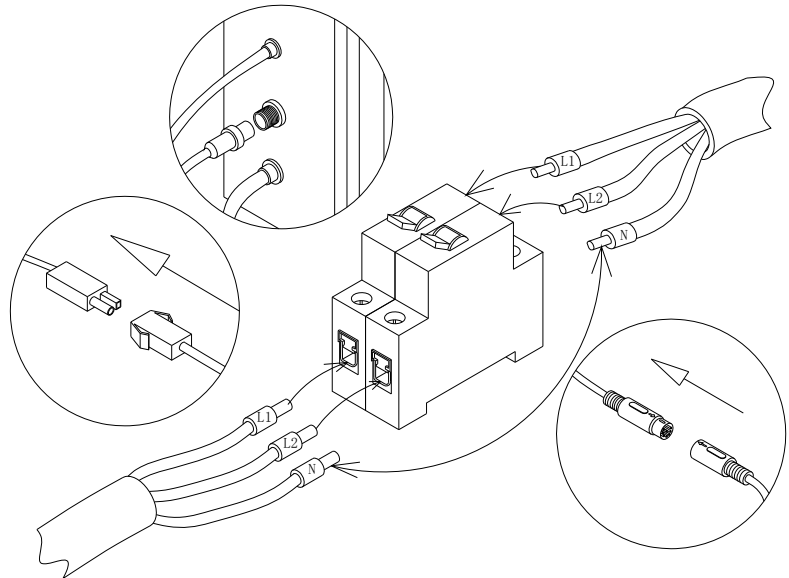


Fig 24

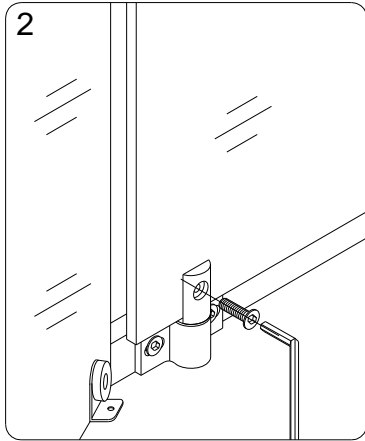
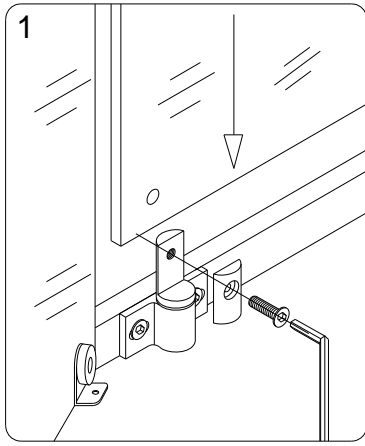


Fig 25

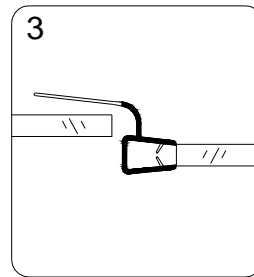
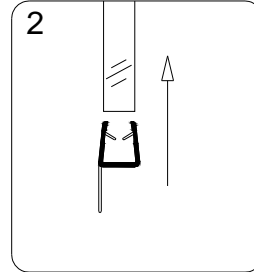
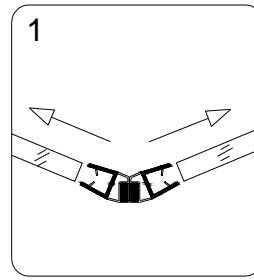


Fig 26

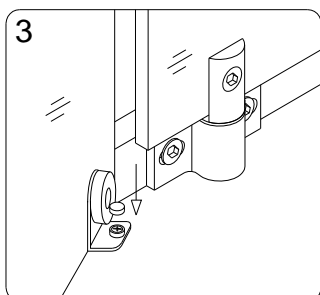
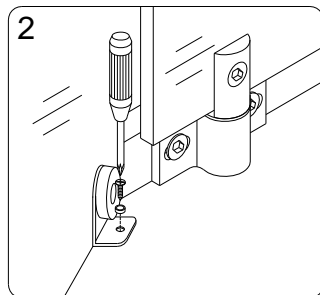
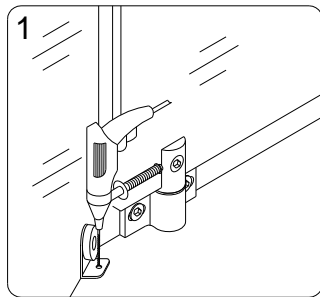


Fig 27

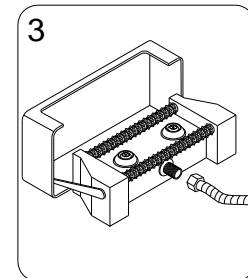
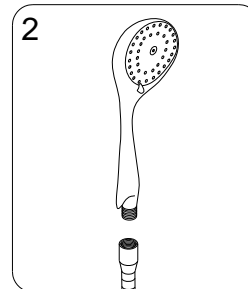
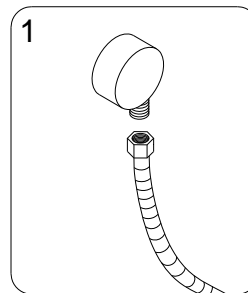


Fig 28

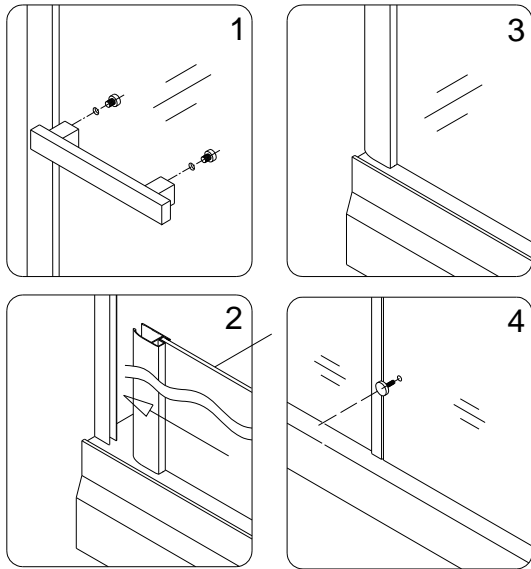


Fig 29

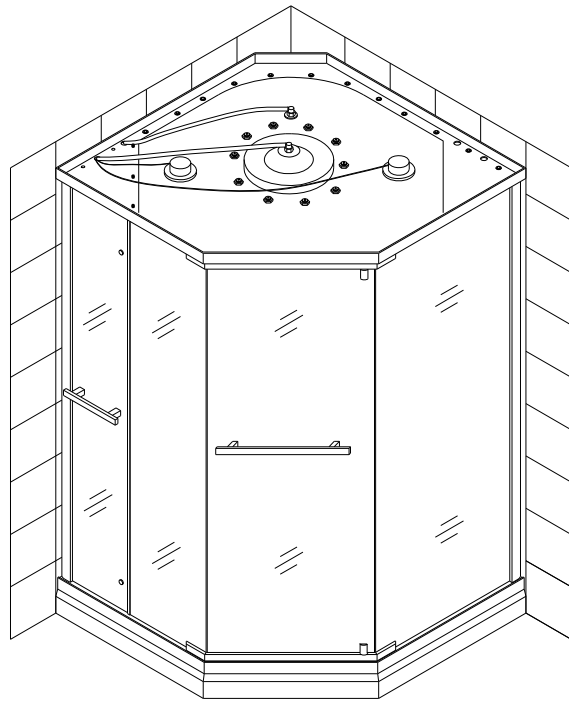


Fig 30

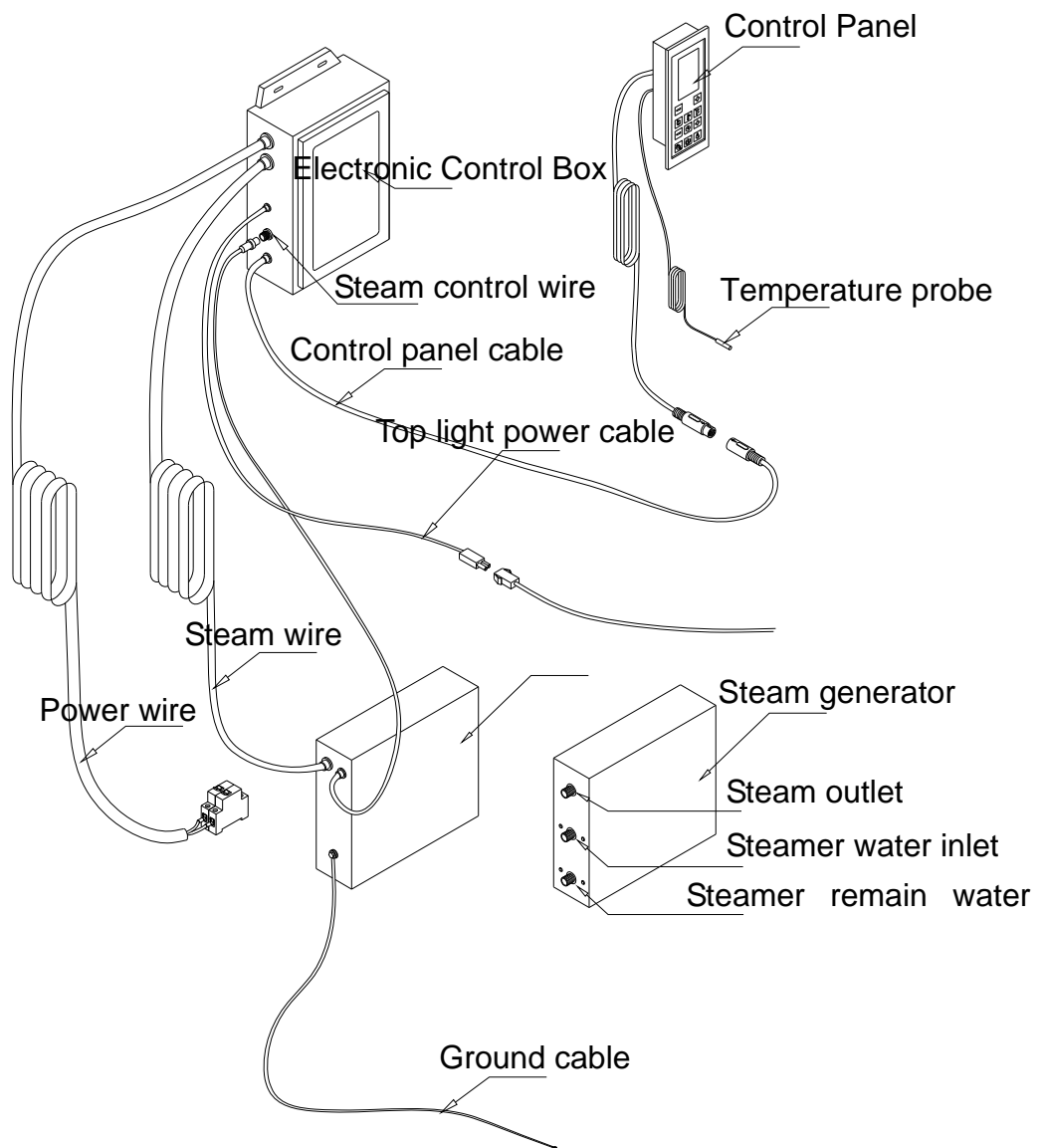
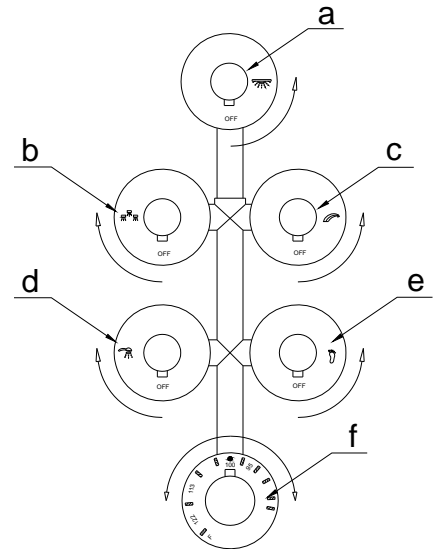


Fig 31

## Using Controls

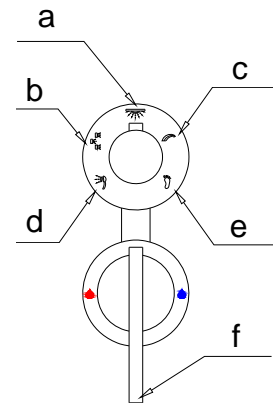
### Thermostatic Valve

- Valve “a” turns on the “tropical rain” head shower.
- Valve “b” turns on massage jets.
- Valve “c” turns on the waterfall head shower.
- Valve “d” turns on the hand shower. Turning the revolving top of the hand shower head will change water patterns.
- Valve “e” turns on the foot massager.
- Thermostatic valve “f” adjusts water temperature for all valves you are using.



### Mixer Valve

- Valve “a” turns on water for the “tropical rain” head shower.
- Valve “b” turns on water for massage jets.
- Valve “c” turns on water for the waterfall head shower.
- Valve “d” turns on water for the hand shower. Turning the revolving top of the hand shower head will change water patterns.
- Valve “e” turns on foot massager.
- Valve “f” adjusts the water temperature turning left or right and controls the water on or off by bringing it upward or downward.



## Steam generator control



**Function Illustration of the Control Board**



## Performance

- The control uses a blue color back light liquid crystal display with white back light induction type touching key.
- Turning the steam on will fill the generator with water automatically; when system is shut-down an automatic water draining system is turning on.
- Includes steam and light control functions
- Steam temperature regulation range: Centigrade temperature 30~60C, Fahrenheit 86~140F; Steam time regulation range: 0~60 minutes
- Automatic temperature controls also include tracking of excess temperature, over pressure and power leakage protection function.

## Operation Instructions:

- ✧ Switch-on: Push the power switch, the present cabin temperature is shown on the display, the top light turns on, and the system stays in the stand by mode.
- ✧ Steam: Push the steam key directly to turn steam function on or off.
- ✧ Temperature-set: Push temperature setting key, pre set temperature is shown on the screen. Push the "temperature +" or "temperature -" key to get the temperature you desired. The temperature will gradually increase or decrease within 86~140F (30 ~ 60°C). "Celsius" displays the Celsius temperature; "Fahrenheit" displays Fahrenheit temperature. If the temperature in the cabin is higher than that the temperature you try to set, the steam generator can not be started.
- ✧ Time-set: Push the time setting key and the steam generator and control go into the time-set mode; push the "time +" or "time -" key to get desired time of the steam bath. The time range is 5~60 minutes.
- ✧ Lighting: Push the light key, and the light can be switched on or off.
- ✧ Switch-off: Push the power key and switch off all the functions.

**If not using steam options/control for a long time – turn off the power main electric supply of the units.**

## Warning

- ❖ Do not connect this steam shower with other electric appliances not recommended by DreamLine™, and do not take apart the sealed lines or the electric lines from the power box.
- ❖ A drainage pipeline shall be fixed to auto-drain valve of the main steam generator, and it's better to add a water filter before the water entrance to increase generator's service life.
- ❖ The steam generator should be working with water hardness levels 60-120 mg/l. If hardness of your water more then recommended it can cause "scale" (mineral build up in pipes and plumbing fixtures). Scale can cause of your steam unit damage. You need to treat your water. Water softeners are the most frequently used of all water-conditioning devices and are installed for reducing hardness for private wells and utility supply with high levels of calcium or magnesium.
- ❖ The line from the power box shall be plugged according to the digit capacity and the size. Do not short circuit.
- ❖ The steam generator is complicated option and shall be installed by the qualified and authorized technical persons.

**DreamLine™ shall not be responsible for negative consequences due to any incorrect installation or improper operations per instructions listed above.**

## **Product Maintenance**

**Acrylic cleaning.** Acrylic should be cleaned with warm water and a clean, nonabrasive cloth. If desired, a mild, nonabrasive detergent may also be used. Use only light pressure when cleaning. Avoid rubbing dirt or grit into the surface. Turn the cloth often and replace with a clean cloth frequently. Dry by blotting gently with a clean, dry cloth.

**Do not use** window cleaning sprays, alcohol, kitchen abrasive compounds, or solvents (such as acetone, gasoline, or thinners). Do not use ammonia based cleaning solutions on the acrylic as it will eat into the surface and cause it to damage.

**How do you get scratches out of Acrylic?** For light scratches, use a buffing compound such as car wax slightly buff the surface by hand until scratches disappear.

**Glass cleaning.** Use any normal household glass cleaning product such as Windex to clean your glass. Be careful of overspray and wipe off any that gets on the frame.

**Aluminum maintenance.** Use mild cleaning agent and soft cloth to clean all dirt and dust on aluminum profiles. Do not use abrasive cleaning agents or polishing wax, alcohol, acetone etc.