

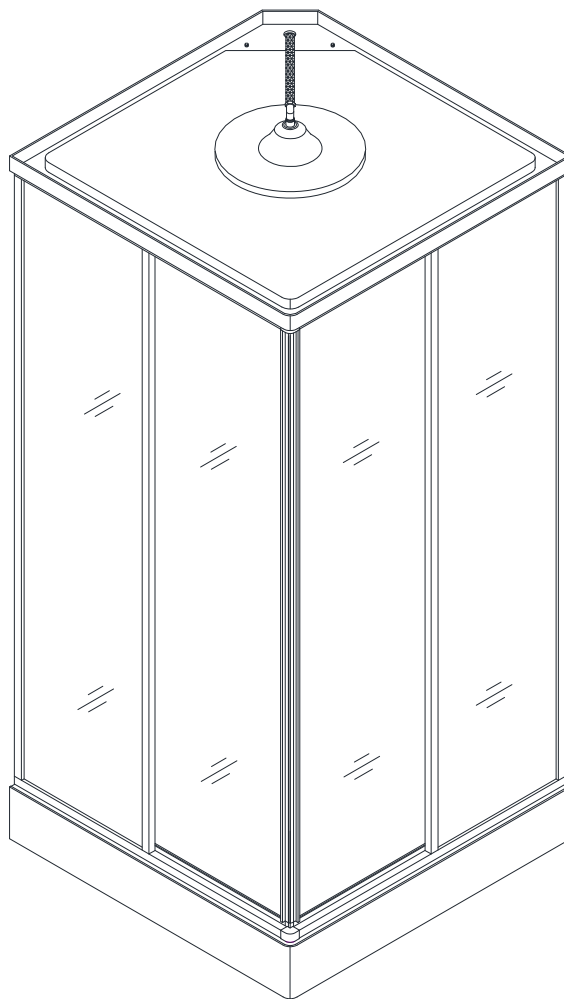


## REFLECTION

### STEAM CABIN INSTALLATION INSTRUCTIONS

#### IMPORTANT

DreamLine™ reserves the right to alter, modify or redesign products at any time without prior notice. For the latest up-to-date technical drawings, manuals or any other details please refer to the [support.BathAuthority.com](http://support.BathAuthority.com) web page.



Please carefully read the instructions before installing. If you have any questions regarding installation, please call our technical support specialists Monday through Friday 9:00 AM – 5:00 PM EST at 1-866-731-8378, ext. 3 or e-mail our technical support group at [support@BathAuthority.com](mailto:support@BathAuthority.com).

For more information on [DreamLine™ Jetted & Steam Showers](http://www.BathAuthority.com) please visit [www.BathAuthority.com](http://www.BathAuthority.com)

## **WARNING**

Please, make sure you do the following:

- ✓ Electrical grounding is required on the steam generator;
- ✓ All electrical supplies must be disconnected when servicing the steam generator;
- ✓ All wiring must be installed by a licensed electrician (please consult your local codes);
- ✓ All plumbing must be installed by a licensed plumber (please, consult your local codes);
- ✓ Never shut off water while steam generator is in use;
- ✓ Never touch the wiring while the unit is in use to avoid electric shock due to high voltage that runs in the equipment.

## **SAFETY RULES**

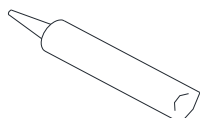
Follow these steps to avoid the risk of overheating or scalding:

- ✓ Exit the shower cabin immediately if you feel uncomfortable, dizzy or sleepy. By staying too long in a heated area you increase the risk of overheating;
- ✓ Do not touch the steam head. Keep 12" distance from the steam outlet when generator is in use;
- ✓ Do not touch the steam head when you are using the steam. It can get hot and cause burns;
- ✓ Make sure children are under supervision at all times;
- ✓ Consult your doctor before using the steam shower cabin if you are pregnant, diabetic, in poor health or under medical care;
- ✓ Do not use alcohol, drugs or medication in conjunction with taking a steam shower as this may cause unconsciousness.

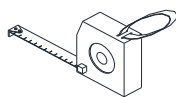
## Preparation

1. After opening all boxes and packages, read this introduction carefully. Check that all of the needed parts are included in the package, by marking all the components on the "Detailed Diagram of Jetted & Steam Showers Components". Examine boxes and packages for shipping damage. If the unit has been damaged, has a finishing defect, or has missing parts, please contact our customer support department within 3 business days of the delivery date. Please note that **DreamLine™ will not replace any damaged products or missing parts free of charge after 3 business days or if the product has been installed.** Feel free to contact DreamLine™ if you have any questions.
2. **Please note that you should consult your local building codes on questions on installation compliance standards. Building and plumbing codes may vary by location, and DreamLine is not responsible for code compliance standards for your project.**
3. Install all of the required plumbing, drainage and electrical supply before securing the shower. **Use a competent and licensed (if required by local code) plumber for all plumbing installation and licensed electrician for all electric installation.**
4. Please ensure that prior to the installation the floor is leveled and solid and will be able to support the total weight of the unit and its occupant. While some adjustment in leveling of the shower base is possible, irregular floor level will result in serious problems for your installation.
5. During transportation and storage plumbing connections can get loose. Please check all connections before final assembly.

## Tools Required



Caulk



Tape Measure



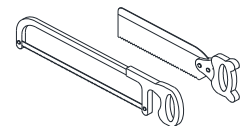
Pencil



Phillips Screwdriver



Drill bit  
(Ø=1/8")



Miter saw or Hacksaw



Level



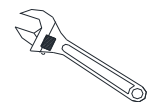
Caulk Gun



Electric Drill

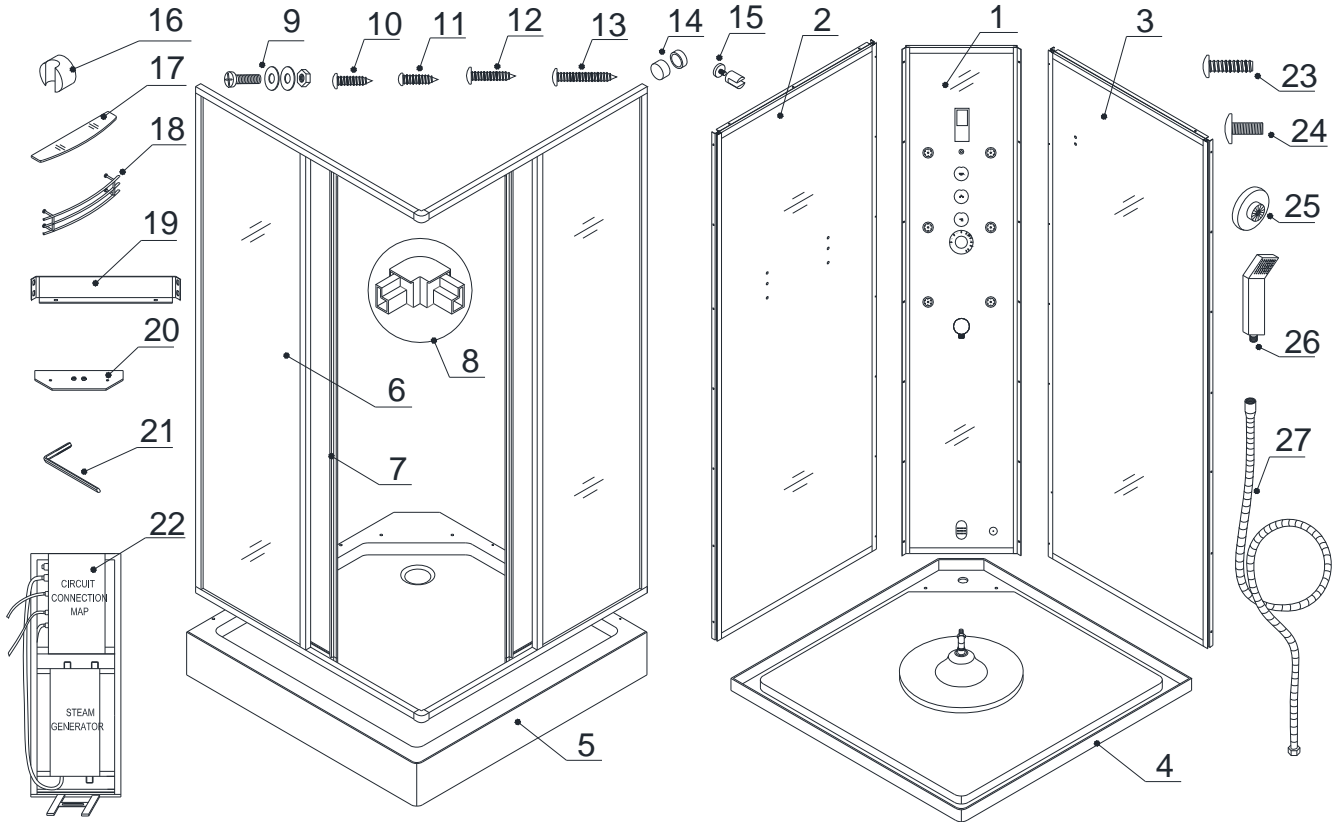


Hammer



Wrench

## Detailed Diagram of Steam Cabin Components



## Packing List

01	Control panel	1pc	15	Glass shelf holder	2pcs
02	Rear left stationary glass	1pc	16	Hand shower bracket	1pc
03	Rear right stationary glass	1pc	17	Glass shelf	1pc
04	Roof	1pc	18	Shelf Guardrail	1pc
05	Shower base	1pc	19	Fixing bracket	2pcs
06	Front stationary glass panels	2pcs	20	Bracket for steam generator	1pc
07	Glass door	2pcs	21	Hex key 5mm	1pc
08	Rail connector	2pcs	22	Steam generator	1pc
09	Bolt M4×16	8sets	23	Bolt M8×12	2pcs
10	Flat head screw ST4.2×10	4pcs	24	Bolt M5×8	8pcs
11	Round head screw ST4.2×10	14pcs	25	Wheel assembly	8pcs
12	Flat head screw ST4.2×16	14pcs	26	Hand shower	1pc
13	Flat head screw ST4.2×25	18pcs	27	Shower hose	1pc
14	Decorative cover	14pcs	28		

**NOTE:** Unpack your unit carefully and inspect it. Lay it out and identify all parts using the detailed diagram and packing list in your manual as a reference. Before discarding the carton, check for small hardware bags that tend to fall to the bottom of the box. If any parts are damaged or missing, please contact DreamLine™ for replacement.

## Install the water outlet, drain and power supply box.

You need 1/2" minimum water supply lines for hot and cold water with shut-off valves and 1/2" male connector

### Note:

Fig. 1 shows water and power supply location to be installed on the left wall. You can also install it on the right wall symmetrical to the left wall drawing.

**Power supply is required 20A 220V dedicated #12/2 wire line and should be hard wired. Please check your local codes before wiring as your local requirements may be different.**

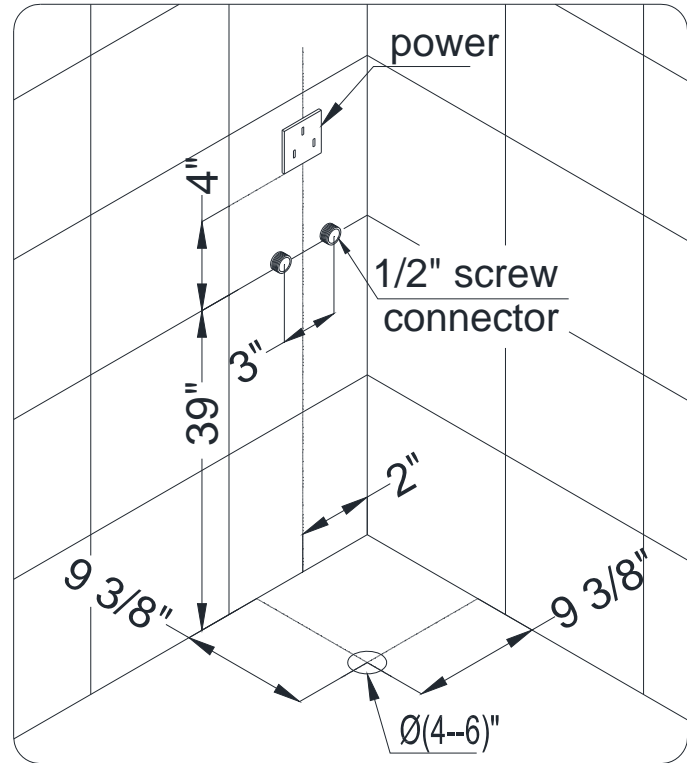


Fig. 1

1. Place the **Shower base (05)** into desirable location where your cabin will be installed. Outline the drain location on the floor.

See Fig. 2 for details.

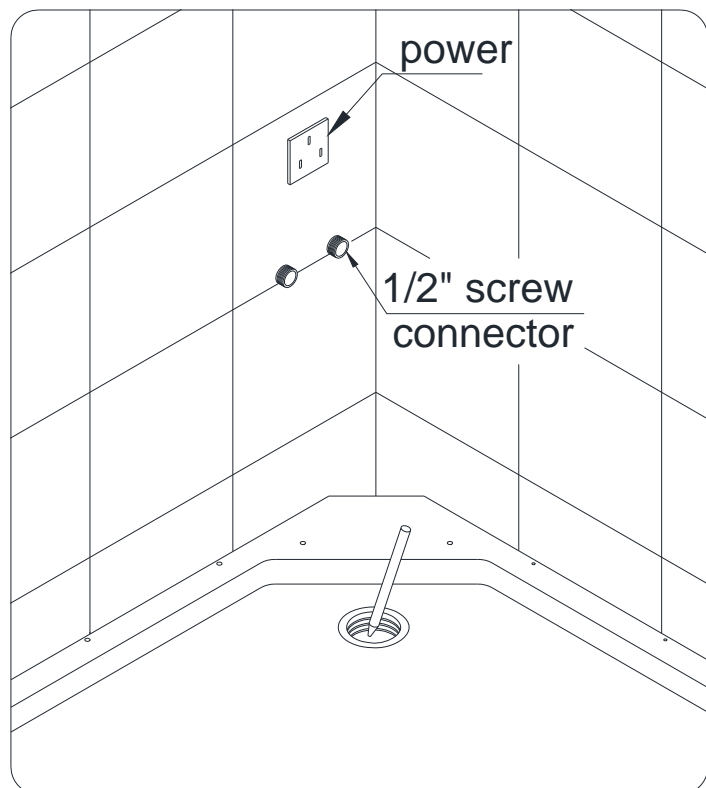
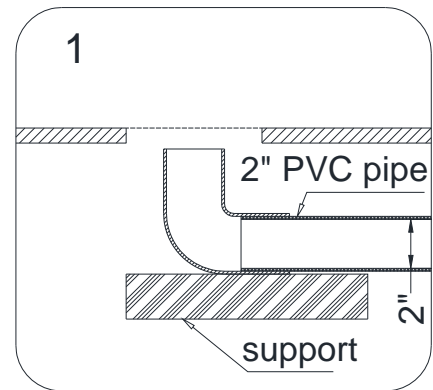


Fig. 2

2. Prepare the floor where the cabin will be installed. The floor must be **leveled**, strong enough and solid, and should be able to support total weight of the unit and its occupant. Install drain pipe according to the drawing.

**NOTE:** Upper edge of the 2" elbow or the bushing must be on the floor level or below the floor level.

See Fig. 3.1 for details.



3. Install the drain (**NOT PROVIDED**) onto the **Shower base (05)** according to the drain installation manual (supplied by the drain manufactory).

See Fig. 3.2 for details.

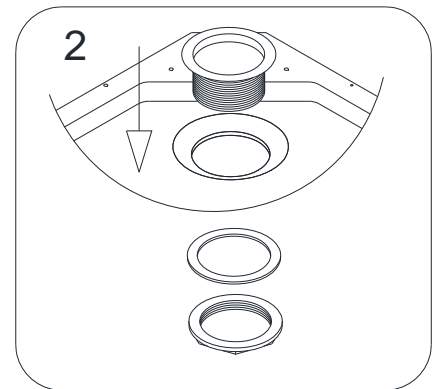


Fig. 3

4. Move the **Shower base (05)** into designated position. Check the level of the **Shower base**, alignment of the drain pipe and the drain.

See Fig. 4 for details.

**NOTE:**

**If the drain pipe needs to be adjusted – do it now.**

**If the Shower base is not leveled, move the Shower base out and re-level the floor. Place the Shower base back into designated position and check the level of the Shower base again.**

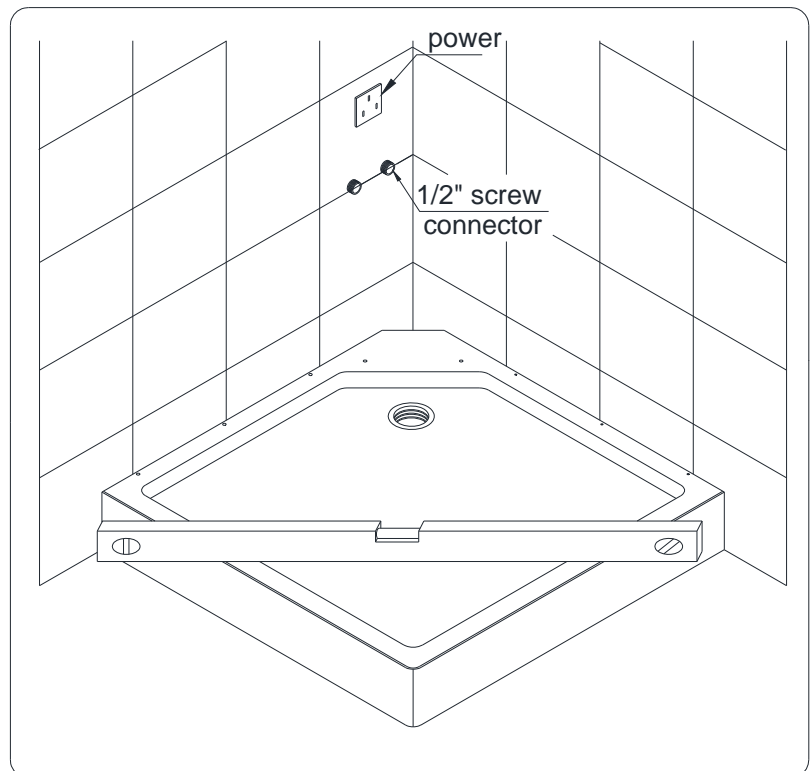


Fig. 4

## Steam Cabin assembly and installation steps

5. Move the **Shower base (05)** out and apply silicone along the holes onto the top of the **Shower base**.

See Fig. 5 for details.

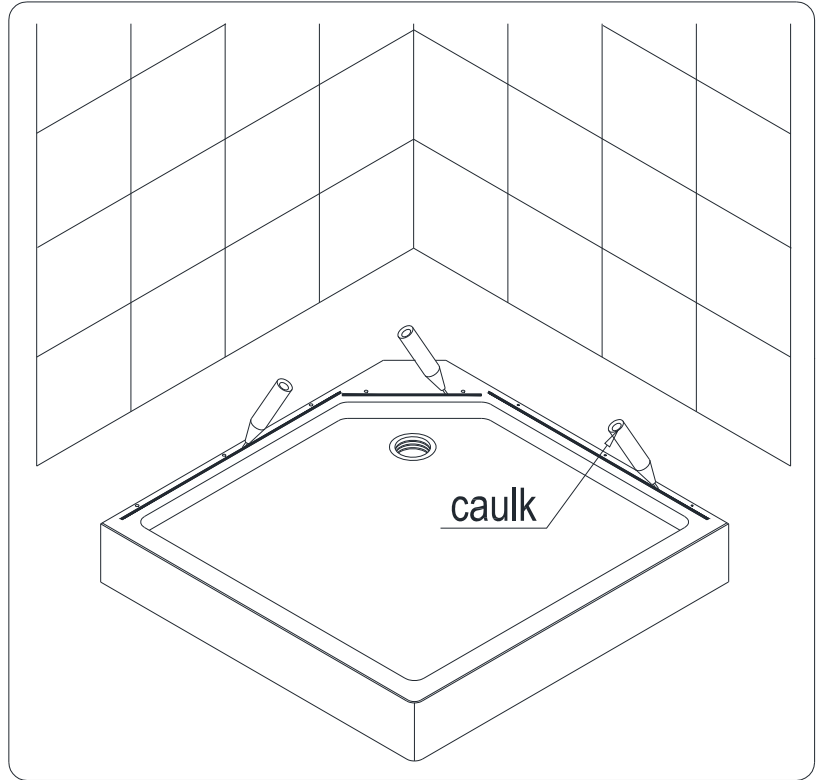


Fig. 5

6. Place the **Rear Left stationary glass (02)** onto the **Shower base (05)** and secure it with the **Flat head screws ST4.2×25 screws (13)**.  
Place the **Rear Right stationary glass (03)** onto the **Shower base** and secure it with **Flat head screws ST4.2×25 screws**.

See Fig. 6 and Fig. 9 for details.

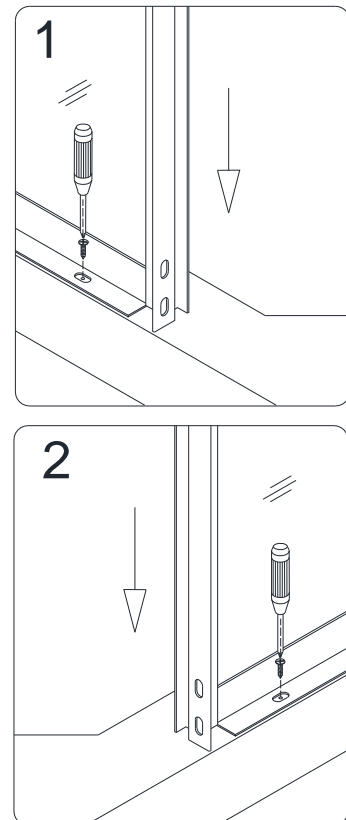


Fig. 6

7. Attach the top **Fixing bracket (19)** to both **Rear stationary glass** panels with the **Bolt M4×16 (09)**.

See Fig. 7 and Fig. 9 for details.

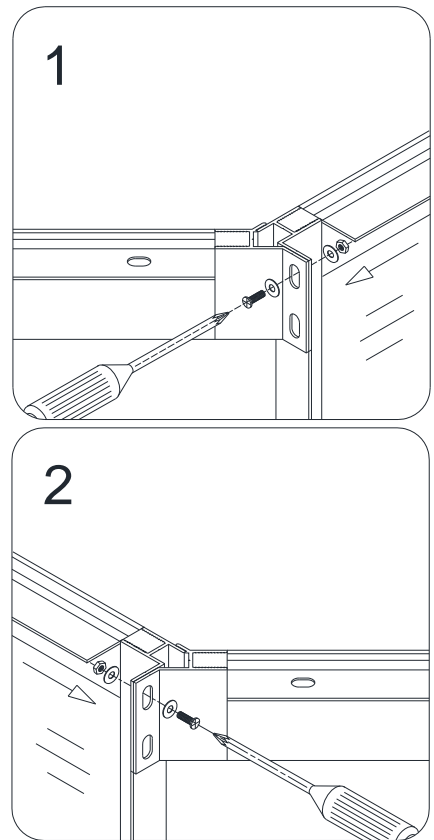


Fig. 7

8. Attach the bottom **Fixing bracket (19)** to both **Rear stationary glass** panels with **Bolt M4×16 (09)** and secure it to the **Shower base (05)** with the **Flat head screws ST4.2×25 (13)**.

See Fig. 8 and Fig. 9 for details.

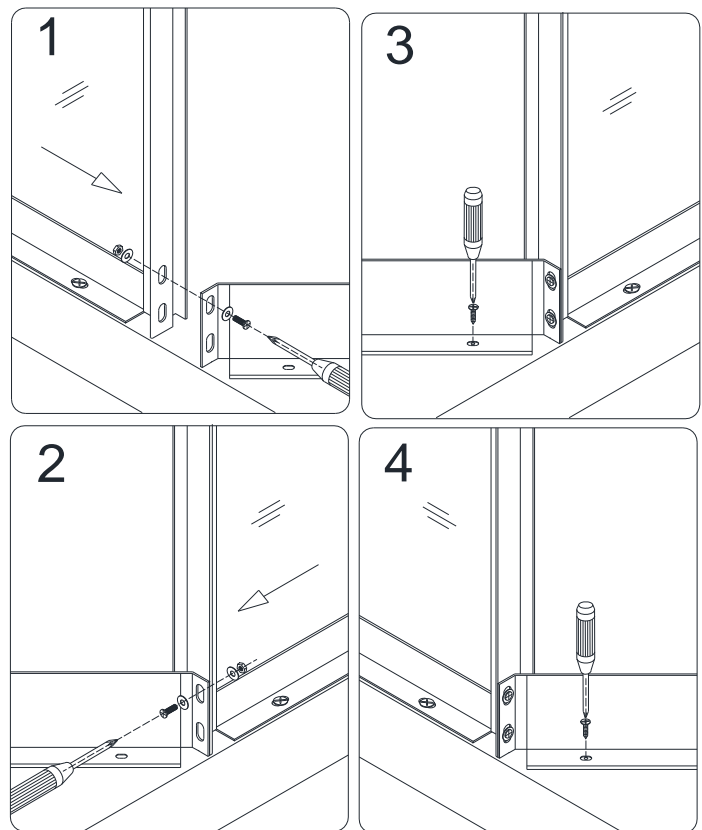


Fig. 8

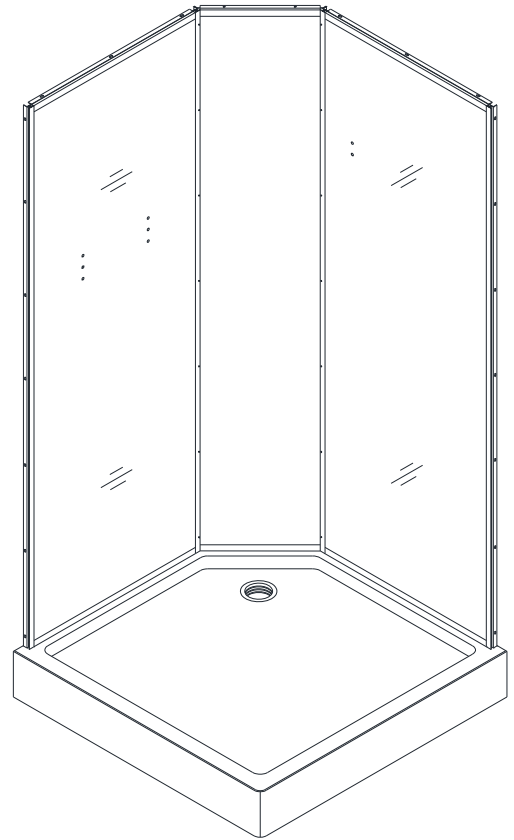


Fig. 9

9. Mount the **Hand shower bracket (16)** to the **Rear right stationary glass (03)** and the **Glass shelf holders (15)** to the **Rear left stationary glass (02)**.

See Fig. 10 for details.

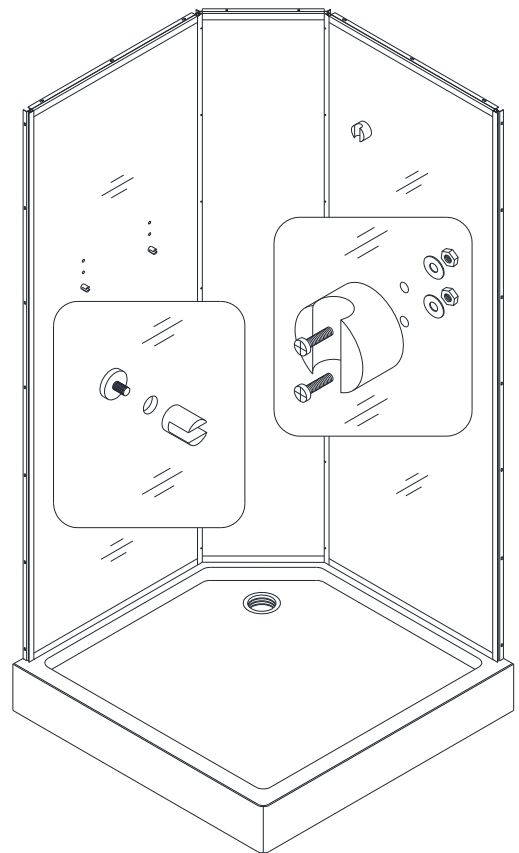


Fig. 10

10. Insert the **Rail connector (08)** into the guide rails of the **Front stationary glass panels (06)**. Drill the hole into the first wall of the **Rail connector** through predrilled hole on the guide rails using  $\text{Ø}1/8''$  drill bit. Fasten top and bottom **Rail connectors** to the guide rails with **ST4.2×10 screws (10)**.

See Fig. 11 and Fig. 12 for details.

**NOTE:**

**To prevent braking down the Rail connector, do not overtight the screws.**

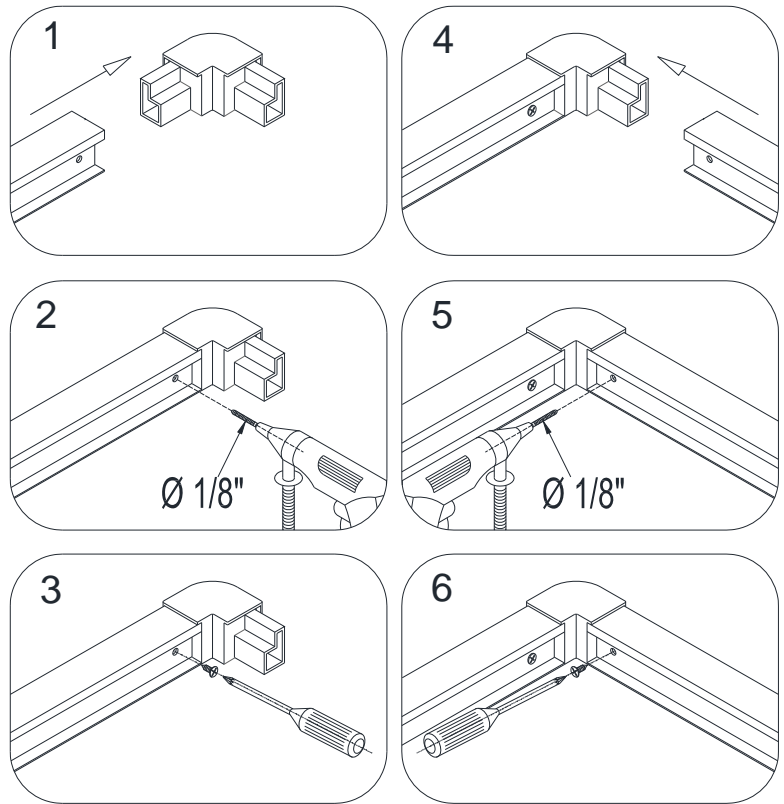


Fig. 11

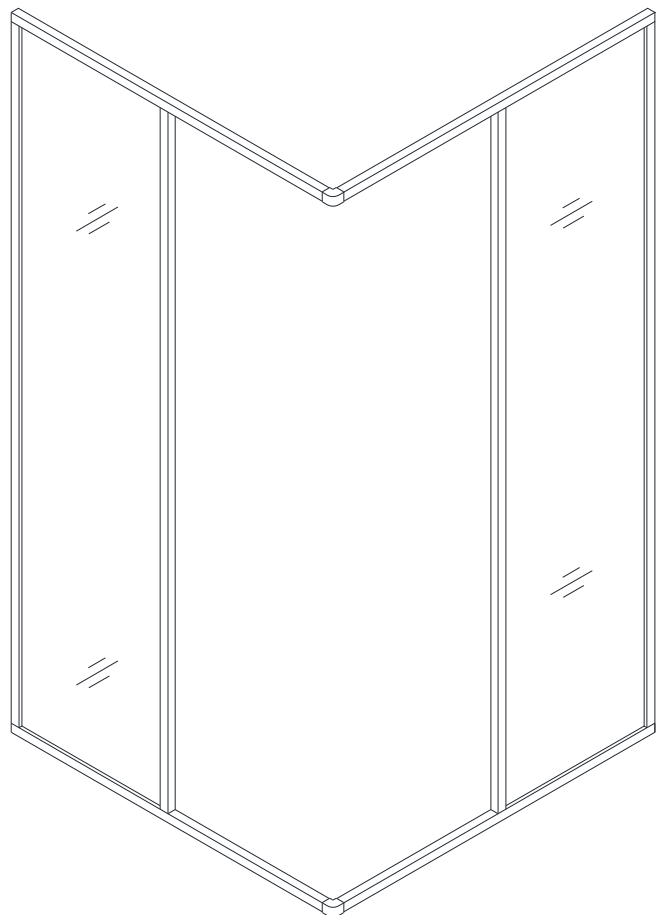


Fig. 12

11. Carefully carry the assembled **Front stationary glass panels (06)** onto the **Shower base (05)** and butt it up against the **Rear stationary glass** assembly.

See Fig. 13 for details.

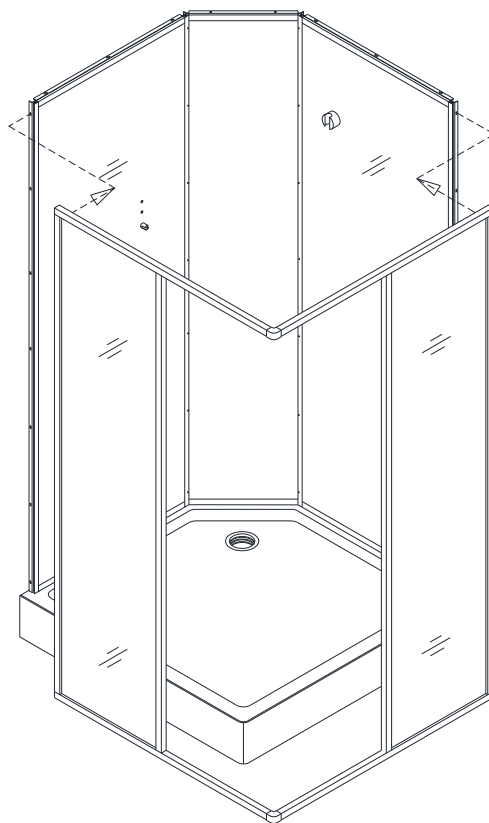


Fig. 13

12. Secure the **Front stationary glass panel assembly** to the **Rear stationary glass** assembly with the **Flat head screw ST4.2×16 (12)**.

See Fig. 14 and Fig. 16 for details.

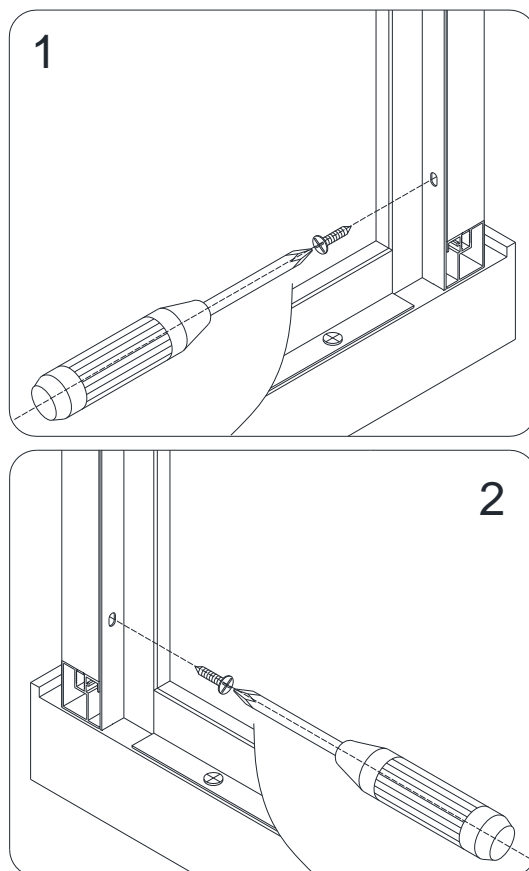


Fig. 14

13. Insert two **Wheel assemblies (25)** into the groove of the upper guide rail; then suspend the **Glass door (07)** onto the **Wheels** and fasten them together with the **Bolts M5×8 (24)**.

See Fig. 15 and Fig. 16 for details.

Repeat the same step for the bottom guide rail.

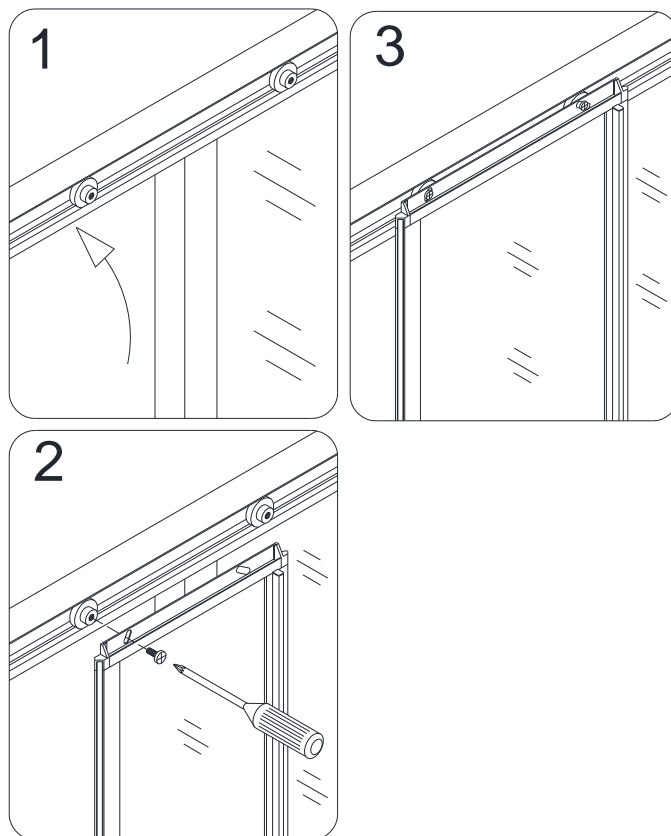


Fig. 15

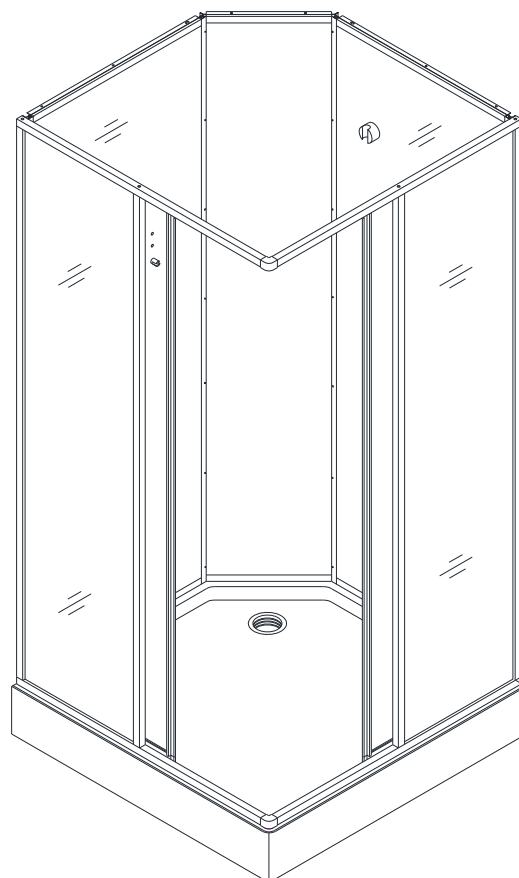


Fig. 16

14. Apply the silicon sealant onto the top aluminum profiles of the **top Fixing bracket (19)**, the **Rear Left & Right stationary glasses** and the **Front Left & Right stationary glass panels**.

Place the **Roof (4)** onto the shower enclosure assembly and attach it to the **Rear Right and Left stationary glass panels** and the **top Fixing bracket** with the **ST4.2×25 screws (13)**.

See Fig. 17 for details.

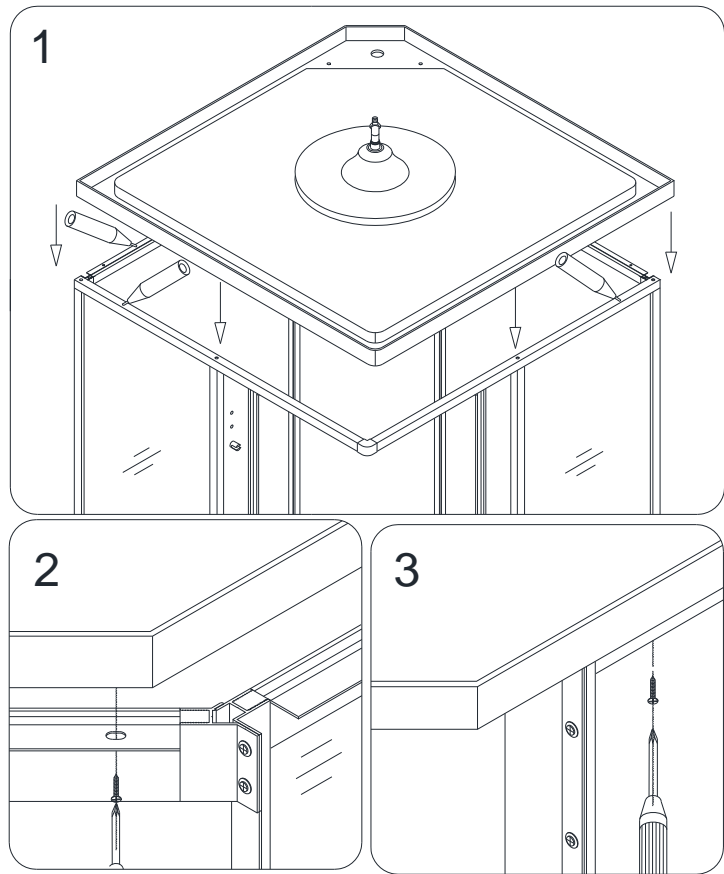


Fig. 17

15. Insert the **Glass shelf (17)** into the **Glass shelf holders (15)** and fasten the set screw from bottom of the **Glass shelf holders**. Install the **Shelf guardrail (18)** to the **Rear left stationary glass (02)**.

See Fig. 18 for details.

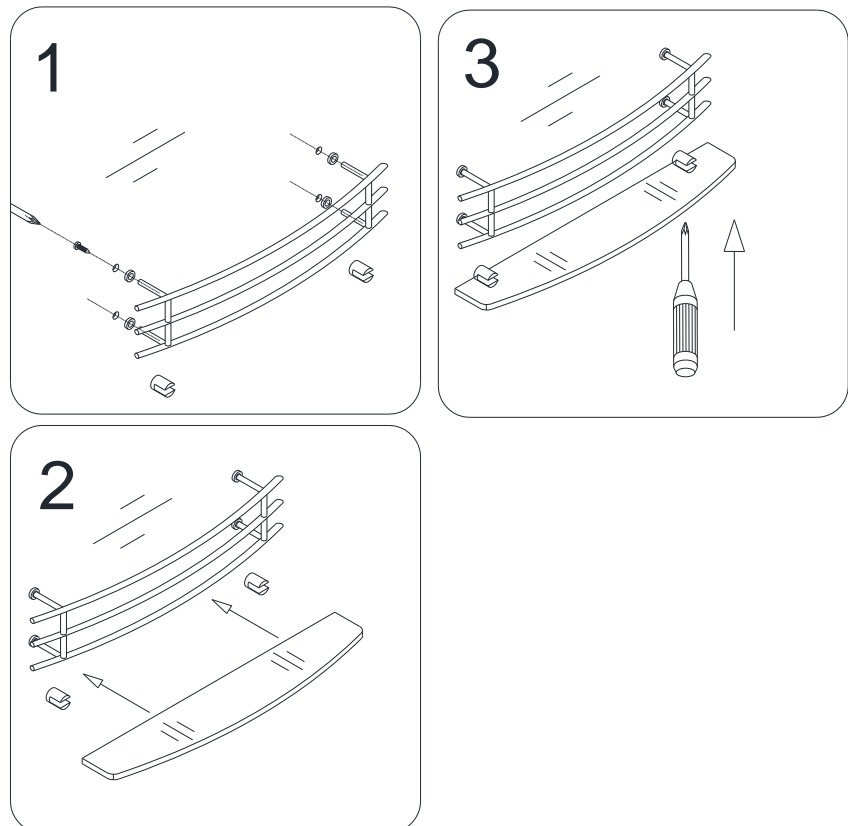


Fig. 18

16. Attach the **Bracket for steam generator (20)** onto the **Shower base (05)** with the **Flat head screw ST4.2×25 (13)**.

Place the **Steam generator (22)** onto the bracket and secure it with the **Bolt M8×12 (23)**.

See Fig. 19 for details.

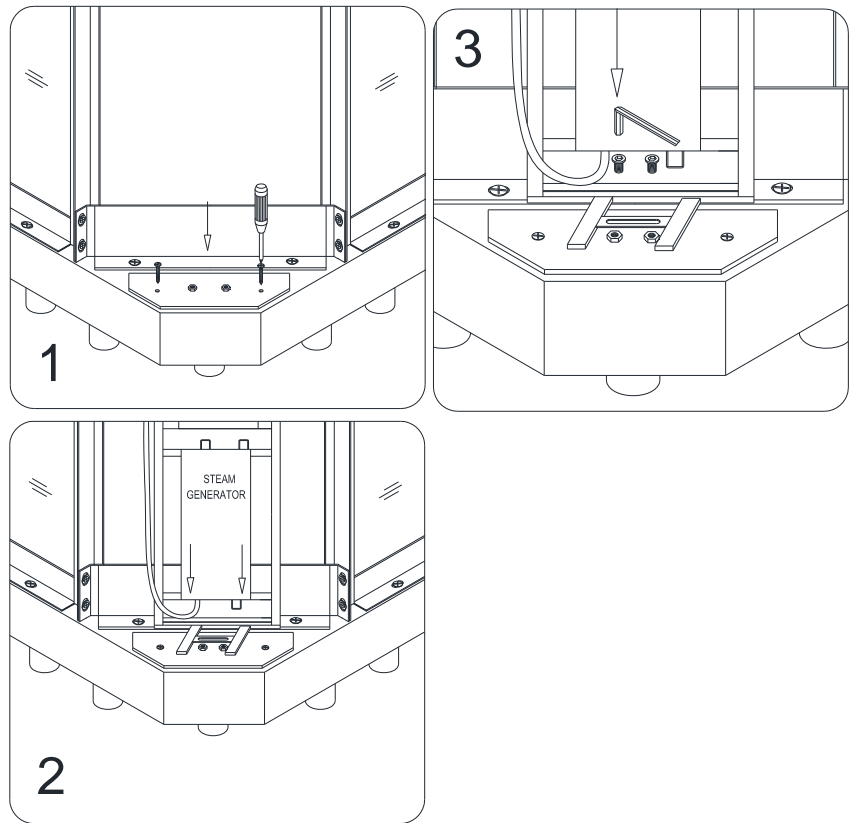


Fig. 19

17. Connect the shower head connector and its hose. Pull the top light wire from the roof to the Steam generator compartment and connect it.

18. Move the shower cabin assembly into the required position.

See Fig. 20 for details.

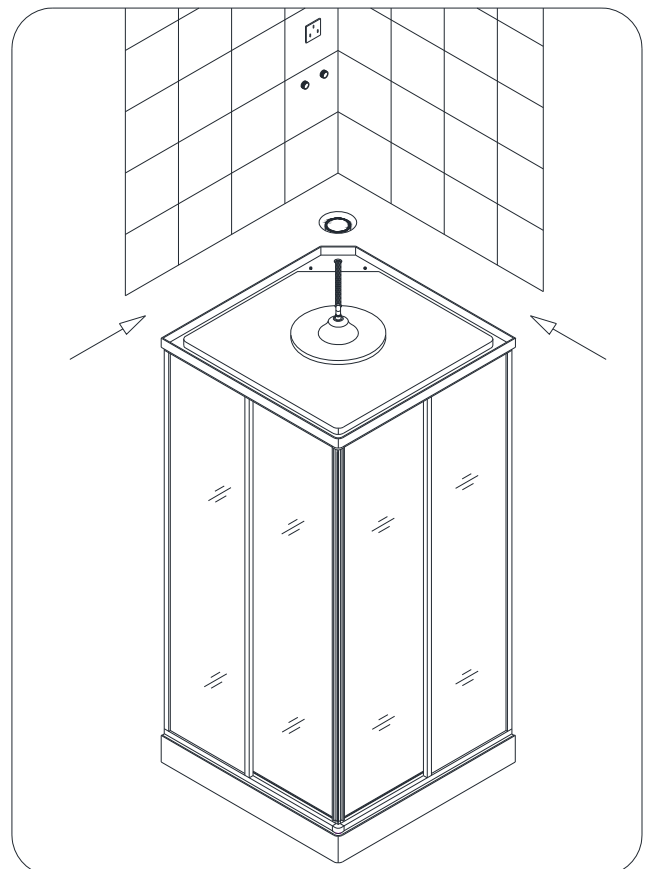


Fig. 20

19. Measure the distance from straight part of the elbow or bushing to the top of the drain below top surface for 1/2".

See Fig. 21.1 and 21.2 for details.

Cut the piece off the 2" PVC pipe according to the measurements.

See Fig. 21.3 for details.

Clean the PVC pipe and elbow according to the PVC glue manufactory instructions. Apply the PVC glue to the elbow and PVC pipe and push the pipe down into the elbow. Hold it for 45 sec to 1 min to glue them together.

See Fig. 21.4-21.6 for details.

After the glue had settled finish the assembling of the drain according to the drain manufactory instructions.

See Fig. 21.7-21.8 for details.

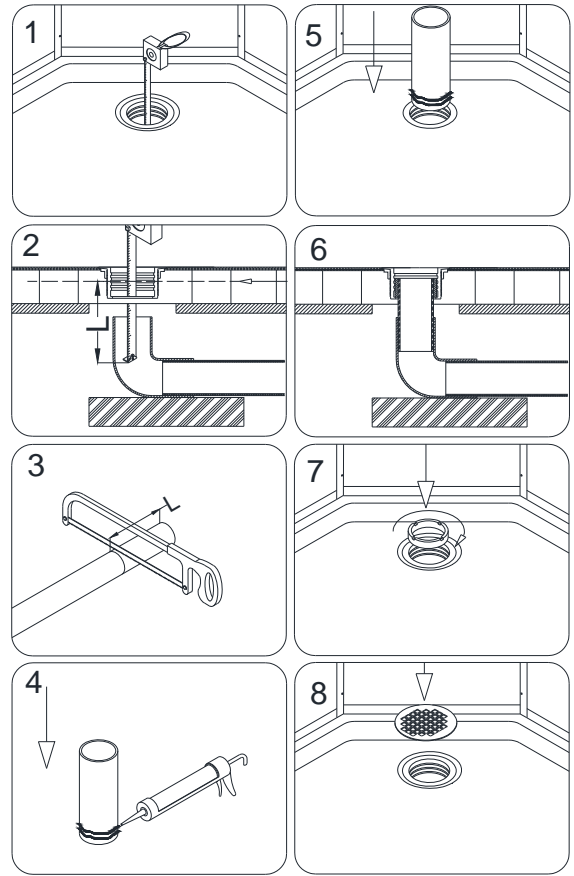


Fig. 21

20. Bring the **Control panel (01)** inside the cabin.

See Fig. 22 for details.

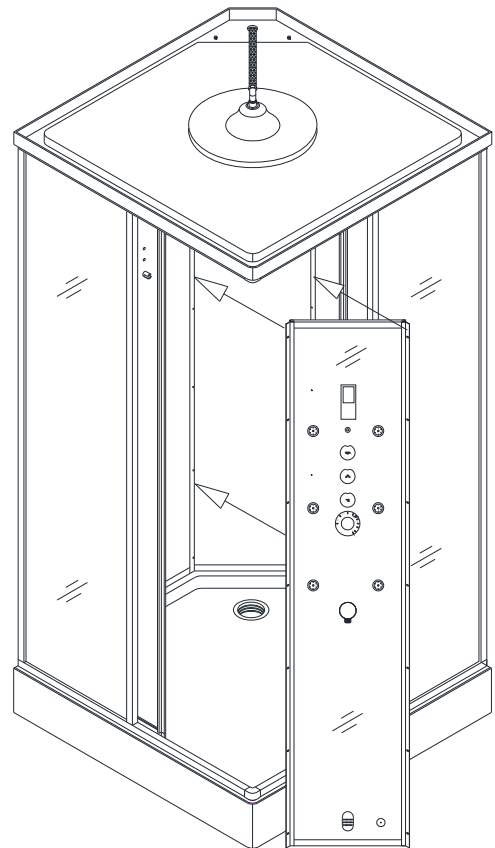


Fig. 22

21. Connect hot water supply line to the red mark water inlet and cold water supply line to the blue mark water inlet.  
Connect the steam generator supply line and head shower water tubing to the valve.

**NOTE:**

Make sure all water connections are water tight.

See Fig. 23 for details.

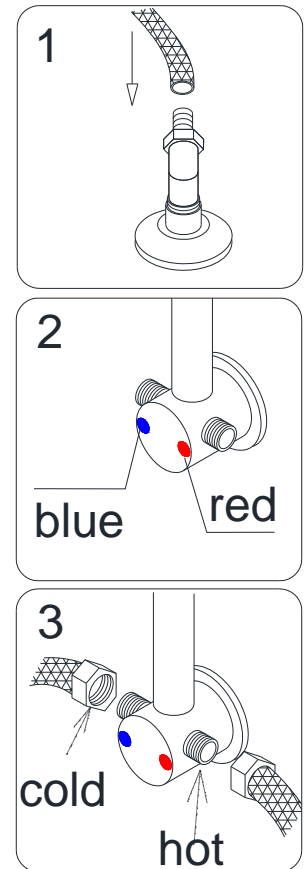


Fig. 23

22. Connect the steam generator circuit, according to the wiring diagram.  
Connect power cable to the power supply box.  
Wires marked L1 and L2 are HOT wires, G – ground.

See Fig. 24 for details.

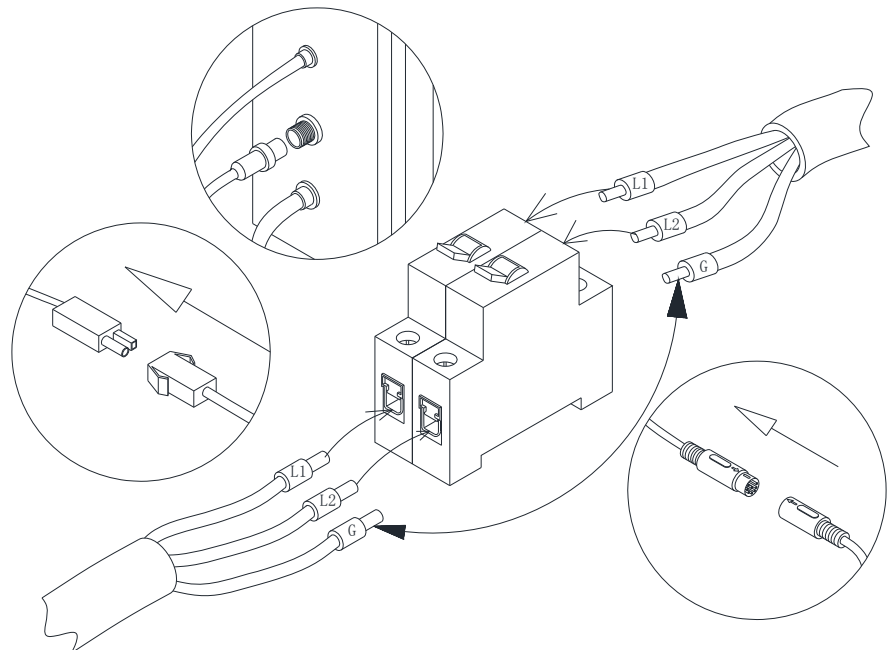


Fig. 24

23. **Check all the components for any leakage or problems; open each valve to see how it works, check thermostatic or mixer valve for hot and cold water. You may need to tighten some connections (during storage and transportation connections may get loose).**

24. Turn on power and run the steam generator. Run it for 5 minutes then turn steam button off. Turn the light on to test it. Then turn off the power button on the control panel and wait until auto drain is turned on (approx. 5-20 min.) You will see as hot water will run from the drain head at the bottom of the control panel. **Do not stay inside of the cabin. The water is very hot and you can get burn.**

**ATTENTION:**

**You can continue the installation only after the hot water from auto drain stop running and the floor inside the cabin will cool down.**

If your connections are water tight and steam generator functions correctly you can continue to the next step.

25. Attach the **Control panel (01)** to the **Rear Left and Right stationary glass** panels with the **Flat head screws ST4.2×10 (11)**.

Cover exposed screw heads with **Decorative covers (14)**.

See Fig. 25 for details.

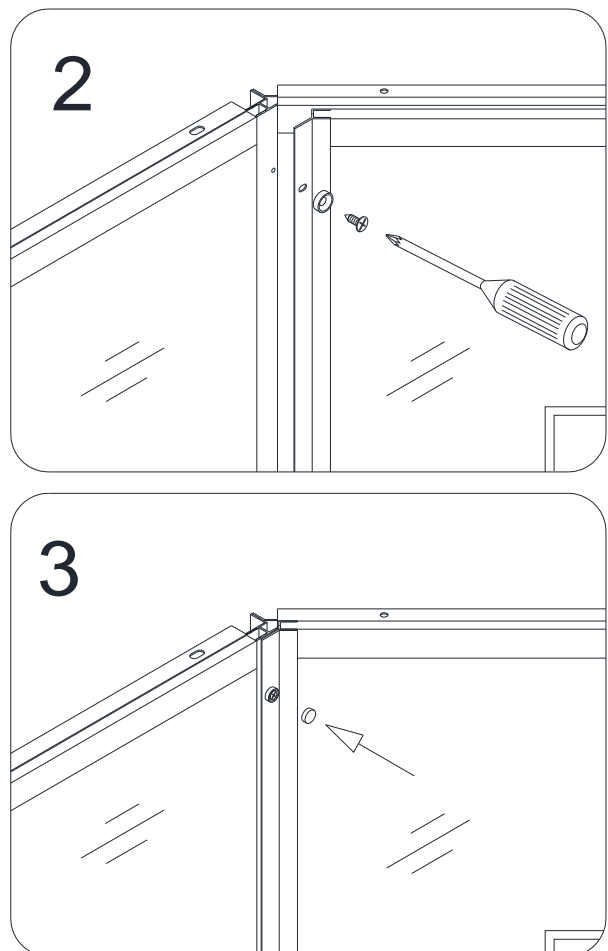


Fig. 25

26. Use the Phillips screwdriver #2 (**do not use power screwdriver**) to adjust the top and bottom wheels, and make sure the doors moves smoothly and closes tight.

See Fig. 26.1 for details.

27. Connect the **Shower hose (27)** to the water outlet on the control panel and then connect the **Hand shower (26)** to other end of the **Shower hose**.

See Fig. 26.2 and 26.3 for details.

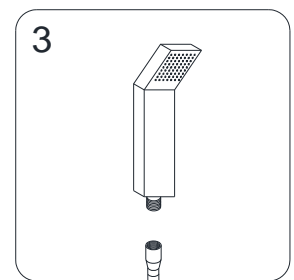
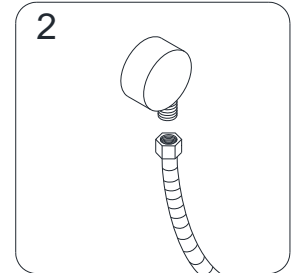
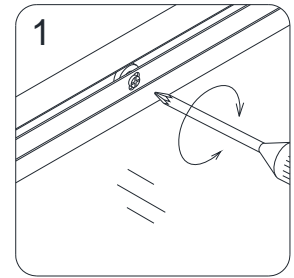


Fig. 26

28. Seal with silicone all the connections between the vertical profiles and the control panel, all walls, the roof and the tray. Let the silicone dry for at least 24 hours before using the cabin.

See fig. 27 for details.

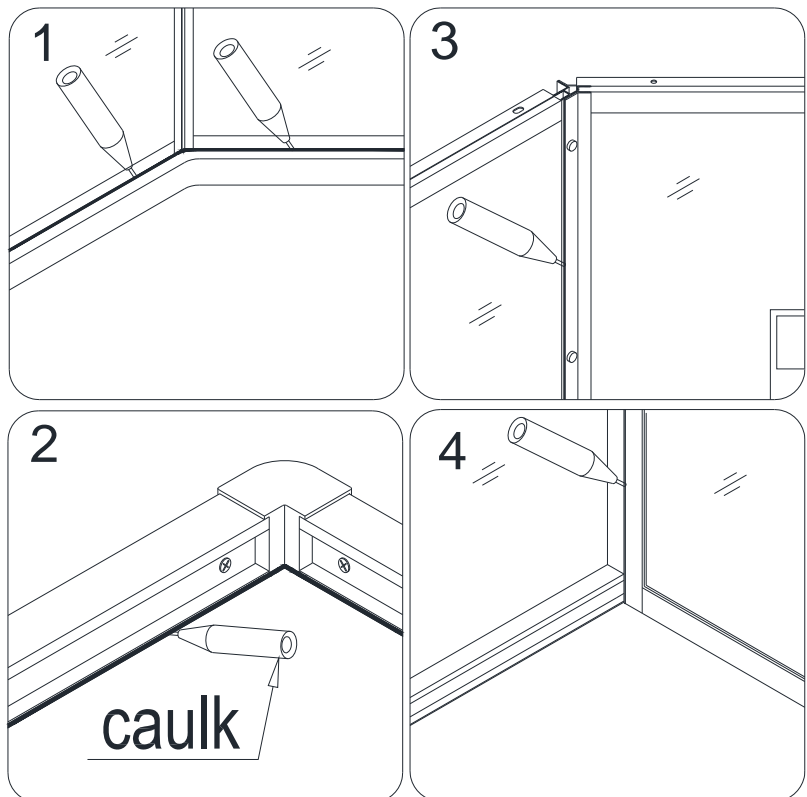


Fig. 27

29. Outside handle position view.

See Fig. 28.1 for details.

Inside handle position view.

See Fig. 28.2 for details.

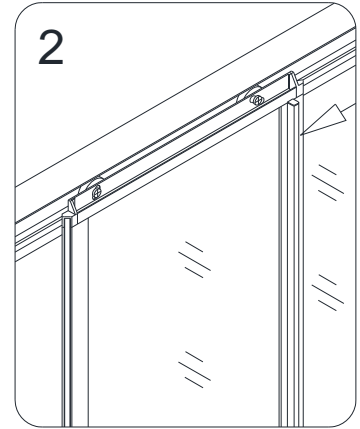
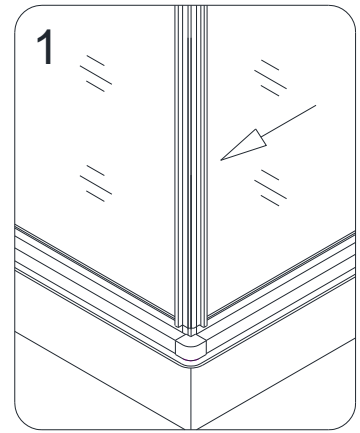
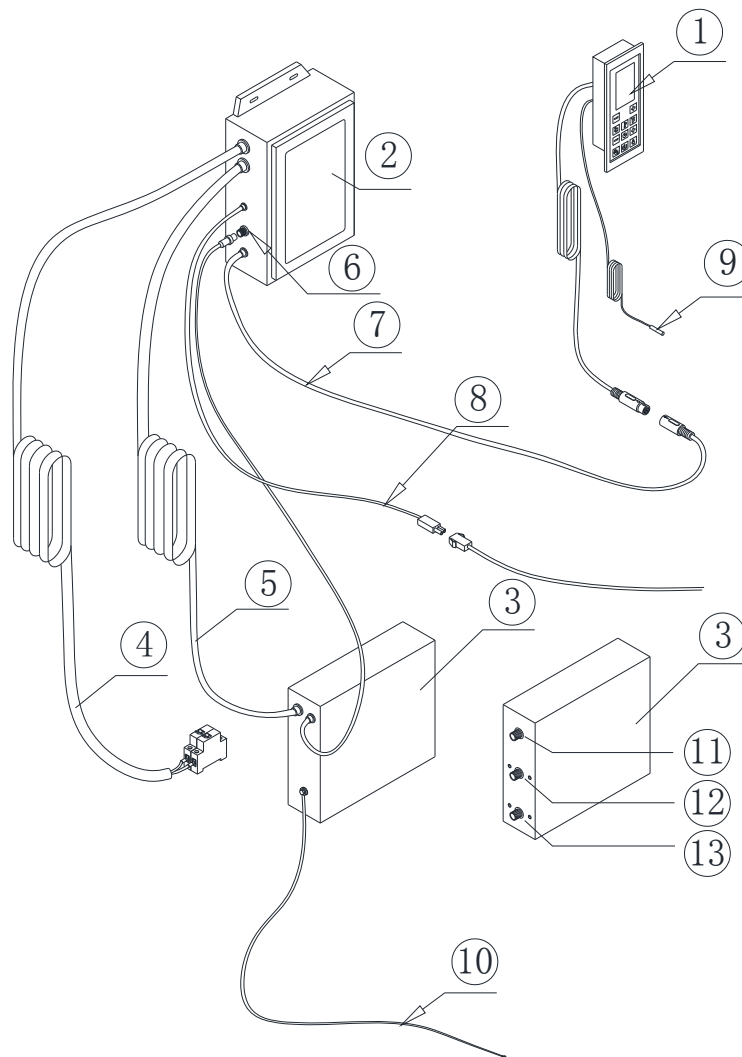


Fig. 28

# Steam system power cable connection diagram

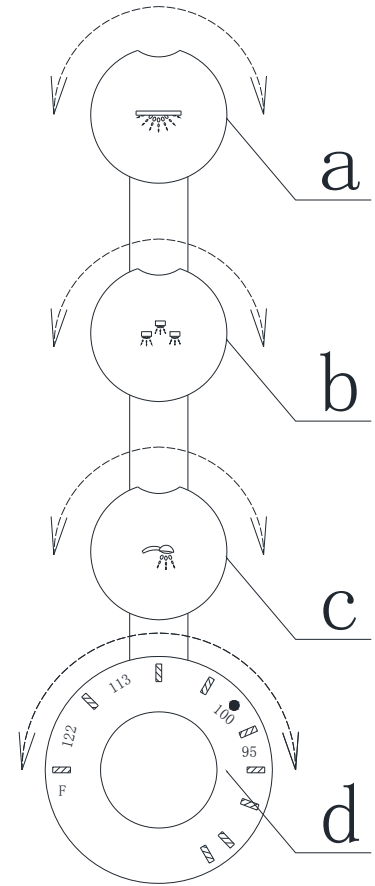
Please note that for maintenance of steam generator or checks on water supplies, you can reverse Step 25 to take off the control panel to gain access.



01	Control panel
02	Electronic Control Box
03	Steam generator
04	Power wire
05	Steam wire
06	Steam control wire
07	Control panel cable
08	Top light power cable
09	Temperature probe
10	Ground cable
11	Steam outlet
12	Steamer water inlet
13	Steamer remain water outlet

## Thermostatic Valve Using Controls

- Valve "a" turns on water of the "tropical rain" head shower.
- Valve "b" turns on water of eight massage jets.
- Valve "c" turns on water of the hand shower.  
(Turning the revolve cover of the shower head will change water pattern).
- Thermostatic valve "d" adjusts water temperature on all valves you are using.



## Steam generator control display.



## Function Illustration of the Control Board

### Performance

- The control uses a blue color back light liquid crystal display with white back light induction type touching key.
- Turning the steam on fills up the generator with water automatically.  
When shutting down the system an automatic water drain system turns on.
- Includes steam, light and fan control functions.
- Steam temperature regulation range:
  - Centigrade temperature 30~60C
  - Fahrenheit temperature 86~140F
  - Steam time regulation range: 0~60 minutes.
- Automatic temperature controls also include tracking of excess temperature, over pressure and power leakage protection function.

### Operation Instructions:

#### ✧ **Switch-on:**

Push the power switch, the present cabin temperature is shown on the display, the top light turns on, and the system stays in the state of readiness.

#### ✧ **Steam:**

Push the steam key directly to turn steam function on or off.

#### ✧ **Temperature-set:**

Push temperature setting key, ambient temperature is shown on the screen.

Push the "temperature +" or "temperature -" key to get the wanted steam temperature.

The temperature will gradually increase or decrease within 30 ~ 60°C. "Celsius" displays the Celsius temperature; "Fahrenheit" displays Fahrenheit temperature. If the ambient temperature in the cabin is higher than that set by the steam bath temperature, the steam generator cannot be started.

#### ✧ **Time-set:**

Press the time setting key and the steam generator and control go into the time-set state; and push the "time +" or "time -" key to get desired time of the steam bath. The time range is 5~60 minutes.

#### ✧ **Lighting:**

Push the light key, and the light and the fan can be switched on or off.

#### ✧ **Switch-off:**

Push the power key to shut down the system.

**If not using steam options/control for a long time – we suggest that you switch off the main electric power of the units**

## Warnings

- ◆ Do not connect this steam shower with other electric appliances not recommended by DreamLine™, and do not take apart the hermetically sealed lines or the electric lines from the power box.
- ◆ A drainage pipeline shall be fixed to auto-drain valve of the main steam generator, and it's better to add a water filter before the water entrance to increase generator's service life.
- ◆ The steam generator should be working with water hardness levels 60-120 mg/l. If hardness of your water more than recommended it can cause "scale" (mineral build up in pipes and plumbing fixtures). Scale can cause of your steam unit damage. You need to treat your water. Water softeners are the most frequently used of all water-conditioning devices and are installed for reducing hardness for private wells and utility supply with high levels of calcium or magnesium.
- ◆ The line from the power box shall be plugged according to the digit capacity and the size. Do not short circuit.
- ◆ The steam generator is complicated option and shall be installed by the qualified and authorized technical persons.
- ◆ **DreamLine™ shall not be responsible for negative consequences due to any incorrect installation or improper operations per instructions listed above.**

## Product Maintenance

1. The tempered glass can be cleaned with nonabrasive bathroom cleaner or any glass cleaner you use elsewhere in your home. Rinse off any glass cleaner that gets on the aluminum as soon as possible to avoid damage to the anodized surface. Avoid striking glass with any sharp or hard objects. Such damage can cause either immediate or delayed breakage of tempered glass.

2. The aluminum parts of your shower door are durable and resistant to the water damage. It is advisable, but not necessary to wipe it with your towel after using the shower. Clean it as often as needed to keep the buildup off. Never use any type of abrasive cleaner. Use only a soft damp cloth and nonabrasive bathroom cleaners.

3. Maintenance of wheel:

A: for plastic wheel, use a little lubricating oil to keep it smooth and long last.

B: for metal wheel, except adding of oil, if shower has not been used for a long time, you can dry the wheel and put a little grease to keep it well working conditions.

C: Adjust wheel screw periodically to guarantee moving door effective bearing and sliding.



## **This is Bath Authority LLC's ("DreamLine") exclusive written warranty effective April 1, 2011**

This warranty extends only to the original owner/end-user for household use only and is not transferable to a subsequent owner. This warranty applies only to DreamLine™ products purchased from an authorized dealer and installed in United States or Canada. Proof of purchase (original sales receipt) must be provided with all warranty claims. **In no event shall the liability of DreamLine™ exceed the purchase price of the unit.**

If DreamLine™ shower doors, shower enclosures and shower bases are used commercially, DreamLine™ warrants such products to be free from defects in material and workmanship for one (1) year from initial date of purchase from an authorized dealer, with all other terms of this warranty applying except duration. If DreamLine™ vanities, vessel sinks and shower columns are used commercially, DreamLine™ warrants such products to be free from defects in material and workmanship for three (3) months from initial date of purchase from an authorized dealer, with all other terms of this warranty applying except duration. **DreamLine™ Jetted and Steam Shower Cabins are not intended for commercial use and there is no warranty extended for these products for commercial use.** DreamLine™ is not responsible for loss of use or profit under any circumstances.

DreamLine™ hereby disclaims all warranties for products sold as a dealer or store displays. DreamLine™ hereby disclaims all warranties for products used outside of the United States or Canada whether expressed or implied, including but not limited to the implied warranties of merchantability and fitness for a particular purpose.

DreamLine™ will, at its election, repair, replace with product of equal value or make appropriate adjustment where DreamLine's analysis or inspection of warranty claim discloses any such defects occurring in normal usage within the warranty period. DreamLine warranty obligation shall be discharged upon tender of replacement or repair. Purchaser's refusal to accept the tender terminates warranty obligation.

Cost of freight for returning products to DreamLine™ for repairs or replacement under this limited warranty are the responsibility of the customer. Cost of freight associated with shipping of replacement product or parts to the customer may be charged to customer. Any product replaced or repaired during the warranty period will be covered only for the remaining period of the original warranty. In no event will DreamLine be liable for costs of repair or replacement of any installation material, including but not limited to tiles, marble, etc. **DreamLine™ is not responsible for installation, removal or reinstallation costs of any product requiring warranty services.**

Improper modification or alterations of any DreamLine™ products will void the warranty. Any DreamLine products repairs must be performed by either a DreamLine authorized agent or a licensed experienced professional contractor. This warranty shall not apply to breakage or damages caused by normal wear and tear, fault, carelessness, abuse, misuse, misapplication, improper maintenance, alteration or modification of the unit, as well as chemical or natural corrosion, accident, fire, flood, act of God or any other casualty. Improper care and cleaning will void the warranty. Never use cleaners containing abrasive cleansers, ammonia, bleach, acids, waxes, alcohol, solvents or other products not recommended for chrome or similar finish, glass or acrylic. This will void the warranty. For additional product maintenance instructions please refer to product installation manuals. The warranty does not extend to any non-DreamLine™ plumbing or components installed by installers, end users or by any party other than DreamLine™.

**THE FOREGOING WARRANTIES ARE IN LIEU OF ALL OTHER WARRANTIES, EXPRESSED OR IMPLIED, INCLUDING BUT NOT LIMITED TO THE IMPLIED WARRANTIES OF MERCHANTABILITY AND FITNESS FOR A PARTICULAR PURPOSE. BATH AUTHORITY LLC ("DREAMLINE") AND/OR SELLER DISCLAIM ALL LIABILITY FOR SPECIAL, INCIDENTAL OR CONSEQUENTIAL DAMAGES. DREAMLINE™ IS NOT LIABLE FOR PERSONAL INJURIES OR DEATH TO ANY PERSON OR FOR ANY DIRECT, SPECIAL, INCIDENTAL OR CONSEQUENTIAL DAMAGE, LOSS OF USE, LOSS OF TIME, LOSS OF PROFITS, INCONVENIENCE, INCIDENTAL EXPENSES, LABOR OR MATERIAL CHARGES, OR ANY OTHER COSTS RESULTING FROM THE USE OF ITS PRODUCTS OR PERTAINING TO THE APPLICATION OF THE PRESENT WARRANTY, OR RESULTING FROM THE REMOVAL OR REPLACEMENT OF ANY PRODUCT OR ELEMENT OR PART COVERED BY THIS WARRANTY.**

DreamLine™ is not responsible for product code compliance or for verifying code restrictions on installation or use and any such compliance is excluded from this warranty. DreamLine™ reserves the right to modify this warranty at any time - such warranty modification will not alter warranty applicable at the time of sale of the products in question. The warranty terms for specific products are:

### **SHOWER DOORS, SHOWER ENCLOSURES AND SHOWER BASES**

DreamLine™ warrants shower doors, shower enclosures and shower bases to be free from defects in workmanship and materials under normal residential use for a period of five (5) years from the initial date of purchase by the owner/end-user, contractor or builder from an authorized dealer.

### **SHOWER CABINS (JETTED & STEAM)**

DreamLine™ warrants glass, acrylic and finish to be free from defects in workmanship for a period of five (5) years from initial date of purchase by the owner/end-user, contractor or builder from an authorized dealer; and plumbing, electrical and steam generator components for a period of one (1) year from the initial date of purchase by the owner/end-user, contractor or builder from an authorized dealer.

### **SHOWER COLUMNS**

DreamLine™ warrants shower columns to be free from defects in workmanship and materials under normal residential use for a period of one (1) year from the initial date of purchase by the owner/end-user, contractor or builder from an authorized dealer.

### **VANITIES AND VESSEL SINKS**

DreamLine™ warrants bathroom vanities and vessel sinks to be free from defects in workmanship and materials under normal residential use for a period of one (1) year from the initial date of purchase by the owner/end-user, contractor or builder from an authorized dealer.

Some states/provinces do not allow limitations on how long an implied warranty lasts, or the exclusion or limitation of special, incidental or consequential damages, so these limitations and exclusions may not apply to you. This warranty gives you specific legal rights. You may also have other rights, which vary from state/province to state/province.



---

TEL: 866-731-8378 – 215-957-1411

FAX: 866-227-9245 – 215-893-1780

[www.BATHAUTHORITY.COM](http://www.BATHAUTHORITY.COM)

For more information on [DreamLine™ Jetted & Steam Showers](http://www.BathAuthority.com) please visit [www.BathAuthority.com](http://www.BathAuthority.com)