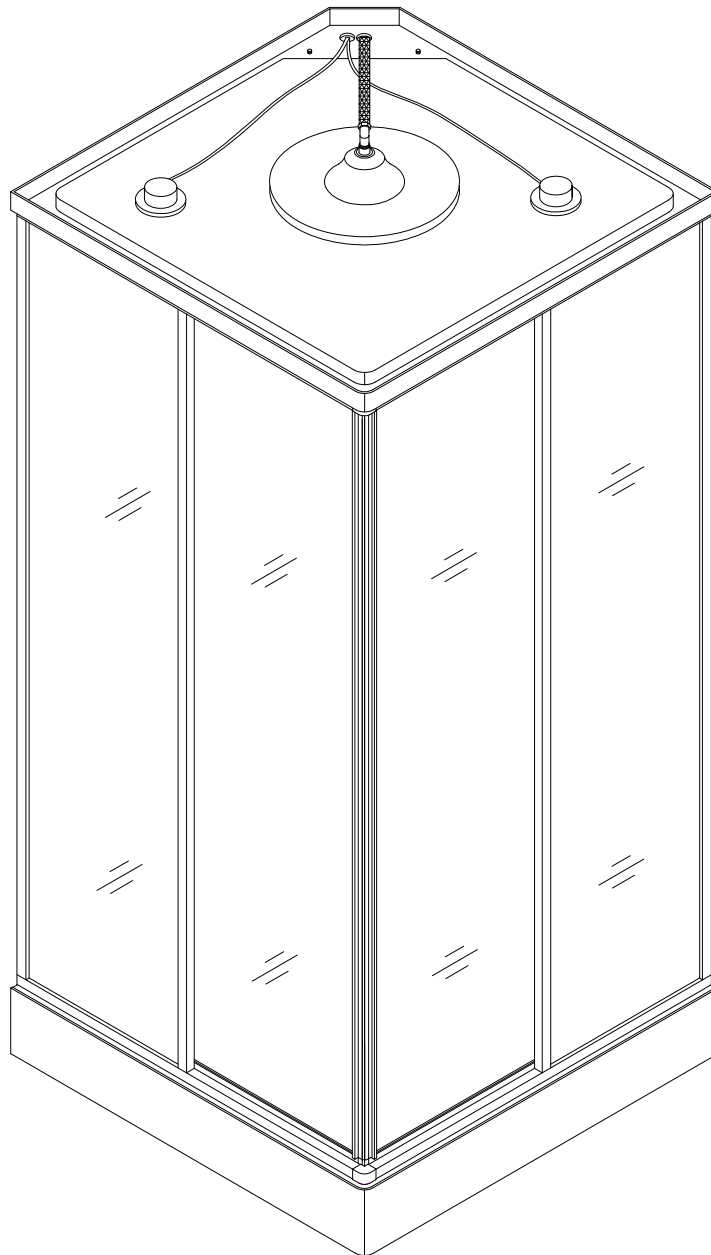




Reflection Steam room Installation Instructions

IMPORTANT

Please read carefully the following instructions before installing your shower cabin. If you have any questions on this shower cabin installation - please call our technical support specialists Monday to Friday 9:00AM – 5:00PM EST at 1-866-731-8378 Option 3 or e-mail our technical support group at support@BathAuthority.com



Our product may have changes without prior notice

WARNING

Please, make sure you do the following:

- ✓ Electrical grounding is required on the steam generator;
- ✓ All electrical supplies must be disconnected when servicing the steam generator;
- ✓ All wiring must be installed by a licensed electrician (please consult your local codes);
- ✓ All plumbing must be installed by a licensed plumber (please, consult your local codes);
- ✓ Never shut off water while steam generator is in use;
- ✓ Never touch the wiring while the unit is in use to avoid electric shock due to high voltage that runs in the equipment.

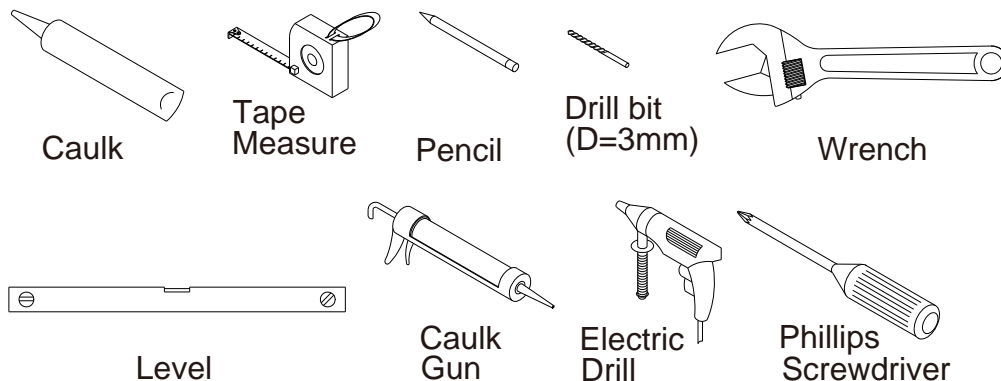
Follow these steps to avoid the risk of overheating or scalding:

- ✓ Exit the shower cabin immediately if you feel uncomfortable, dizzy or sleepy. By staying too long in a heated area you increase the risk of overheating;
- ✓ Do not touch the steam head. Keep 12" distance from the steam outlet when generator is in use;
- ✓ Make sure children are under supervision at all times;
- ✓ Consult your doctor before using the steam shower cabin if you are pregnant, diabetic, in poor health or under medical care;
- ✓ Do not use alcohol, drugs or medication in conjunction with taking a steam shower as this may cause unconsciousness.

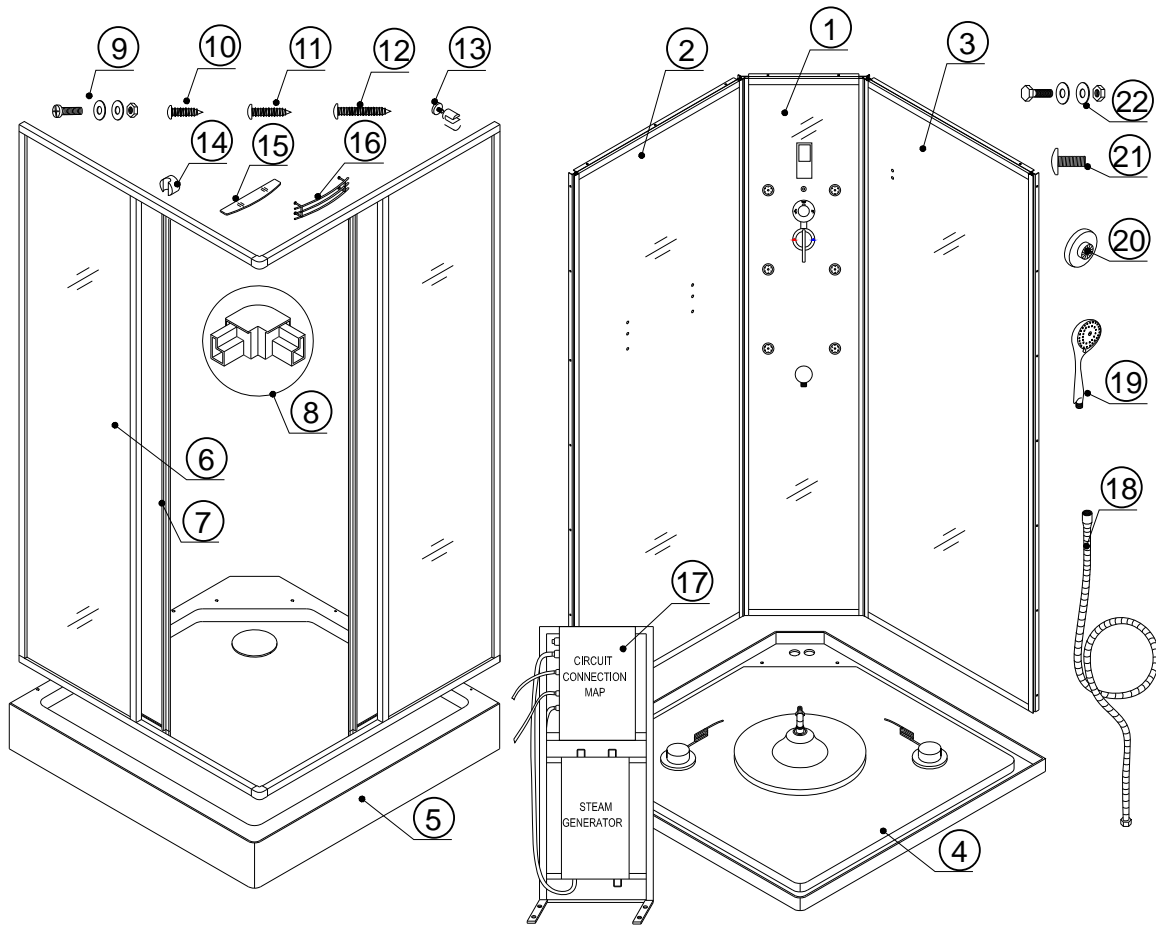
Preparation

1. After opening the boxes, read this introduction carefully, check all the packed parts are complete by cross checking all the components against the “Detailed Diagram of Shower Cabin Components”. Examine for shipping damage. If the unit has been damaged or has a finishing defect, please contact your local distributor within 3 business days. Please note that **Bath Authority™ / DreamLine™ will not replace any damaged product or parts free of charge after 3 business days or if the product has been installed.** Contact your distributor or DreamLine if you have any questions.
2. **Please note that you should consult your local building codes on questions on installation compliance standards. Building and plumbing codes vary by location, and DreamLine is not responsible for code compliance standards for your project.**
3. Install all of the required plumbing and drainage before securing the shower. **Use a competent and licensed (if required by local code) plumber for all plumbing installation and licensed electrician for all electric installation.**
4. Please insure that prior to the installation the floor is leveled and solid and will be able to support the total weight of the unit and its occupant. Also make sure the walls are at right angles. While some adjustment in leveling of the tray is possible, irregular floor level or improper angle of side walls will result in serious problems for your installation. Please, note that there are some adjustments and drilling might be necessary during the installation process.

Tools Required



Detailed Diagram of Shower Cabin Component



Packing List

01	Control panel	1pc	12	Round head screw ST4.2x25	16pcs
02	Left stationary glass	1pc	13	Glass bracket	2pcs
03	Right stationary glass	1pc	14	Hand shower bracket	1pc
04	Roof	1pc	15	Glass shelf	1pc
05	Tray	1pc	16	Guardrail	1pc
06	Stationary glass	2pcs	17	Generator assembly	1pc
07	Glass door	2pcs	18	Shower hose	1pc
08	Connector	2pcs	19	Hand shower	1pc
09	Bolt M4x16	14pcs	20	Wheel assembly	8pcs
10	Round head screw ST4.2x10	4pcs	21	Bolt M5x8	8pcs
11	Round head screw ST4.2x16	14pcs	22	Bolt M6x25 (with washer)	2pcs

After you have checked that all components are there, you will be ready to start the installation of your DreamLine shower cabin.

Cabin Installation

1. Choose the location where you will be installing the tray, mark the location of the tray because you may need to move it out from the position for better assembling procedure. Check on the drain if it is fastened tight enough to make sure it won't leak after complete tray installation.
2. Also check all the hose connections to prevent leakage. Your plumber may want to replace the drain flex hose to hard PVC pipes which is also possible (instructions are provided in the manual).
3. For installation of the drain in the floor please refer to the Legs and frame position (top view) diagram and fig1 (actual position of the drain and frame on the tray).
4. Install the water outlet and power supply box. You need 1/2" minimum water supply lines for hot and cold water with shut off valves. **Power supply is required 20A 220V dedicated #12 3/1 wire line with GFCI breaker.**
5. Place the **Tray (5)** in the required position. Adjust the legs to level the tray in case the surface is uneven. Fasten the counter nuts on the legs to secure the height. See Fig 2 for details.

NOTE: For steps 6, 7 and 8, it will be necessary to apply silicone sealant between the panels and the panels and tray.

6. Move the **Tray (5)** out; put the **Control panel (1)** onto the tray; then secure them with **Round head screws ST4.2x25 (12)**. See Fig 3 for details.
7. Locate the **Left stationary glass (2)** onto the tray. Secure the left stationary glass and the control panel with **Bolt M4x16 (9)**. Secure the tray and the left stationary glass with **Round head screws ST4.2x25 (12)**. See Fig 4 for details.
8. Repeat Step 7 to install the **Right stationary glass (3)**. Attach the **Glass bracket (13)** to the left stationary glass and the **Hand shower bracket (14)** to right stationary glass. See Fig 5 for details.
9. Locate the stationary glass panels from the package. Secure the **Connectors (8)** and the guide rail of the **Stationary glasses (6)** with **Round head screws ST4.2x10 (10)**. See Fig 6 for details.
10. Put two **Wheel assemblies (20)** into the groove of the upper guide rail; then locate the **Glass door (07)** to the position. Secure it using **Bolt M5x8 (21)**. See Fig 7 for details.
11. Put the shower enclosure assembly onto the tray. Drill holes on the glass profiles of the stationary glass; then secure them with **Round head screws ST4.2x16 (11)**. See Fig 8 and Fig 9 for details.
12. Apply the silicon sealant on the top aluminum profiles of the control panel (1), left and right stationary panels (2,3) and stationary glass (6). Put the **Roof (4)** on the top of the shower enclosure assembly. Secure the roof and the right and left stationary glass with **Round head screws ST4.2x25 (12)**. See Fig 10 and Fig 11 for details.
13. Install the **Glass shelf (15)** and the **Guardrail (16)** onto the left stationary glass. See Fig 12 for details.
14. Place the **Generator assembly (17)** on the tray; then secure it to the tray with Bolt **M6x25 (with washer) (22)**. Connect the light, fan, speaker wire from the roof to the generator. Connect the steam generator circuits; then connect it to the power supply. See Fig 13 for details. **DO NOT turn power supply on until the water supply, the drain and steam line will be connected.**
15. Connect the flexible hose to the shower head. Secure this item in place on the back panel. Make sure all the water connections are water tight. Put the drain pipe into the drain opening in the floor. Connect hot water to the red mark water inlet and cold water to the blue mark water inlet.

16. Do not move the cabin into the place until you check all the components for any leakage or problems; open each valve to see how it works, check thermostatic or mixer valve for hot and cold water. You may need to tight some connections (during storage and transportation connections may get loose). If you do not see any leakage, then you can move it to the permanent position and finish your project. See Fig 14 and Fig 15 for details.
17. Use the Phillips screwdriver #2 (**do not use power screwdriver**) to adjust the upper wheels, make sure they move smoothly and the doors close tight. Connect the flexible hose to the hand shower. Secure this item in place on the control panel. See Fig 16 for details.
18. Seal with silicone on all connections between the vertical profiles and the back panel, bottom rail and tray, tray and back panel. Let it dray for 24 hours before moving the cabin. See Fig 17 for details.
19. Fig 19 shows the location of the handle. The upper figure is shown the outside of the shower cabin and the bottom figure is shown the inside of the shower cabin.

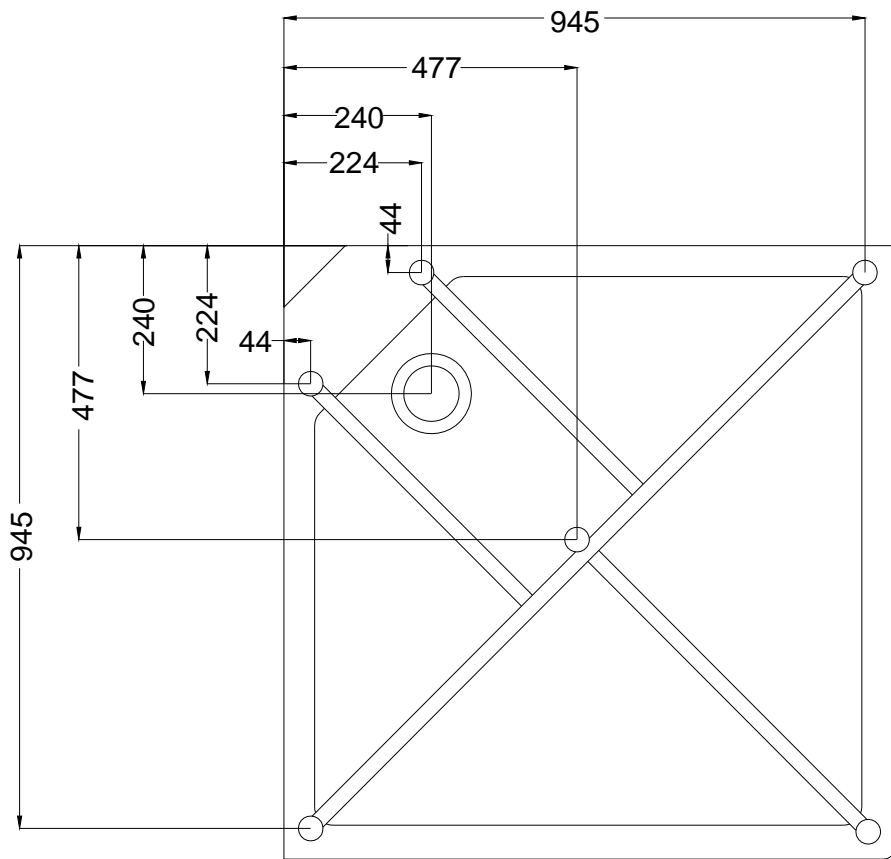


Fig 1 Legs and frame position (top view)

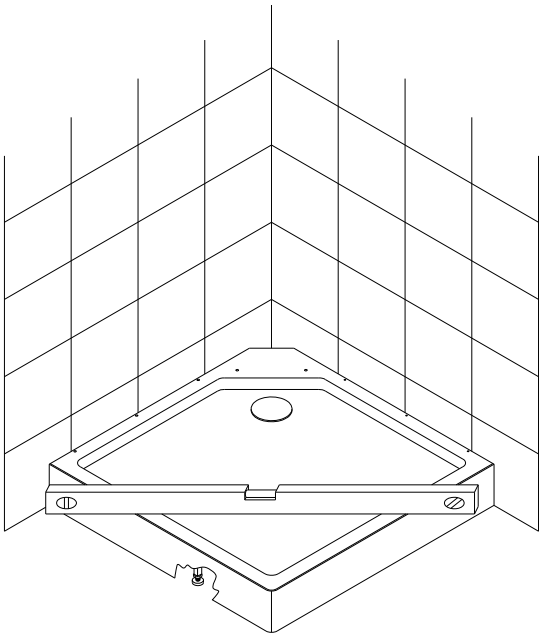


Fig 2

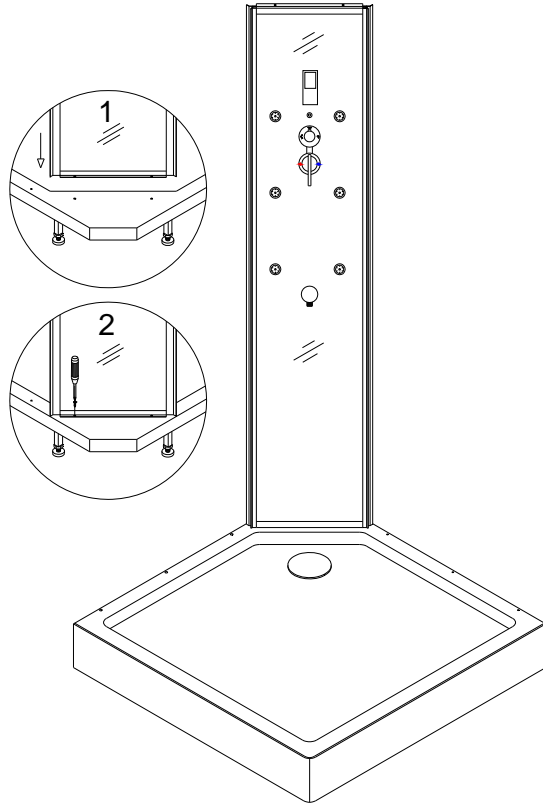


Fig 3

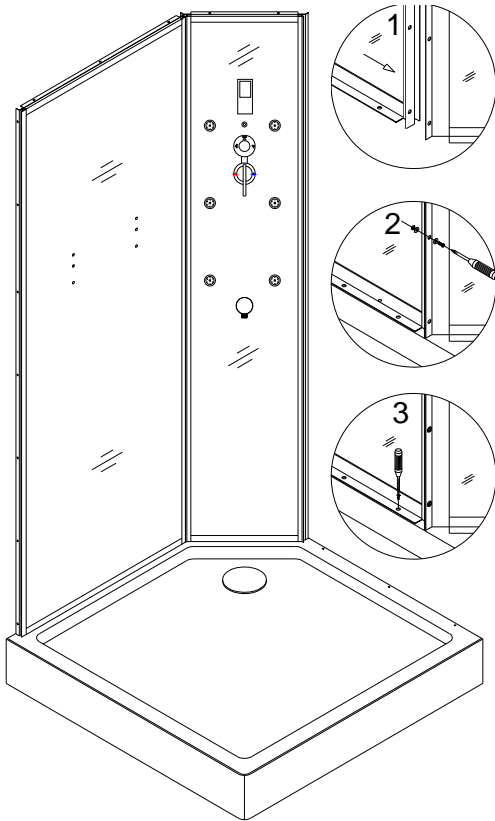


Fig 4

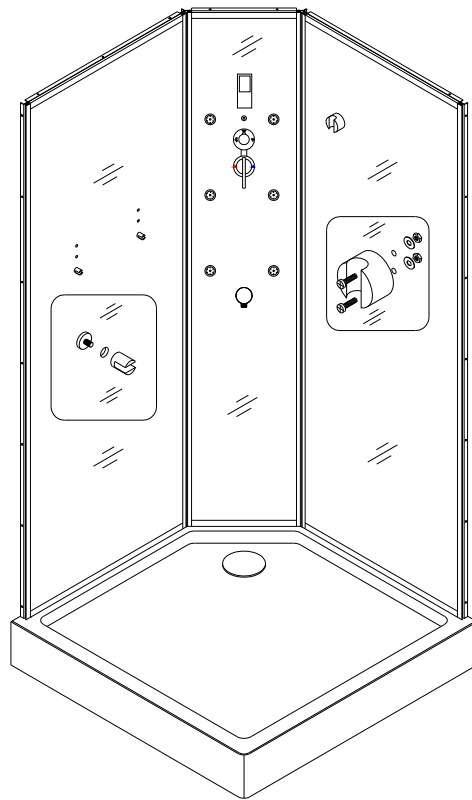


Fig 5

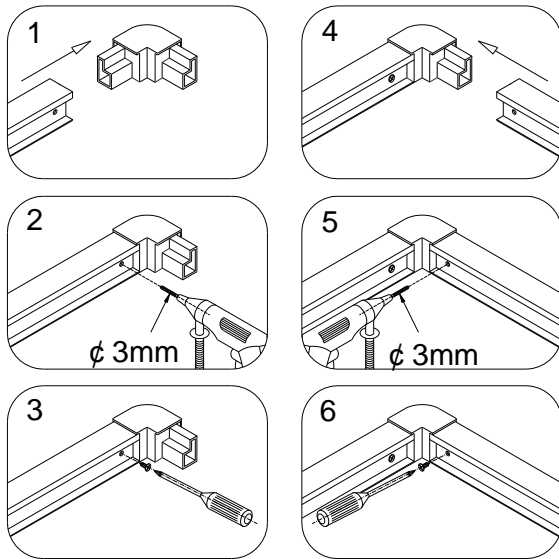


Fig 6

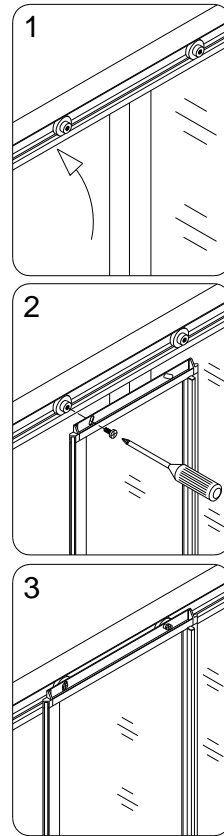


Fig 7

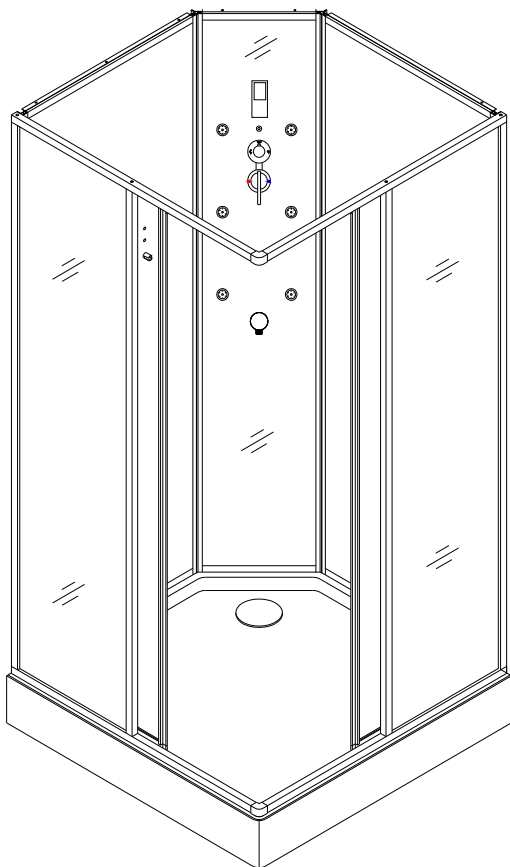


Fig 8

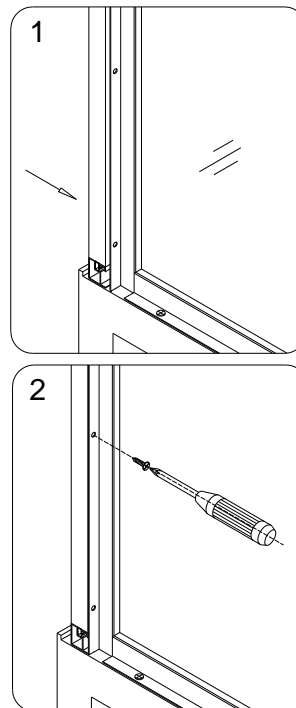
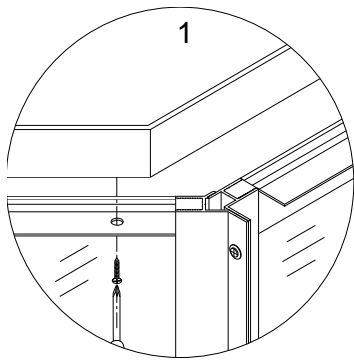
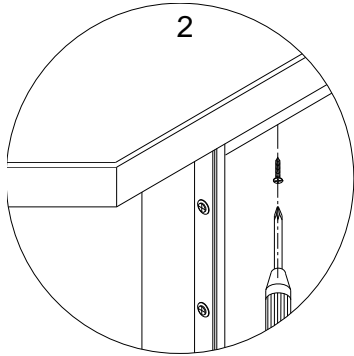


Fig 9



1



2

Fig 10

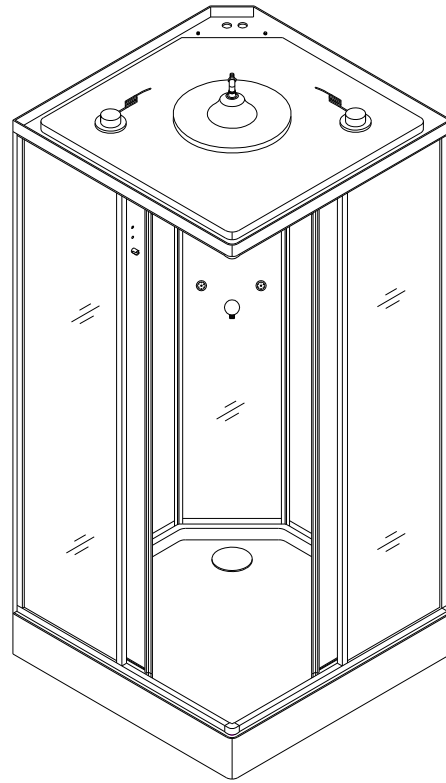
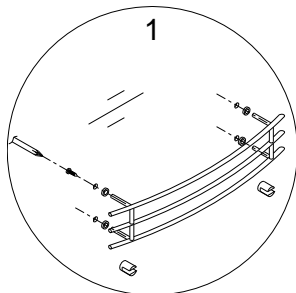
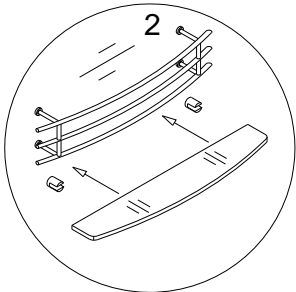


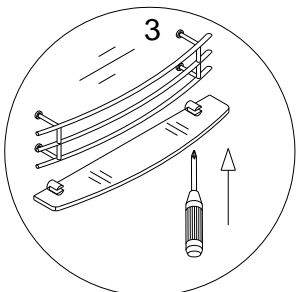
Fig 11



1



2



3

Fig 12

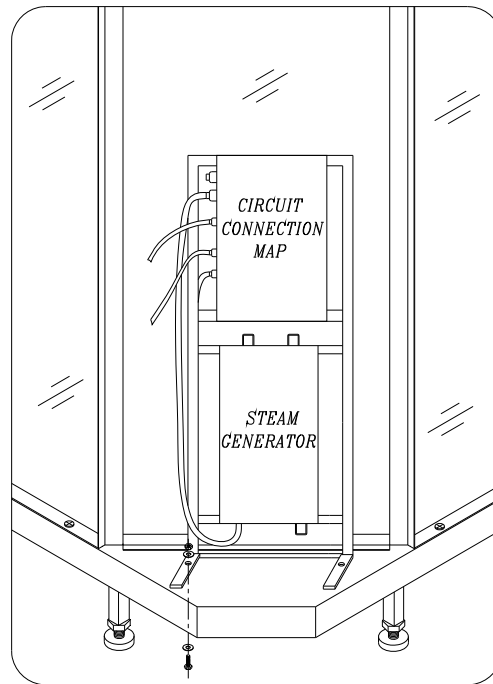


Fig 13

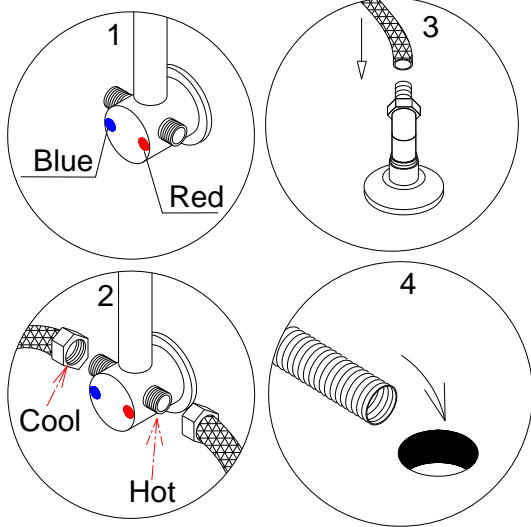


Fig 14

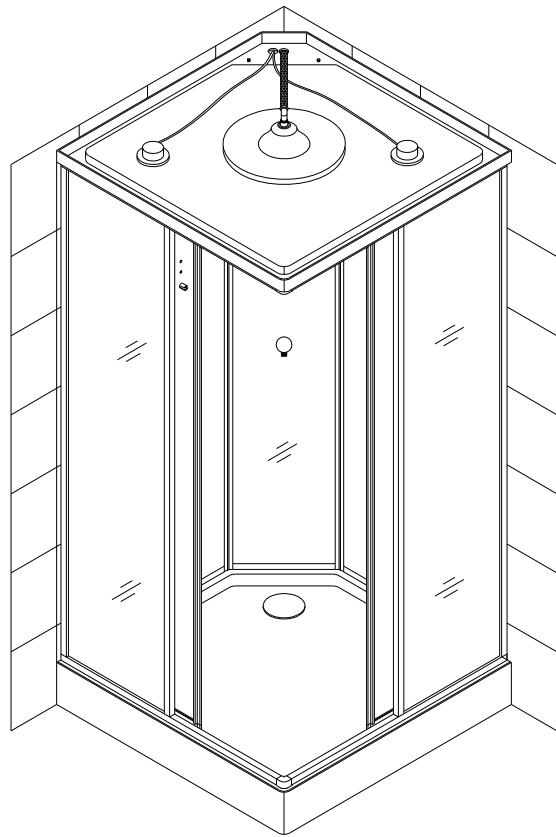


Fig 15

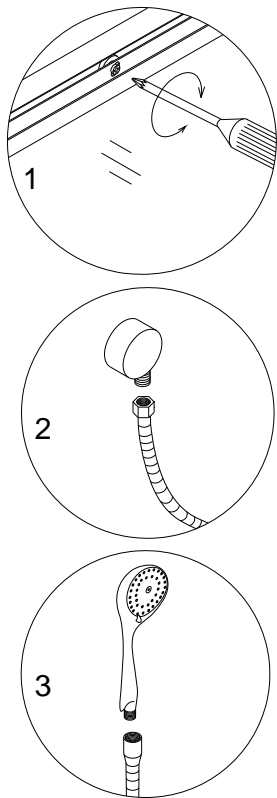


Fig 16

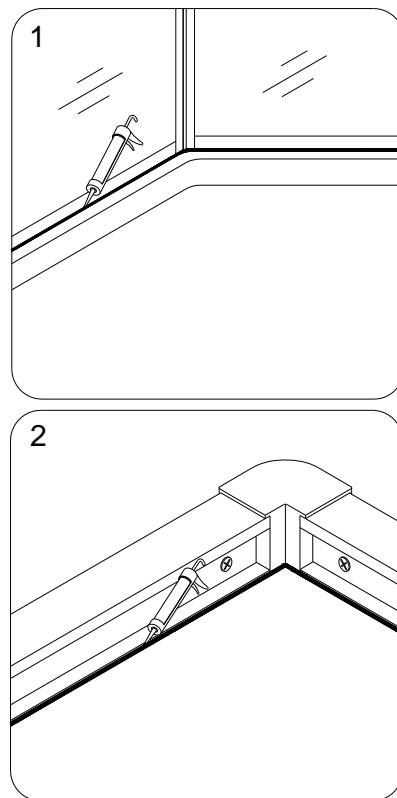


Fig 17

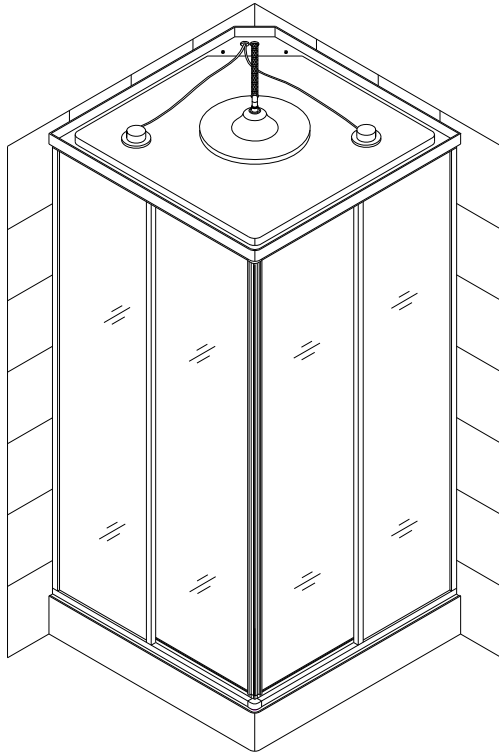


Fig 18

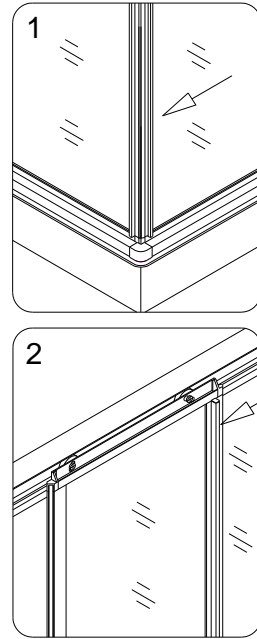
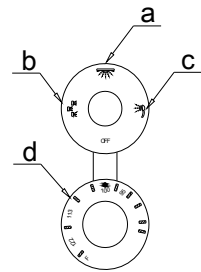


Fig 19

Thermostatic Valve Using Controls

- Valve “a” turns on water of the “tropical rain” head shower.
- Valve “b” turns on water of eight massage jets.
- Valve “c” turns on water of the hand shower. Turn the revolve cover of the shower head will change water pattern.
- Thermostatic valve “d” adjusts water temperature on any valves you are using.



Steam generator control



Function Illustration of the Control Board

Performance

- The control uses a blue color back light liquid crystal display with white back light induction type touching key.
- Turning the steam on will fill the generator with water automatically, when system is shut-down an automatic water draining system turn on.
- Includes steam and light and fan control functions.
- Steam temperature regulation range: Centigrade temperature 30~60C, Fahrenheit 86~140F; Steam time regulation range: 0~60 minutes.
- Automatic temperature controls also include tracking of excess temperature, over pressure and power leakage protection function.

Operation Instructions:

- ✧ Switch-on: Push the power switch, the present cabin temperature is shown on the display, the top light turns on, and the system stays in the state of readiness.
- ✧ Steam: Push the steam key directly to turn steam function on or off.
- ✧ Temperature-set: Push temperature setting key, ambient temperature is shown on the screen. Push the “temperature +” or “temperature –”key to get the wanted steam temperature. The temperature will gradually increase or decrease within 30 ~ 60°C. “Celsius” displays the Celsius temperature; “Fahrenheit” displays Fahrenheit temperature. If the ambient temperature in the cabin is higher than that set by the steam bath temperature, the steam generator can not be started.
- ✧ Time-set: Push the time setting key and the steam generator and control go into the time-set state; and push the “time +” or “time –”key to get desired time of the steam bath. The time range is 5~60 minutes.
- ✧ Lighting: Push the light key, and the light and the fan can be switched on or off.
- ✧ Switch-off: Push the power key and switch off all the functions.

If not using steam options/control for a long time – we suggest that you switch off the main electric power of the units

Warnings

- ◆ Do not connect this steam shower with other electric appliances not recommended by DreamLine™, and do not take apart the hermetically sealed lines or the electric lines from the power box.
- ◆ A drainage pipeline shall be fixed to auto-drain valve of the main steam generator, and it's better to add a water filter before the water entrance to increase generator's service life.
- ◆ The steam generator should be working with water hardness levels 60-120 mg/l. If hardness of your water more than recommended it can cause “scale” (mineral build up in pipes and plumbing fixtures). Scale can cause of your steam unit damage. You need to treat your water. Water softeners are the most frequently used of all water-conditioning devices and are installed for reducing hardness for private wells and utility supply with high levels of calcium or magnesium.
- ◆ The line from the power box shall be plugged according to the digit capacity and the size. Do not short circuit.
- ◆ The steam generator is complicated option and shall be installed by the qualified and authorized technical persons.
- ◆ **DreamLine™ shall not be responsible for negative consequences due to any incorrect installation or improper operations per instructions listed above.**

Product Maintenance

1. Tempered glass can be clean with nonabrasive bathroom cleaner or any glass cleaner you use elsewhere in your home. Rinse off any glass cleaner that gets on the aluminum as soon as possible to avoid damage to the anodized surface. Avoid striking it with any sharp or hard objects. Such damage can cause either immediate or delayed breakage of tempered glass.
2. The aluminum in your shower door is durable and resistant to water damage. It is advisable, but not necessary to wipe it with your towel after your shower. Clean it as often as needed to keep the buildup off. Never use any type of abrasive cleaner. Use only a soft damp cloth and nonabrasive bathroom cleaners.