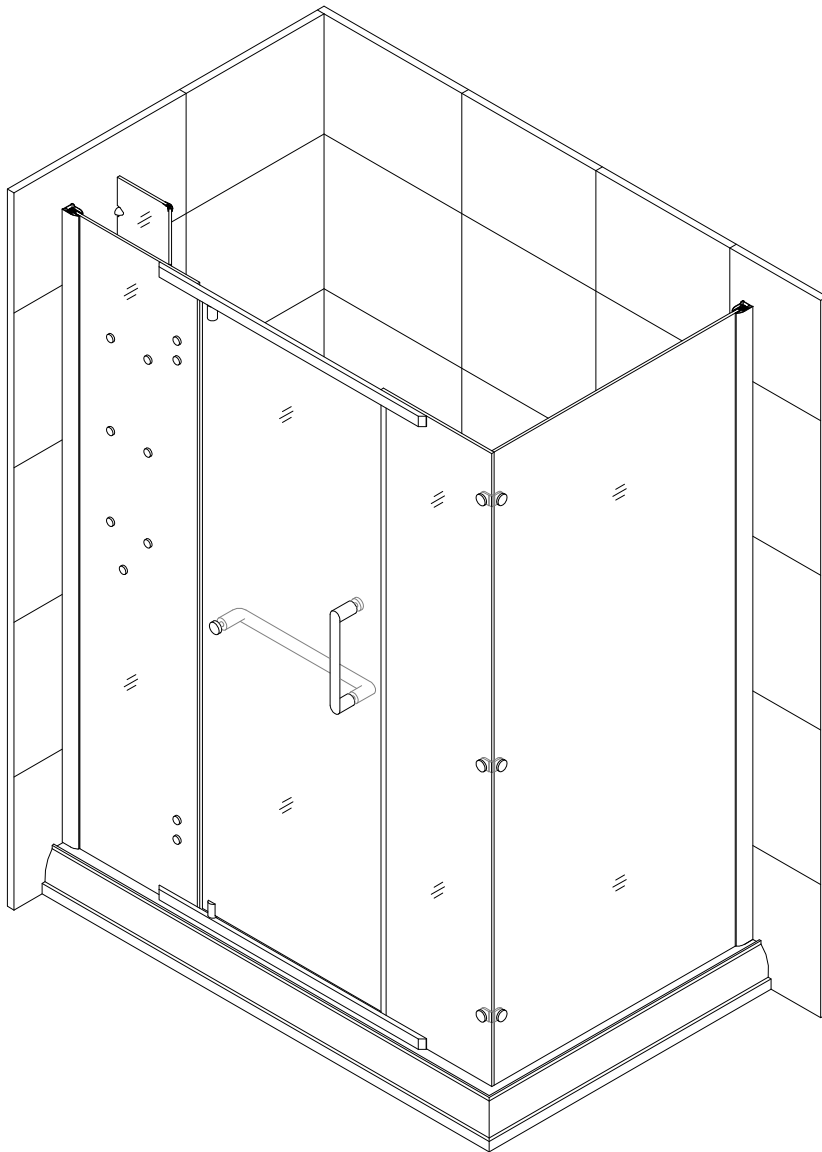




Vista Shower Enclosure Installation Instructions

IMPORTANT

Please read carefully the following instructions before installing your shower enclosure. If you have any questions on this shower enclosure installation - please call our technical support specialists Monday to Friday 9:00AM – 5:00PM EST at 1-866-731-8378 Option 3 or e-mail our technical support group at support@BathAuthority.com

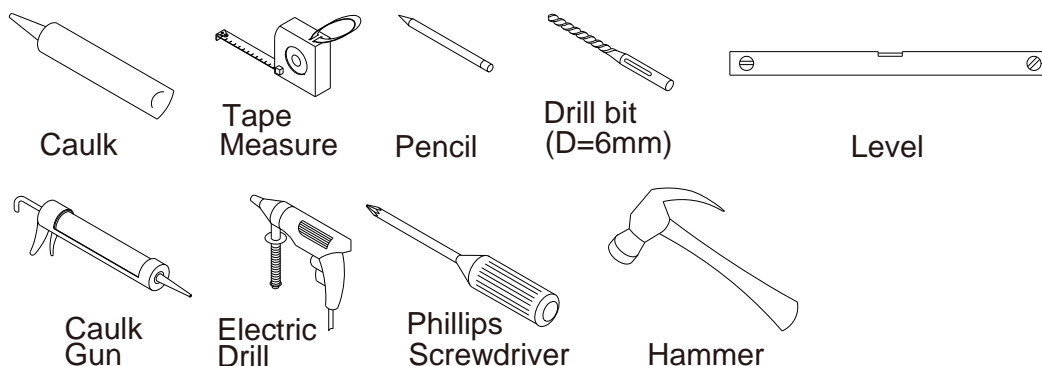


Our product may have changes without prior notice

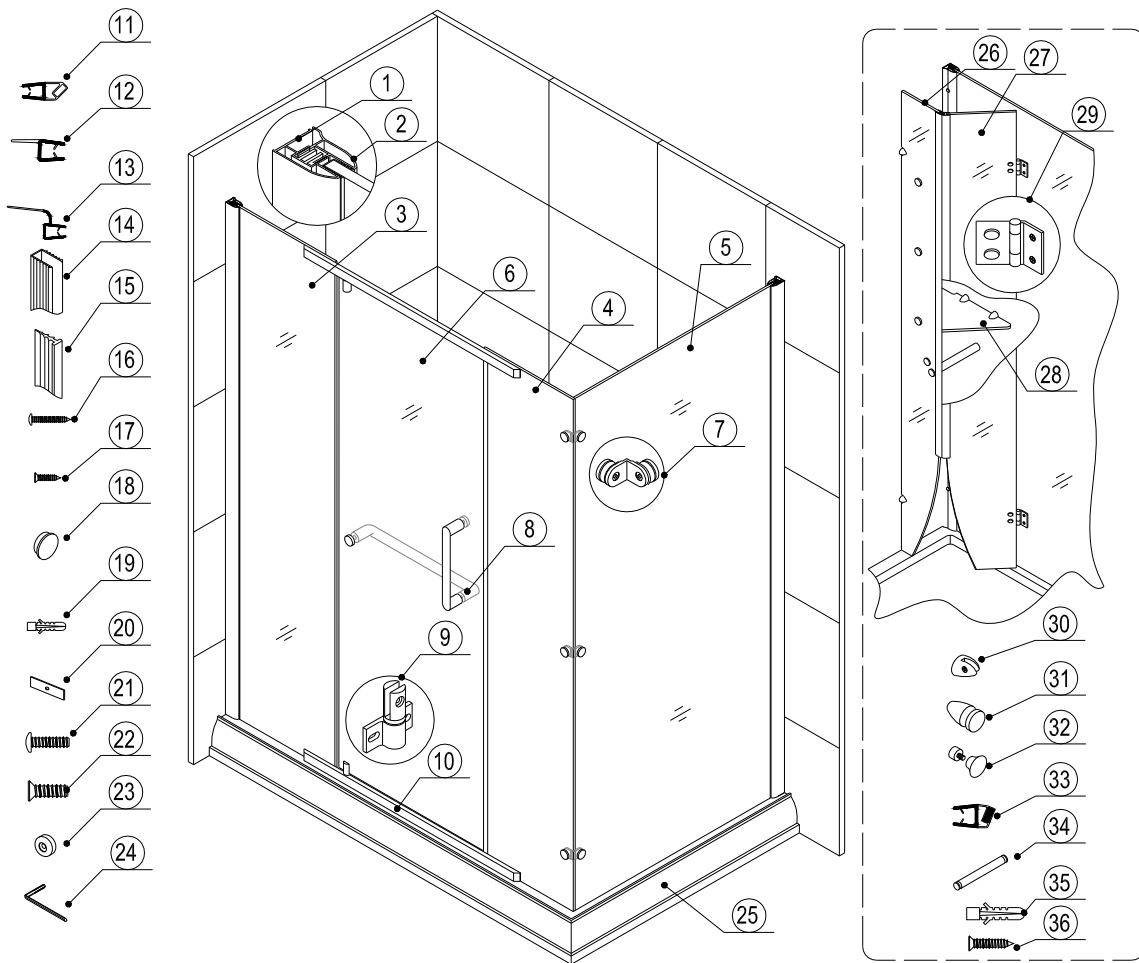
Preparation

1. After opening the boxes, read this introduction carefully, check all the packed parts are complete by cross checking all the components against the “Detailed Diagram of Shower Enclosure Components”. Examine for shipping damage. If the unit has been damaged, has a finishing defect or has missing parts please contact your local distributor within 3 business days. Please note that **Bath Authority™ / DreamLine™ will not replace any damaged product or missing parts free of charge after 3 business days or if the product has been installed.** Contact your distributor or DreamLine if you have any questions.
2. **Please note that you should consult your local building codes on questions on installation compliance standards. Building and plumbing codes vary by location, and DreamLine is not responsible for code compliance standards for your project.**
3. Install all of the required plumbing and drainage before securing the shower. **Use a competent and licensed (if required by local code) plumber for all plumbing installation.**
4. Please insure that prior to the installation the floor is leveled and solid and will be able to support the total weight of the unit and its occupant. Also make sure the walls are at right angles. While some adjustment in leveling of the tray is possible, irregular floor level or improper angle of side walls will result in serious problems for your installation. Please, note that there are some adjustments and drilling might be necessary during the installation process.

Tools Required



Detailed Diagram and Packing List of Enclosure Components



| | | | | | |
|----|---------------------------|-------|----|-----------------------------|-------|
| 01 | Wall profile | 2pcs | 19 | Wall anchor | 8pcs |
| 02 | Glass profile | 2pcs | 20 | Gasket | 4pcs |
| 03 | Stationary glass 1 | 1pc | 21 | Round head bolt M8x12 | 4pcs |
| 04 | Stationary glass 2 | 1pc | 22 | Flat head bolt M8x20 | 4pcs |
| 05 | Stationary glass 3 | 1pc | 23 | Washer | 4pcs |
| 06 | Glass door | 1pc | 24 | Hex wrench | 1pc |
| 07 | Glass bracket | 3pcs | 25 | Bottom tray | 1pc |
| 08 | Handle | 1pc | 26 | Stationary glass | 1pc |
| 09 | Pivot assembly | 2pcs | 27 | Glass door | 1pc |
| 10 | Pivot bar | 2pcs | 28 | Glass shelf | 3pcs |
| 11 | Magnetic strip | 1pair | 29 | Hinge | 2pcs |
| 12 | Bottom anti-water strip | 1pc | 30 | Glass bracket (without nut) | 2pcs |
| 13 | Flanged anti-water strip | 1pc | 31 | Glass bracket (with nut) | 9pcs |
| 14 | U-shape seal gasket | 2pcs | 32 | Handle | 1pc |
| 15 | Single side strip | 1pc | 33 | Magnetic strip | 1pair |
| 16 | Round head screw ST4.2x30 | 8pcs | 34 | Towel bar | 1pc |
| 17 | Flat head screw ST4.2x16 | 8pcs | 35 | Wall anchor | 2pcs |
| 18 | Decorative cover | 8pcs | 36 | Flat head screw ST4.2x25 | 2pcs |
| | | | | | |

After you have checked that all components are there, you will be ready to start the installation of your DreamLine shower enclosure.

Enclosure Installation

Install a shower tray according to the Tray installation manual. You should do it before the wonder board and finish wall installation. The shower enclosure has to be installed after you finish the wall.

1. Start installation from the shorter wall. Locate the **Wall profile (01)** from the package then place it vertically above the tray 32 5/8" (828mm) from the corner to the external edge of the profile. Using a level adjust the profile upright, and then use predrilled into aluminum profile holes to put on marks for drilling. Now drill the holes and insert the **Wall anchors (19)** into the hole. Using **Round head screws ST4.2x30 (16)** to attach the wall profile to wall. See Fig 1 for details.

Be sure that profile is absolutely vertical.

2. Have out the **Stationary glass 1 (03)**. Locate small holes on the stationary glass. These holes must be located toward the door. Place a **U-shape seal gasket (14)** on the long (vertical) side of the glass panel. Push the **Stationary glass 1 (03)** into **Glass profile (02)** groove, then attach the glass profile and the wall profile using **Flat head screws ST4.2x16 (17)** and fasten tightly the profile so to secure the position of the stationary glass. Cover the screw location with **Decorative cover (18)**. See Fig 2 for details.
3. Repeat step 1-2 to install another side wall profile and **Stationary glass 3 (05)** on the long wall 56 5/8" (1438mm) from the corner to the external edge of the profile. Check, if stationary glass installed vertical in both directions with spirit level. See Fig 3 for details.
4. Install the **Glass brackets (7)** onto the **Stationary glass 2 (04)** and the **Stationary glass 3 (05)**. Upper edge of the both stationary glass panels should be on the same level. Push on the seal between the stationary glass 2 and the stationary glass 3. See Fig 4 and Fig 5 for details. You can use the silicone caulk instead **Single side strip (15)**, but do it in the **step 15**.
5. Locate the **Pivot bar (10)**; then locate the parts (20, 22, 23) to fasten the pivot bar to the stationary glass. Use the clear rubber **Gasket (20)** prevent from glass to metal connection. Secure the stationary glass panels with the **Washer (23)** using the **Flat head bolts M8x20 (22)**. See Fig 6 for details.
6. Locate two **Pivot assemblies (09)**. Fasten them to the pivot bar using **Round head bolts M8x12 (21)**. See Fig 7 for details.
7. Remove the back fastener from the pivot assemblies. Set the **Glass door (06)** so the holes are aligned. Make sure the rubber gaskets are in between the glass and the metal parts. Secure the back fastener with the provided bolt. Repeat the same steps for the second pivot assembly. After the pivot assemblies are installed open and close the door to make sure it's aligned. See Fig 8 for details.
8. Push on the **Magnetic strips (11)** on the glass door and the **Stationary glass 2 (04)**, the **Bottom anti-water strip (12)** and the **Flanged anti-water strip (13)** to seal between the glass door and the **Stationary glass 1 (03)**. See Fig 9 for details.
9. Install the **Handle (08)** to the glass door. Locate the vertical handle and the horizontal handle. The horizontal handle will be on the outside and the vertical handle will be on the inside of the door. Start the installation from the outside which will involve the

horizontal handle first. Don't forget to use the rubber gaskets between the glass and washers. See Fig 10 for details.

10. Install the **Glass brackets (without nut) (30)** onto the **Stationary glass (26)**. See Fig 11 for details.
11. Refer to Fig 14 to mark the drill holes for the **Glass brackets (without nut) (30)**. Make sure the mark is clear and visible. Drill the holes and install **Wall anchors (35)** in the marks that you created. Using **Flat head screws ST4.2x25 (36)** to attach the **Glass brackets (without nut) (30)** to the wall. See Fig 12 and Fig13 for details.
12. Install the **Glass brackets (with nut) (31)** onto the **Stationary glass 3 (05)** and the **Stationary glass (26)**. Install the **Glass shelf (28)** and the **Towel bar (34)** to the stationary glasses. See Fig 14 and Fig 15 for details.
13. Install the **Hinges (29)** onto the **Stationary glass (26)** and the **Glass door (27)**. After the hinges are installed open and close the door to make sure it's nice and smooth. Install the **Handle (32)** to the **Glass door (27)**. Push on the **Magnetic strips (33)** on the **Stationary glass (26)** and the **Glass door (27)**. See Fig 16 and Fig 17 for details.
14. Apply silicone sealant along the wall profiles and along the bottom of the stationary glass as well as along the pivot bar. See Fig 18 for details.

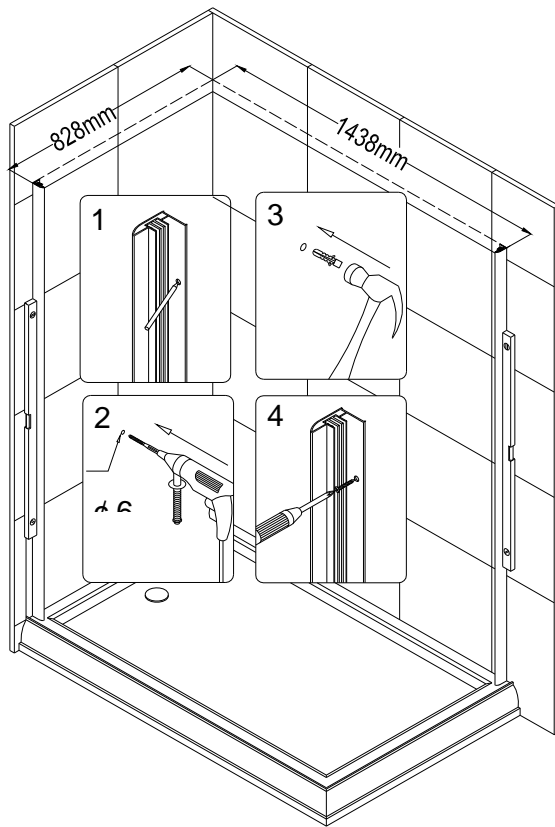


Fig 1

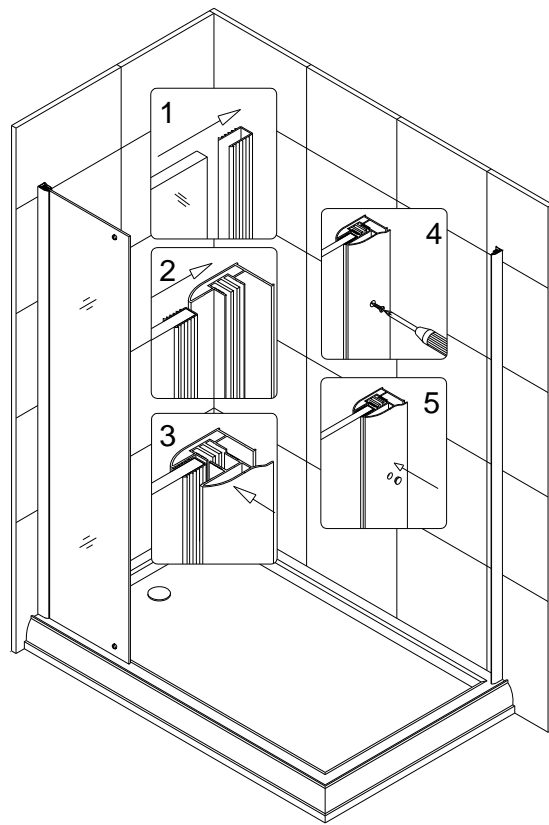


Fig 2

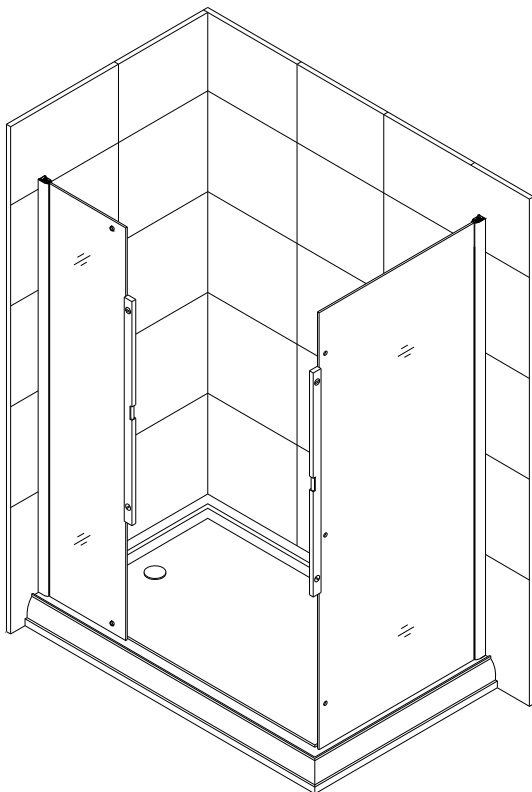


Fig 3

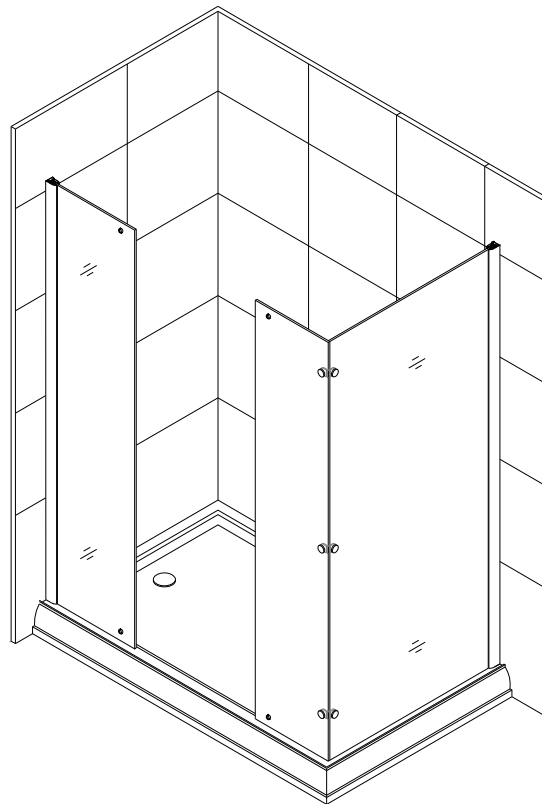


Fig 4

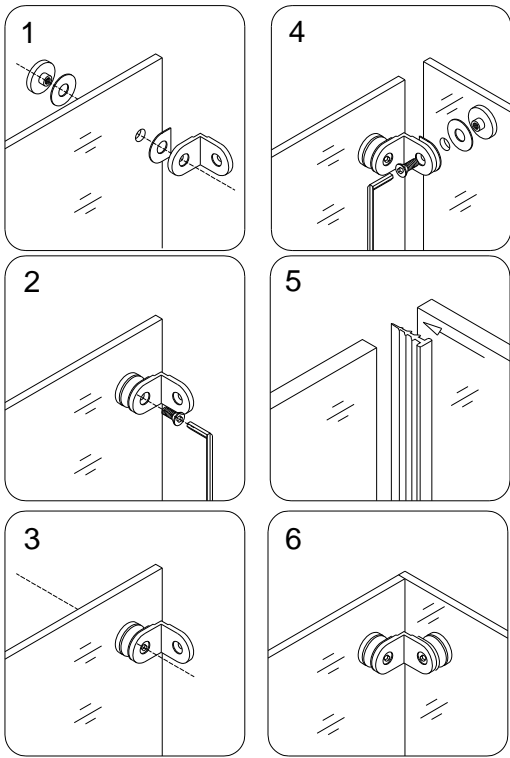


Fig 5

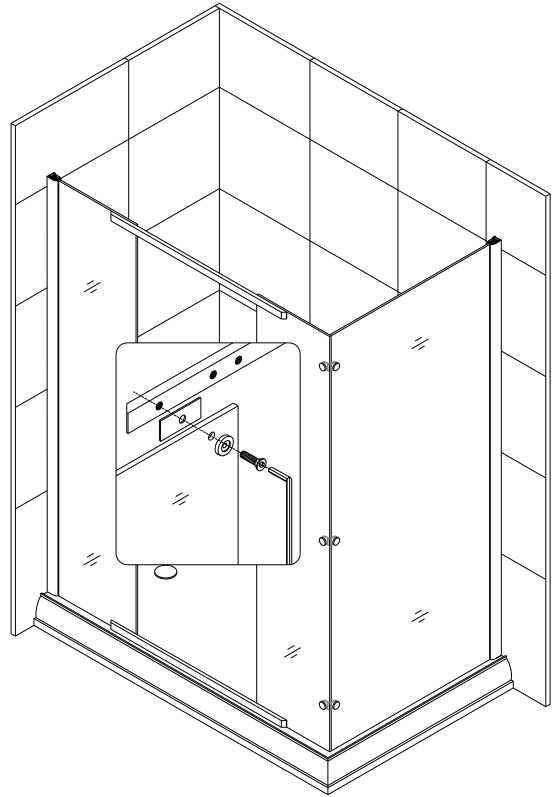


Fig 6

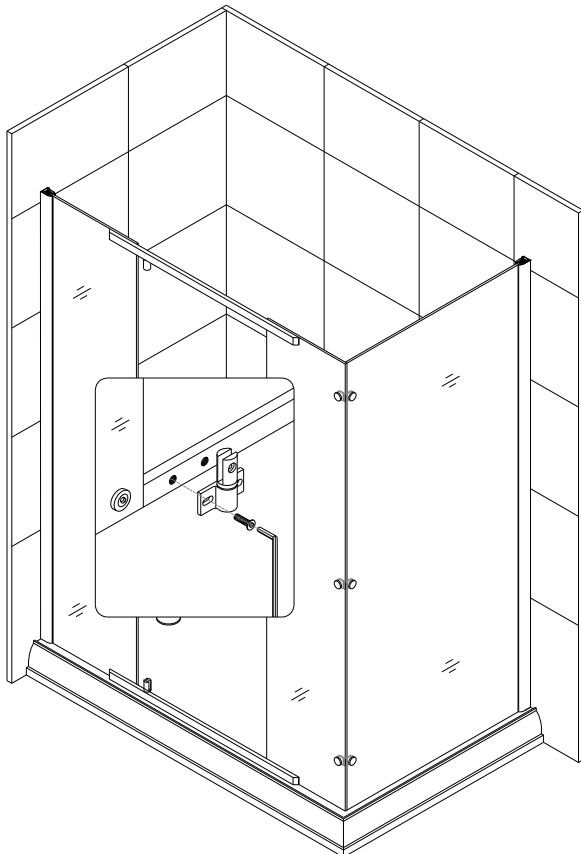


Fig 7

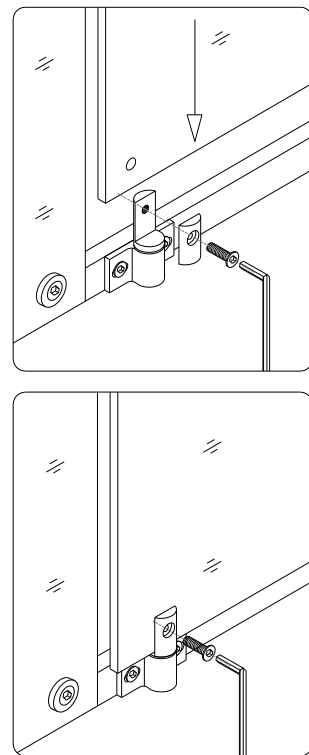


Fig 8

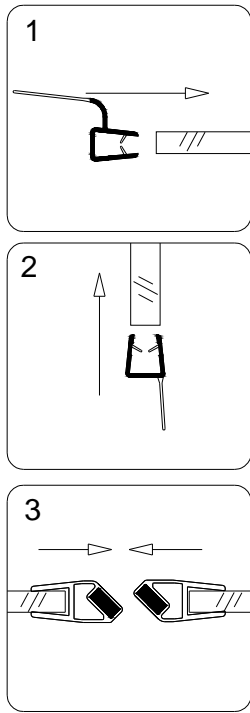


Fig 9

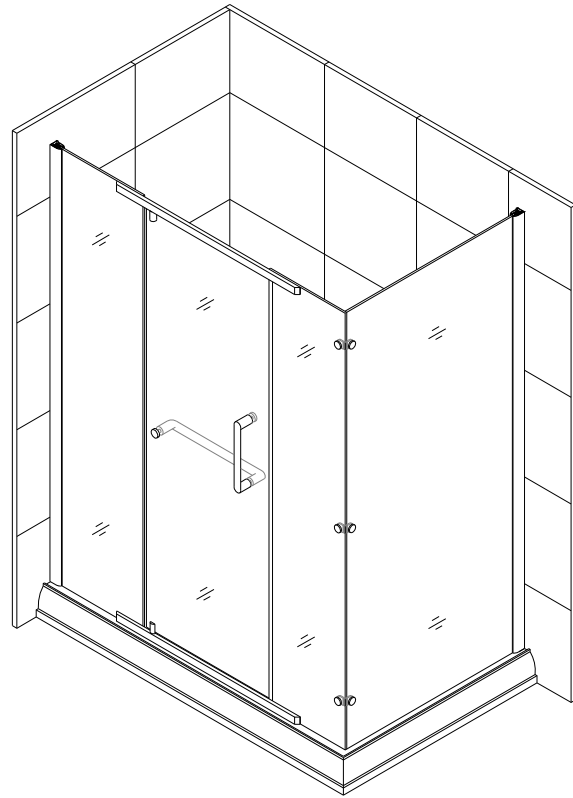


Fig 10

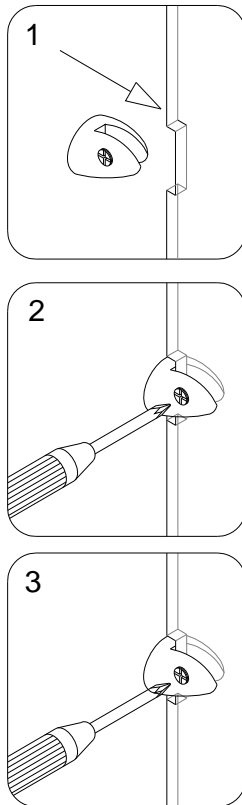


Fig 11

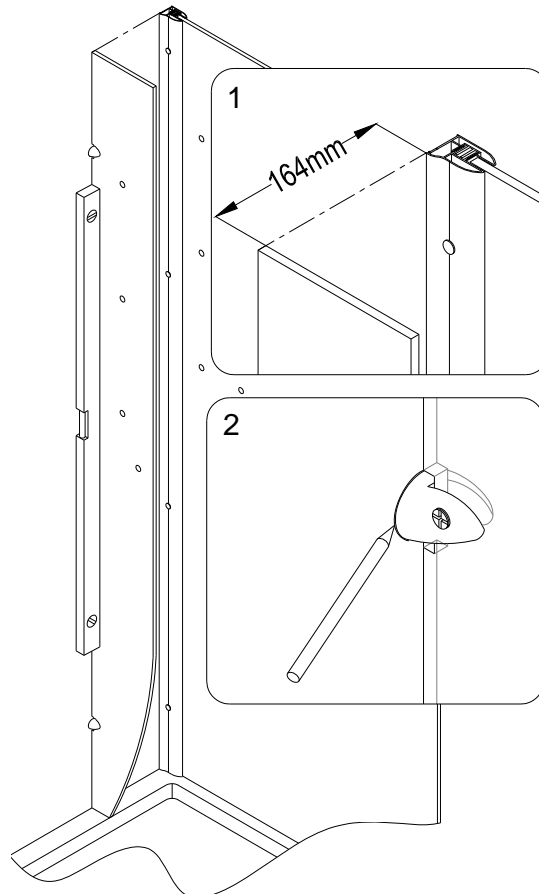


Fig 12

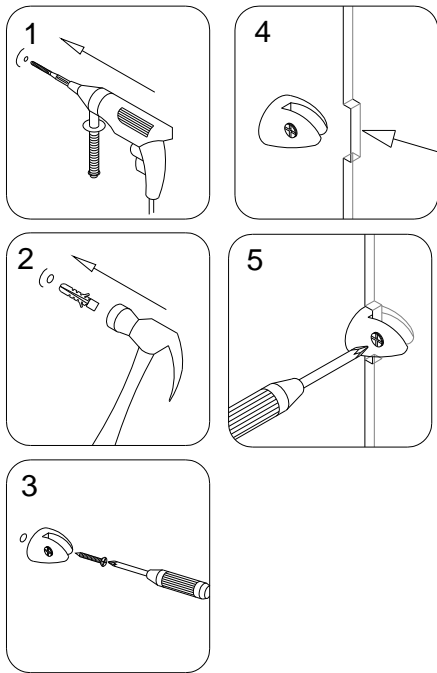


Fig 13

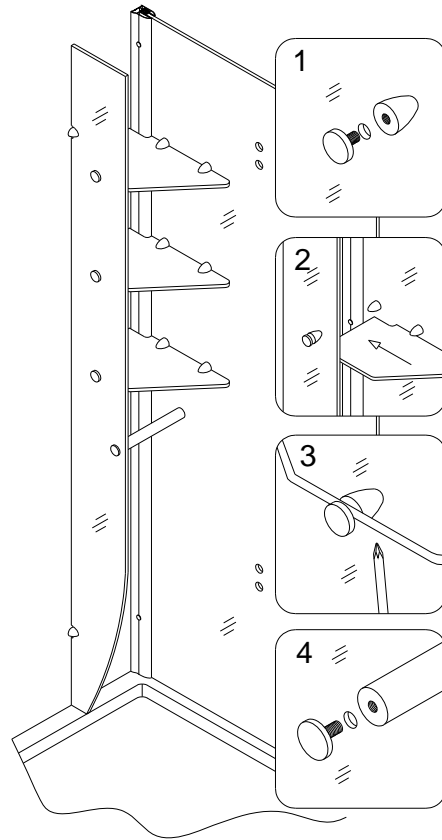


Fig 14

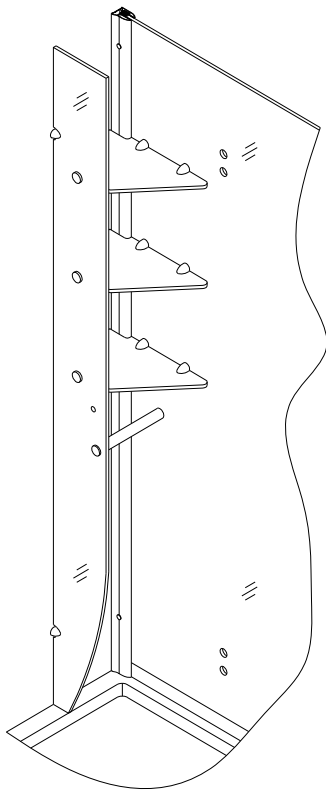


Fig 15

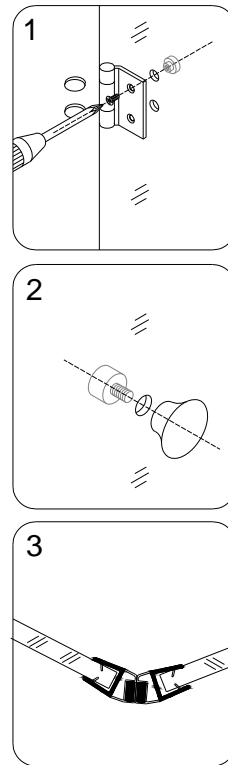


Fig 16

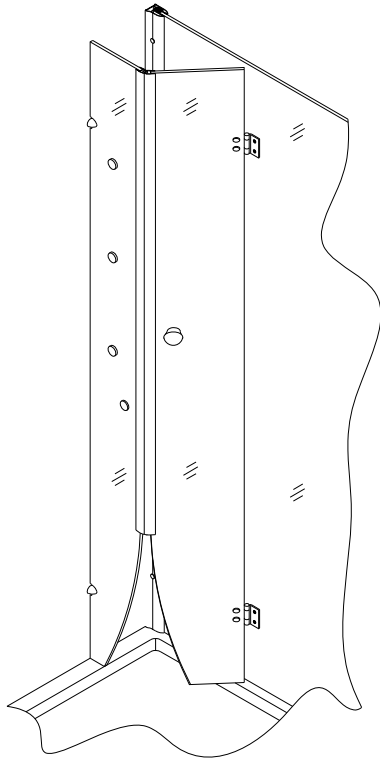


Fig 17

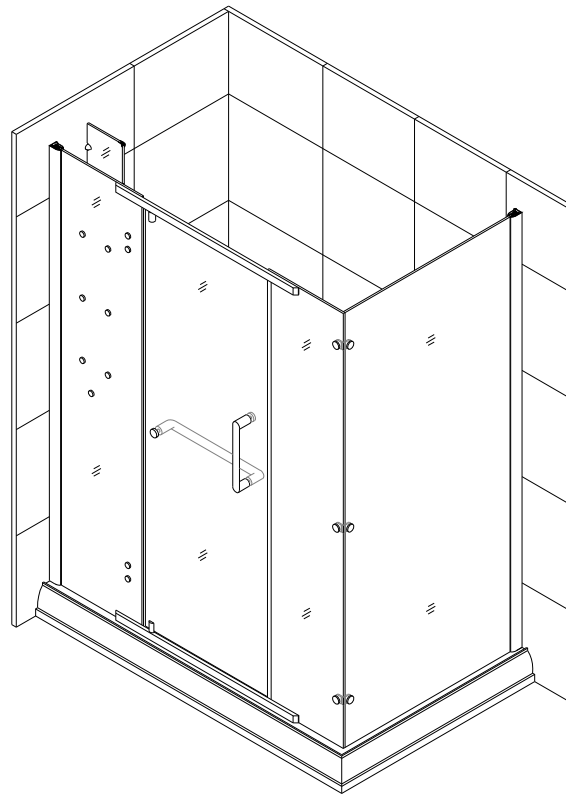


Fig 18

Product Maintenance

1. Tempered glass can be clean with nonabrasive bathroom cleaner or any glass cleaner you use elsewhere in your home. Rinse off any glass cleaner that gets on the aluminum as soon as possible to avoid damage to the anodized surface. Avoid striking it with any sharp or hard objects. Such damage can cause either immediate or delayed breakage of tempered glass.

2. The aluminum in your shower door is durable and resistant to water damage. It is advisable, but not necessary to wipe it with your towel after your shower. Clean it as often as needed to keep the buildup off. Never use any type of abrasive cleaner. Use only a soft damp cloth and nonabrasive bathroom cleaners.