



Exclusive factory applied DreamLine™ ClearGlass™ coating provides superior protection by preventing mineral deposits, soap film and dirt from forming on the glass.



ENIGMA-X™ SHOWER ENCLOSURE

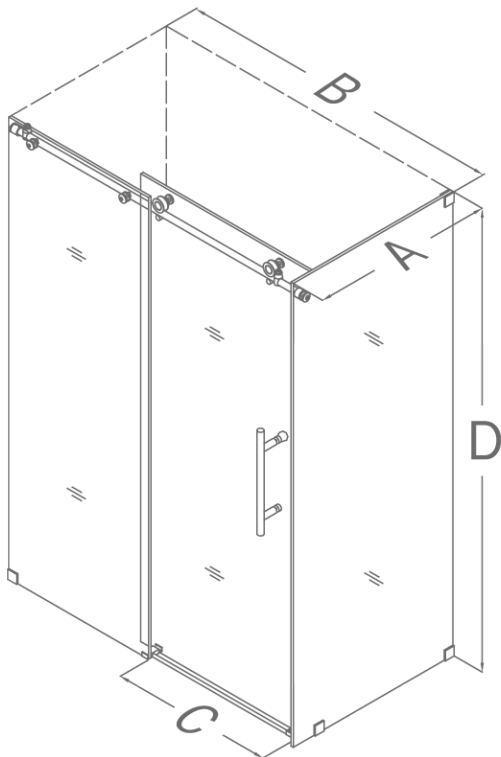


SHOWER ENCLOSURE ENIGMA-X™

CHIC URBAN STYLING MEETS UNPARALLELED QUALITY



The ENIGMA-X shower enclosure stuns with an elegant frameless design that rivals custom glass for an amazing value. The sophisticated stainless steel hardware is a perfect mix of exceptional quality and cool urban style. Premium 3/8" thick tempered glass is treated with DreamLine exclusive ClearGlass™ protective coating for superior protection and easy maintenance. The ENIGMA-X commands attention with extreme style and ultimate quality.



A	B	C WALK IN	D
32-1/2"	48-3/8"	20"	76"
34-1/2"	48-3/8"	20"	76"
34-1/2"	60-3/8"	26"	76"



STAINLESS STEEL WHEEL ASSEMBLY



PREMIUM 3/8" THICK TEMPERED GLASS

- Advanced fully frameless glass design
- Premium 3/8" (10mm) thick tempered clear glass
- Stainless steel hardware available in polished or brushed finish
- Effortless single sliding door operation
- Anti-splash lip prevents water spills
- DreamLine exclusive ClearGlass protective anti-limescale coating
- Reversible for right / left corner installation
- Shower enclosure width can be adjusted during installation up to 4"
- No adjustment for out-of-plumb walls
- Optional SlimLine™ shower base available
- Requires a minimum shower threshold depth of 2-3/4"
- **Professional installation required**



Visit [PARTNER PORTAL](#) for the latest dealer news and updates

Visit WWW.BATHAUTHORITY.COM for detailed product information
Tel: 866.731.8378 | Fax: 866.227.9245 | info@bathauthority.com

